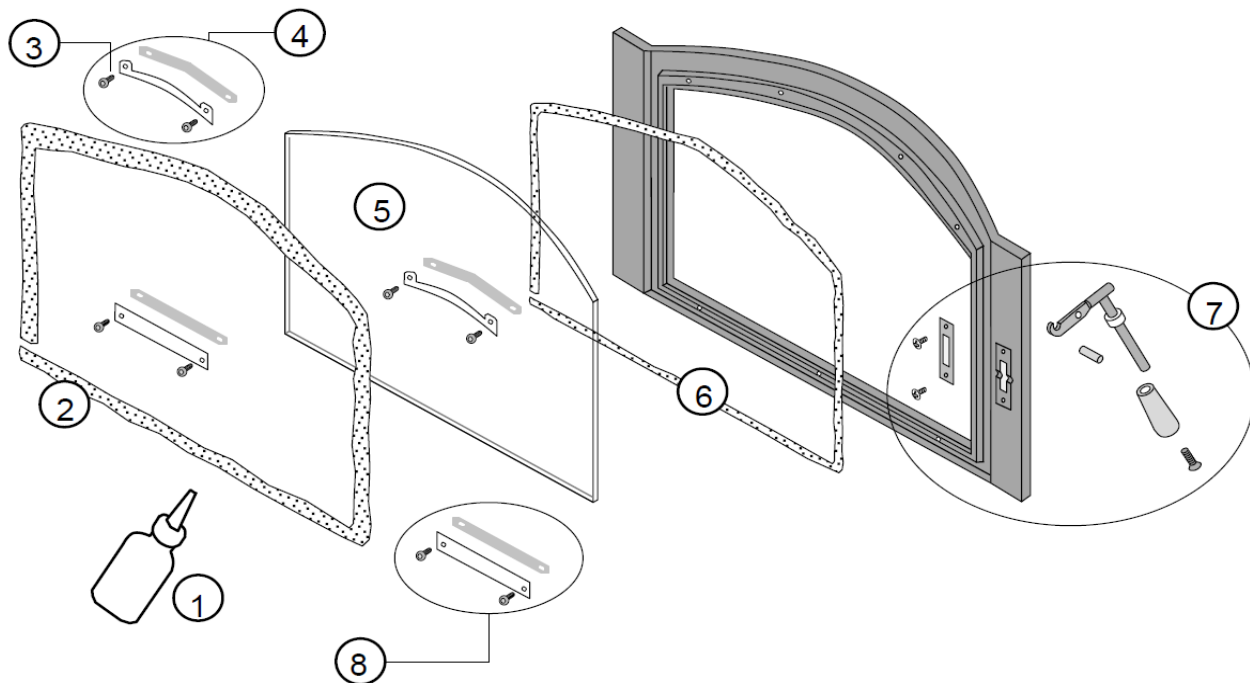


CAPE COD SPARE PARTS - MAY 2016

Door Parts



Pricing shown excludes freight and installation. Pricing may vary depending on area.

Pricing includes GST.

ID #	Description	Qty	Part #	\$	Other Detail
1	Gasket Cement	1			Contact your Lopi Dealer
2	Door Gasket	1	250-02832	\$ 40	
3	Screws (8) 8-32 x 1/2" Torx	1	225-20039	\$ 15	Pack of 8
4	Upper Glass Clips with Gasket (2)	1	250-03515	\$ 33	
5	Cape Cod Glass	1	250-02725	\$225	
6	Glass Gasket	1	250-02184	\$ 15	
7	Door Handle Assembly	1	250-02196	\$ 41	
8	Lower Glass Clips with Gasket (2)	1	250-03514	\$ 33	

Replacing the Glass



The glass must not contact the door retainer or glass clips directly. The glass gasket and glass clip gaskets insulate the glass to prevent cracking. Do not over-tighten the glass clips. Do not use substitute materials.

Replacing the Door Gasket

The door gasket inserts into the outer groove of the door, and is held in place with RTV high-temperature silicone. Before installing, remove any residual cement. Lay the gasket in place (start at the lower right corner) and cut off any excess gasket.

NOTE: Do not stretch the gasket. You may need to open and close the door repeatedly to get the gasket to seat fully.

Replacing the Door Handle

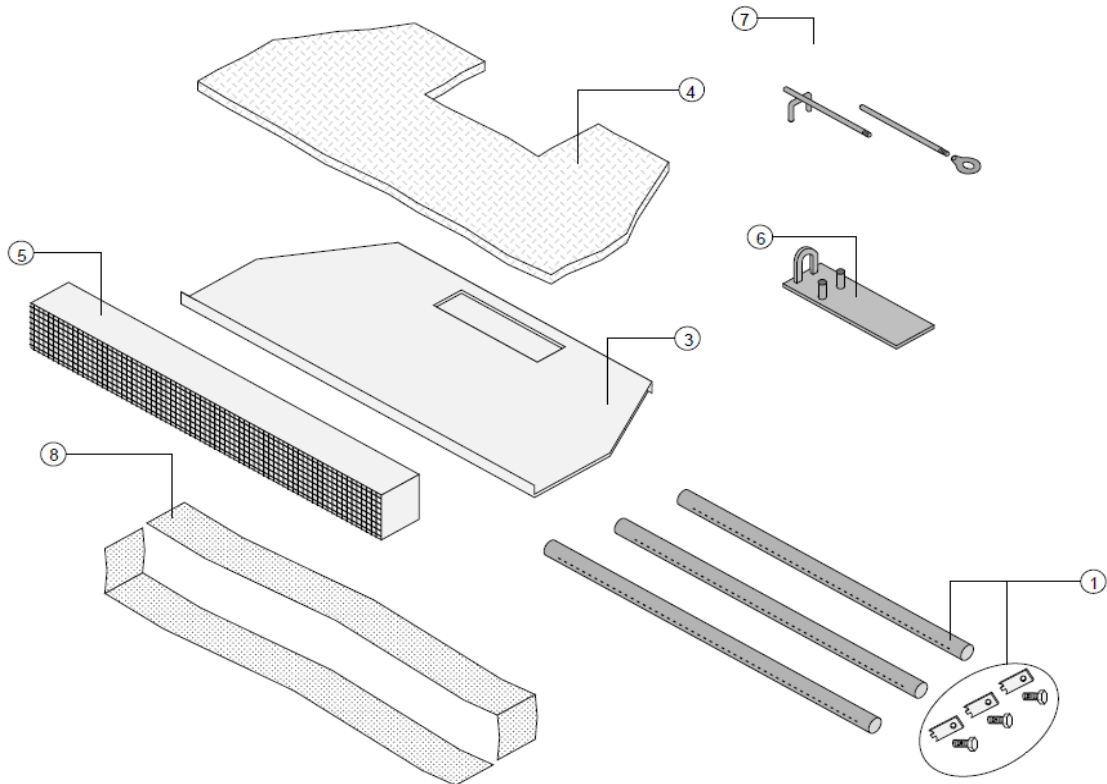
See the illustration above for a component list (see page 31 for details on adjusting the door).

Removing the Door

To remove the door, open the door, then remove the four hex screws securing the hinges and remove the door and hinges as one assembly (see page 31 for details on removing the door).

NOTE: It will be helpful to have another person hold the door in place while removing the screws.

Firebox Parts



Pricing shown excludes freight and installation. Pricing may vary depending on area.

Pricing includes GST.

ID #	Description	Qty	Part #	\$	Other Detail
1	Secondary Air Tubes with Pins	3	98900244	\$ 118	
3	Baffle Plate	1	250-02642	\$ 103	
4	Baffle Insualtion	1	250-02641	\$ 33	
5	Catalytic Combustor with Gasket	1	250-02489	\$ 367	
6	Damper Slider	1	250-02639	\$ 41	
7	Damper Yoke	1	250-02640	\$ 26	
7	Damper Extension Rod with Pull Ring	1	250-00006	\$ 19	
8	Combustor Gasket (2)	1	250-02643	\$ 26	

Baffle Removal & Replacement



The baffle is held up by the 3 air tubes. Make sure to support the baffle while removing the air tubes.

- Remove the air tubes and baffle.

Andiron Removal

The andirons are held in place with a 7/16" bolt. Remove the screw from each andiron and lift the andiron from its housing to remove.

