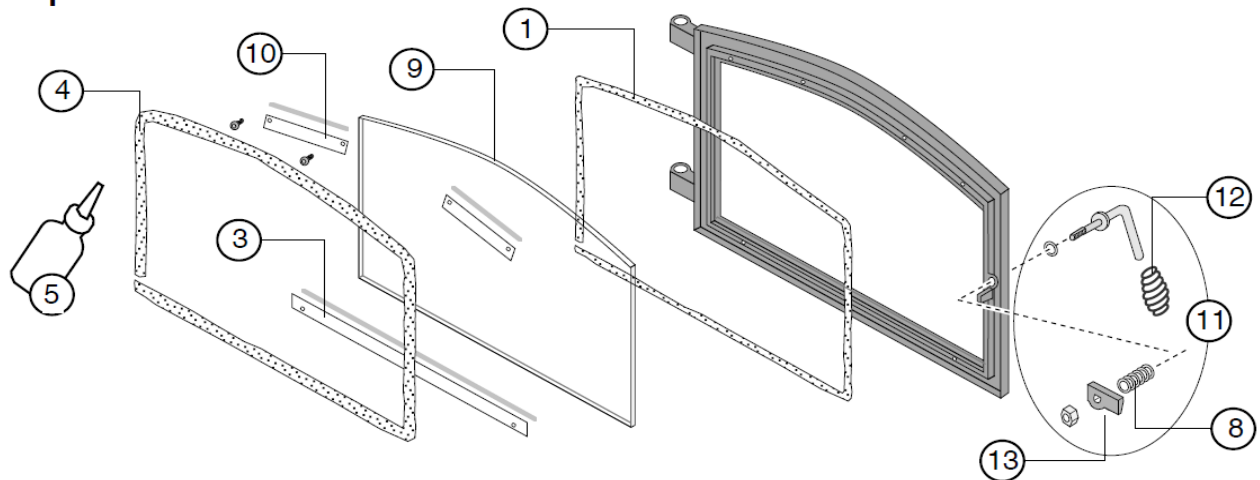


REPUBLIC 1750 SPARE PARTS - MAY 2016

Lopi Republic Door



Pricing shown excludes freight and installation. Pricing may vary depending on area.

Pricing includes GST.

ID #	Description	Qty	Part #	\$	Other Detail
1	Glass Gasket	1	250-00173	\$ 19	
3	Glass Clip with Gasket - 3 Hole	1	250-00174	\$ 14	
4	Door Gasket	1	99900406	\$ 40	
5	RTV High Temp. 600deg Silicone				See your LOPI Dealer
8	Door Washer	1	250-00364	\$ 8	
9	Republic Glass	1	250-00172	\$130	
10	Glass Clip with Gasket and Screws - 2 Hole (2)	1	250-00175	\$ 15	
11	Door Handle Assembly	1	250-00171	\$ 48	
12	Door Handle Spring	1	250-00373	\$ 15	
13	Door Cam	1	250-00598	\$ 19	
	Hex Nut, Steel 3/8-16 -Jamb-Lock	1	250-00966	\$ 15	Pack of 4

Replacing the Glass



The glass must not contact the door or glass clips directly. The glass gasket and glass clip gaskets insulate the glass to prevent cracking. Do not over-tighten the glass clips.

Place the door front side down. Insert the glass gasket into the groove along the inside perimeter of the door. Place the glass on top of the gasket and secure with the glass clips.

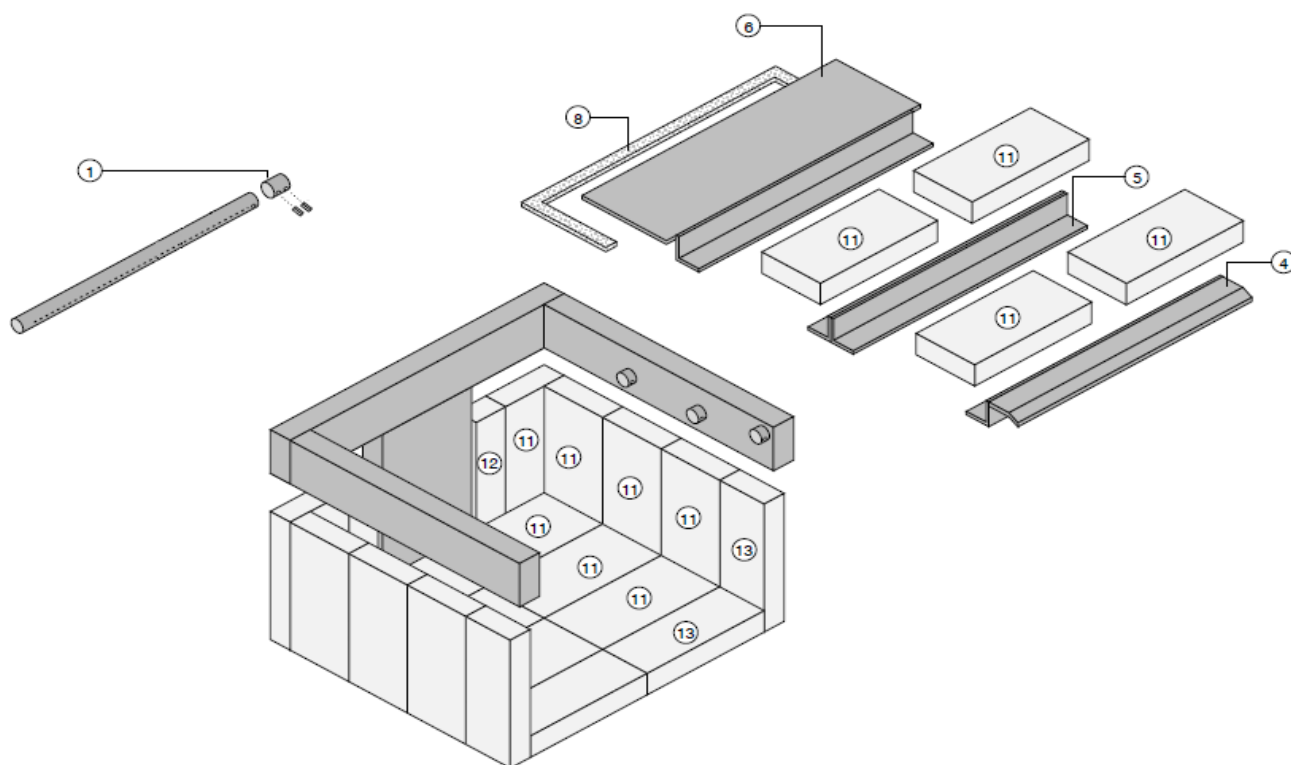
Replacing the Door Gasket

The door gasket inserts into the outer groove of the door and is secured with RTV high-temperature 600° silicone. Before installing, remove any residual silicone. Lay the gasket in place (start at the lower left corner) and cut off any excess gasket (do not stretch the gasket. The cement fully cures with heat from the stove. You may need to open and close the door repeatedly to get the gasket to seat fully.

Replacing the Door Handle

See the illustration above for a component list (see pg. 28 for details on adjusting the door).

Firebox Parts



Pricing shown excludes freight and installation. Pricing may vary depending on area.

Pricing includes GST.

ID #	Description	Qty	Part #	\$	Other Detail
1	Air Tube with Sleeve and Roll Pins	1	98900233	\$ 41	
4	Baffle Support, Front	1	99900251	\$ 52	
5	Baffle Support, Rear	1	99900250	\$ 52	
6	Baffle Plate	1	250-00203	\$ 81	
8	Gasket, Baffle Plate	1	91001701	\$ 15	
11	Brick - 9" x 4.5" uncut (Single)	18	251-00000	\$ 23	Each
11	Brick - 9" x 4.5" uncut (Box of 8)		99900102	\$ 90	Per Box of 8
12	Brick - 9" x 2" cut	2	251-00021	\$ 23	Each
13	Brick - 9" x 3.687" cut	2	251-00022	\$ 23	Each

Floor and Side Firebrick Removal & Replacement

Do not pry firebrick - they chip and crack easily. Remove the floor firebricks first. The side firebricks are removed later because they are pinned in place by the floor firebrick. Clean the firebox prior to replacing the firebrick.