

Compatibility:

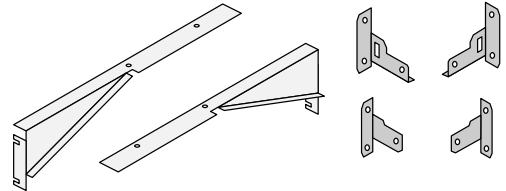
- 564 SS & DF Fireplace
- 564 HO Fireplace
- 564 564 EF-I Fireplace

Packing List:

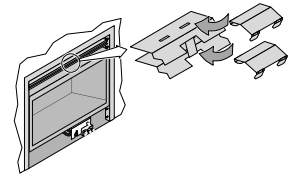
- Face
- (4) 8-32 Nuts
- (2) 564 SS Top Brackets (w screws)
- (2) 10-24 1-1/2" Screws



The FPX Face Upgrade Kit (98500683) must be installed prior to installing the facing material and face.



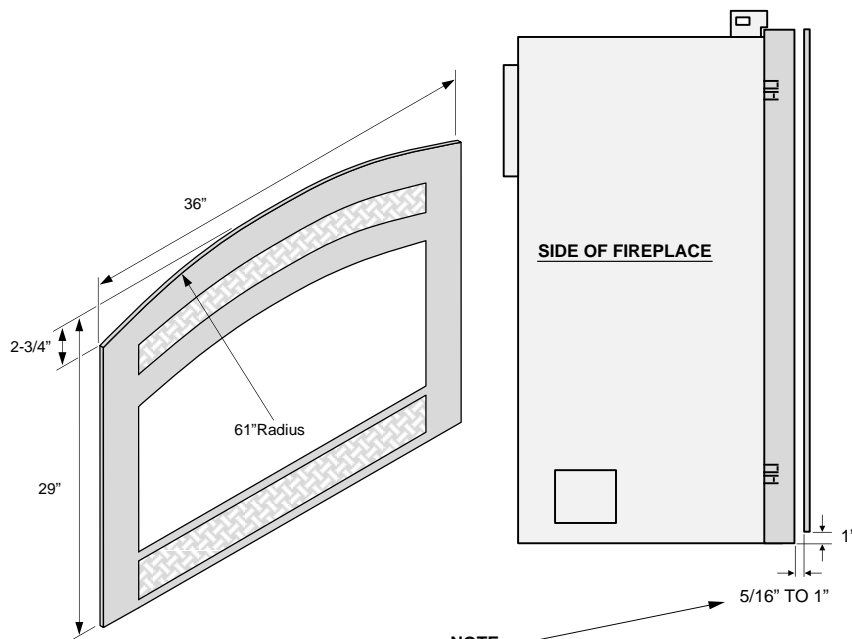
The center deflectors must be in place when using this face to prevent the facing above the fireplace from becoming too hot. If this face is replacing a Lopi Grill (96200801), make sure to replace the center deflectors.



Hand-Rubbed Patina Finishes

The optional patina finish is hand applied by a skilled artisan to permanently alter the metal colors and texture of the face. Each face is individually hand-polished and fired in an oven which imparts unique color subtleties with no two finishes alike. The patina finish on your face is a "living" color and will age and antique over time. Enjoy the timeless, rich luster of your beautiful new face.

Installation Details – 564 SS, DF, HO

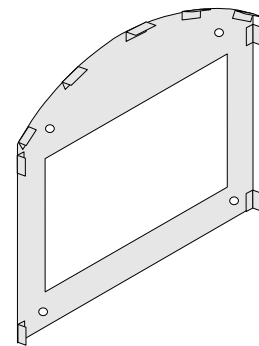


NOTE:

This face has an adjustable bracket that allows for different facing depths to be tucked under the face.

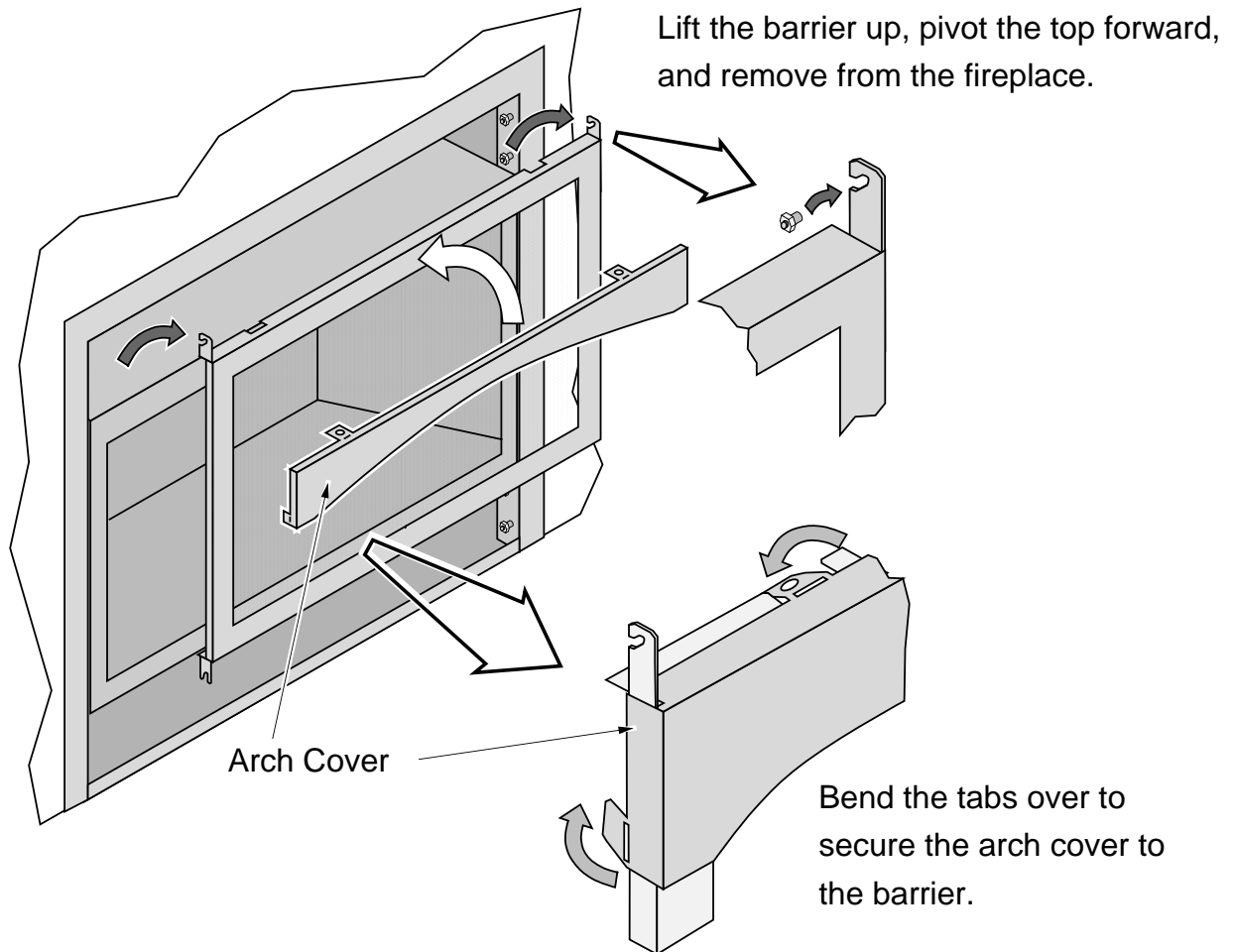
NOTE FOR THICK FACING (BRICK, ROCK, ETC.):

The Fireplace Xtrodinair 564 Set-Up Face is recommended for masonry installation (98500674). The set-up face helps locate and support the masonry during installation.



Installation

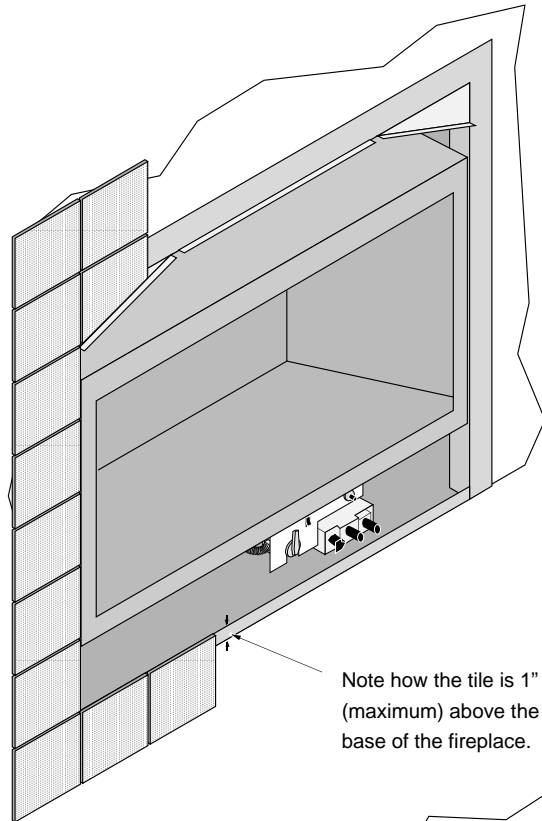
- 1 Remove the glass barrier screen (see owner's manual for details). Secure the arch cover to the barrier following the directions below (arch cover is shipped with the fireplace). Replace the glass barrier.



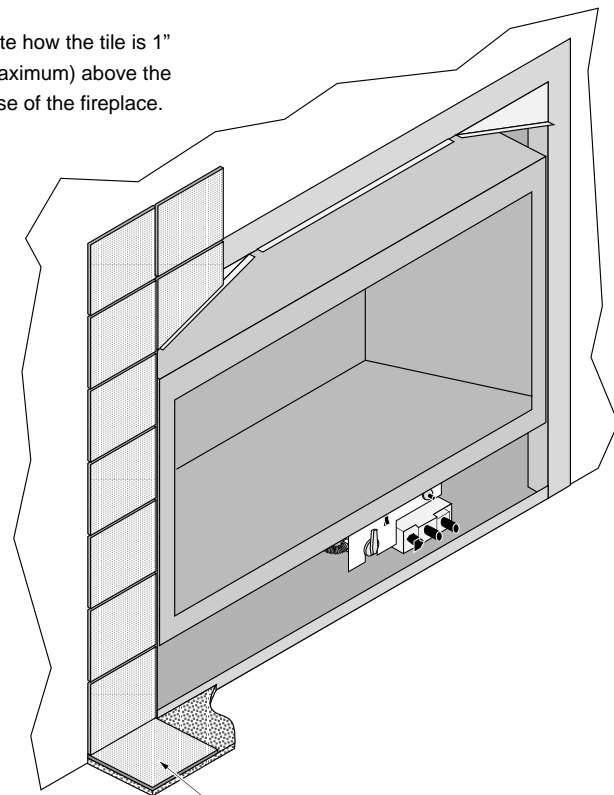
Installation (continued)

- 2 The facing and hearth (if applicable) must be installed prior to attaching the face. See the installation manual for complete details.

Raised
Fireplaces



Floor-Level
Fireplaces



Installation (continued)

3 Install the face following the directions below.

