



# Surround Panels (DVS/DVL EF II)

## Compatibility

- DVS Insert EF II
- DVL Insert EF II

## Packing List

- Top, Right, and Left Side Panels
- Panel Trim (with Hardware)
- (4) 10-24 Type F Thread-Cutting Screws
- (7) Spring Clips

## Part Numbers

- DVS – 4" by 6" 96100300
- DVS – 8" by 10" 96100301
- DVS – 10" by 13" 96100302
- DVL – 4" by 6" 96100320
- DVL – 8" by 10" 96100321
- DVL – 10" by 13" 96100322

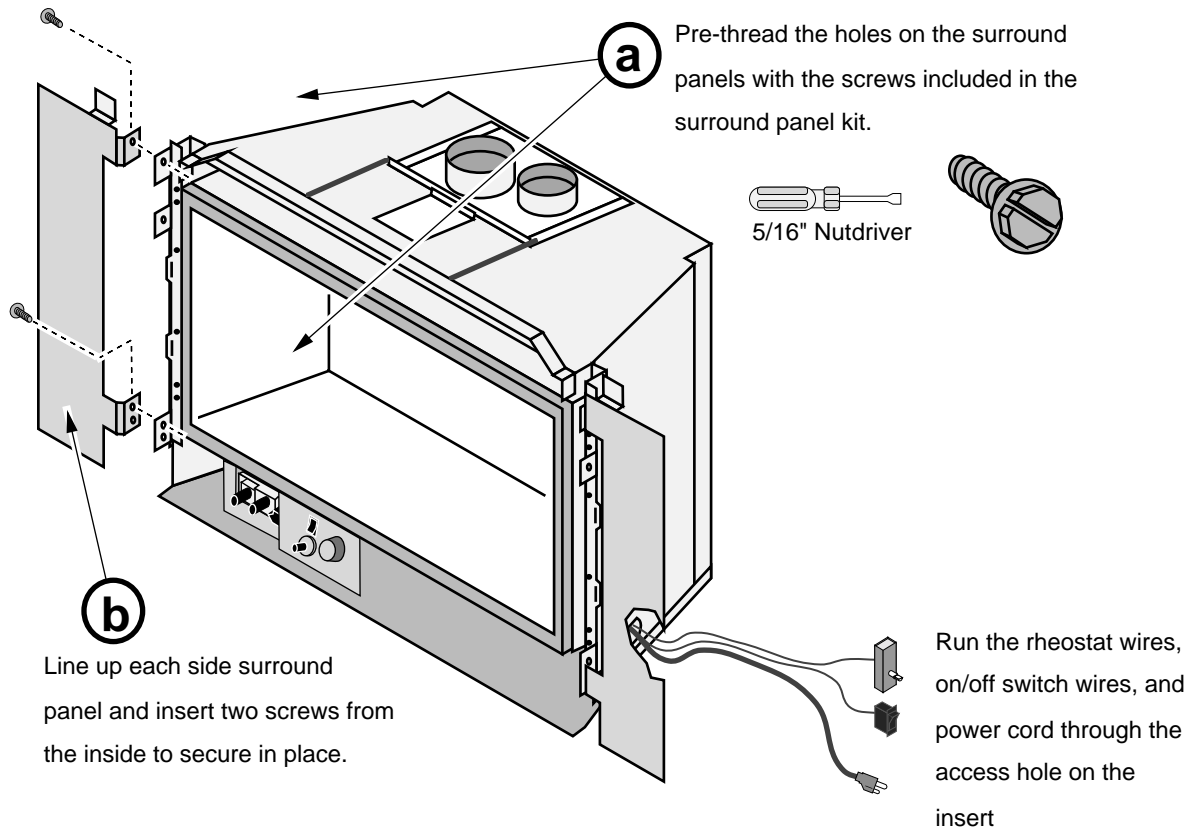
## Inside Fit Panels

The panels may be cut down in size and placed within the fireplace opening. When installed in this configuration, install the rheostat and on/off switch in the control panel under the firebox (see the owner's manual for details). For standard installations, we recommend you attach the rheostat and on/off switch to the upper right surround panel trim (after the trim is installed).

## Installation

Before installation the insert should be in place with the gas line and vent attached. Pull the insert out slightly to assist in the installation. Attach the side panels then the top panel and trim (see the directions below and on the following page).

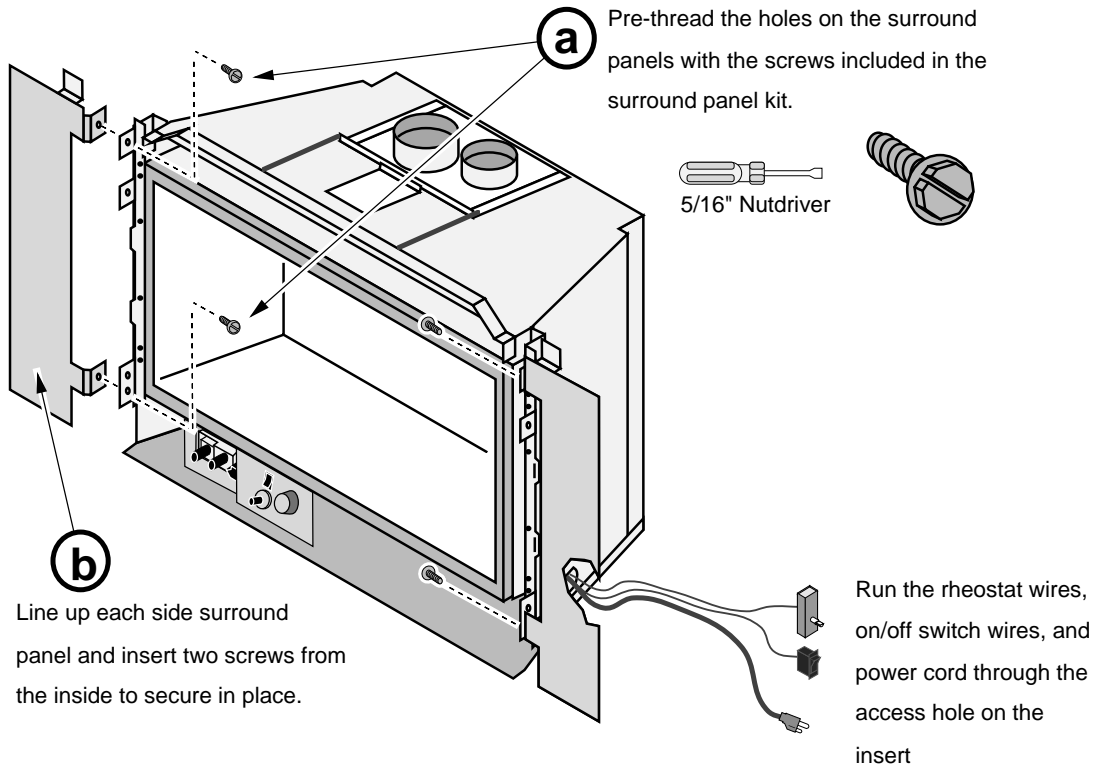
### DVS Insert EF II – Side Panel Installation





# Surround Panels (DVS/DVL EF II)

## DVL Insert EF II – Side Panel Installation



## DVS and DVL Insert EF II – Top Panel and Trim Installation

