



Packing List

- Rear Fireback
- (2) Side Firebacks
- Rear Fireback Shelf (used on the DVS GSR Only)

STAINLESS STEEL WARNINGS

HANDLING THE FIREBACKS: The stainless steel firebacks are shipped in vinyl to prevent marring the surface of the stainless steel. Remove the vinyl prior to installation. **Wear clean gloves when installing the firebacks** to prevent fingerprints on the surface (or use a rag or paper towel to handle the firebacks).

COLORATION AND CLEANING: These stainless steel firebacks will obtain a slight “patina” (brown tint) after use. Do not clean the firebacks. This patina becomes consistent. Any cleaning may lead to unequal coloring. If soot forms on the fireback, we recommend brushing it off with a soft cloth or brush.

Cleaning Enamel Firebacks

We recommend cleaning the enamel surface with glass cleaner and a soft cloth.

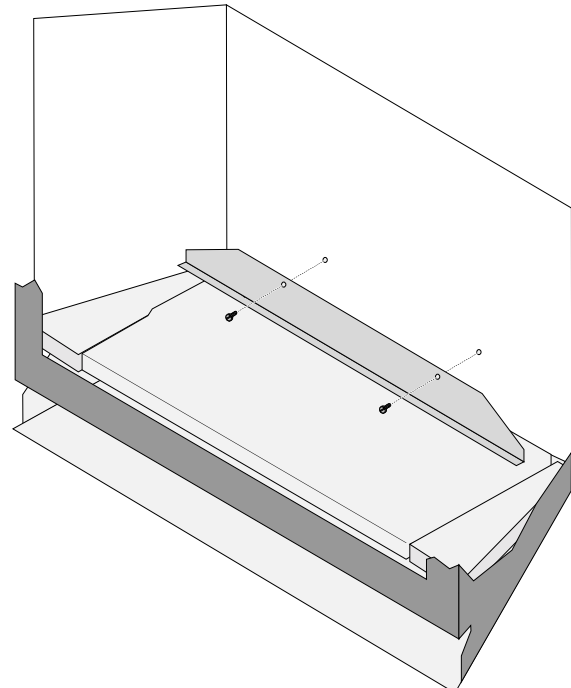
Installation

WARNING Turn off gas to the appliance and make sure it has fully cooled prior to conducting service.

- 1 Remove the glass frame and logs (see the manual for details).
- 2 Follow the steps below to install the firebacks (see illustrations on the following page).
 - a) For the DVS GSR bend the accent light down (if installed) and install the rear fireback shelf (see illustration below).
 - b) Install the rear fireback (see illustration on the following page).
 - c) Install the side firebacks (see illustration on the following page).
 - d) For the DVS GSR, return the accent light to the correct configuration.
 - e) Replace the burner.
- 3 Restore the appliance to the correct configuration.

Installing the Fireback Shelf (DVS GSR ONLY)

Remove the two screws on the back wall of the firebox (see illustration to the right). Align the holes on the rear fireback shelf with the screw holes and attach with the screws. The rear fireback rests on this shelf.



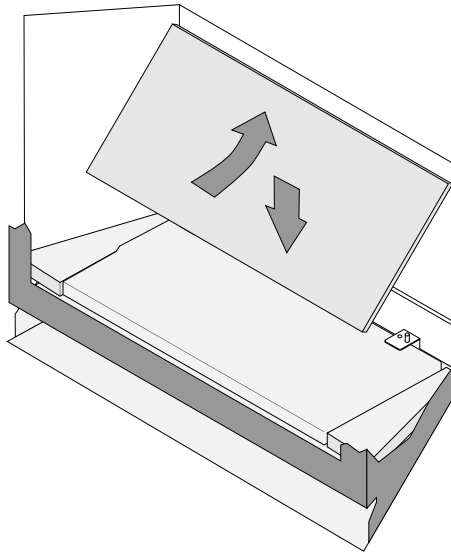


DVS GSR / 31 DVI SS/Enamel Firebacks

SKU # 96100110 Black Enamel

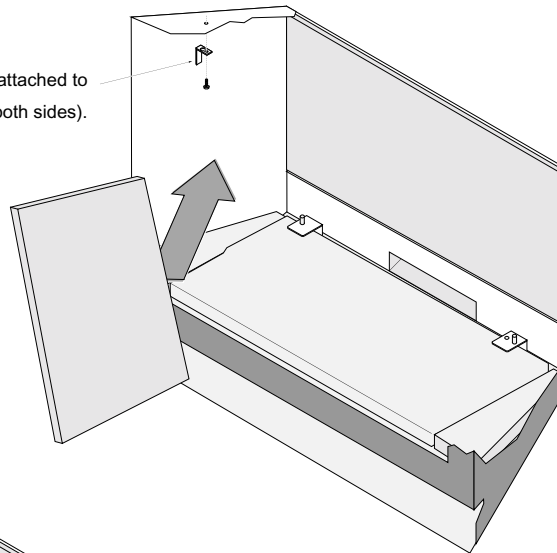
96100112 Stainless Steel

Slide the top of the rear fireback behind the baffle on top of the firebox and pivot it back into place. It rests on the shelf at the back of the firebox.



Remove this clip attached to the firebox ceiling (both sides).

Hold the side firebacks at a slight angle and place them into position (both sides).



Replace the clip to secure the side fireback (both sides).

