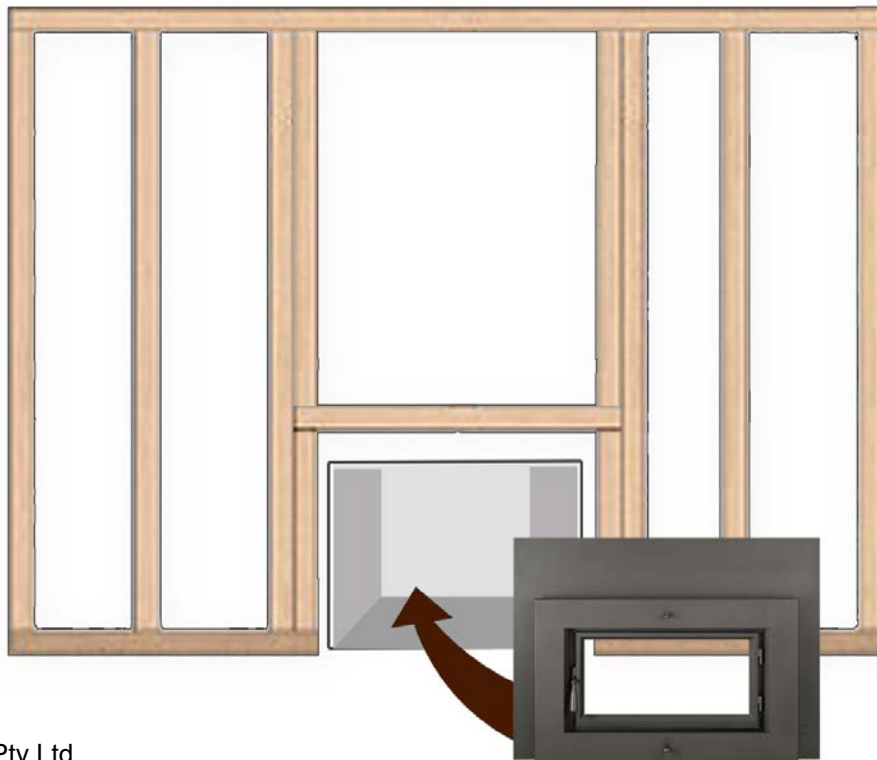




Zero Clearance Box Installation Manual Australia Only

Suitable for Lopi Flush Wood Medium &
Lopi Flush Wood Large Hybrid-Fyre™ Inserts
Lopi DVL, DVS GS2 & Radiant Plus Large Gas Inserts



Dragon Wholesaling Pty Ltd
4/16 Lexington Drive,
Bella Vista
NSW 2153 Australia
© Copyright 2019

www.lopi.com.au



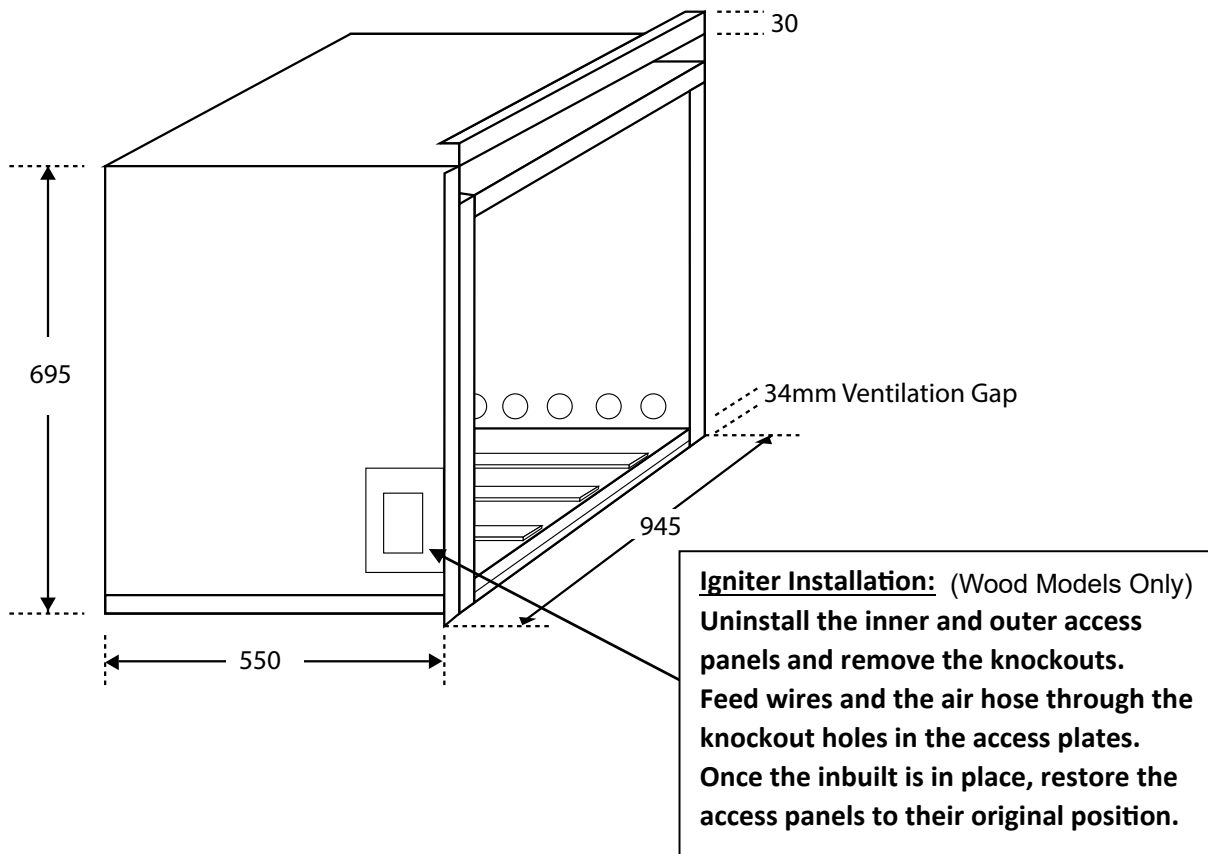
Zero Clearance Box

Flush Wood Medium, Flush Wood Large Hybrid-Fyre™
Lopi DVL, DVS GS2, Radiant Plus Large

The Zero clearance box allows all models listed above to be installed into a combustibile wall with minimum clearances and without brick or block work using the framing dimensions and clearances included in this manual.

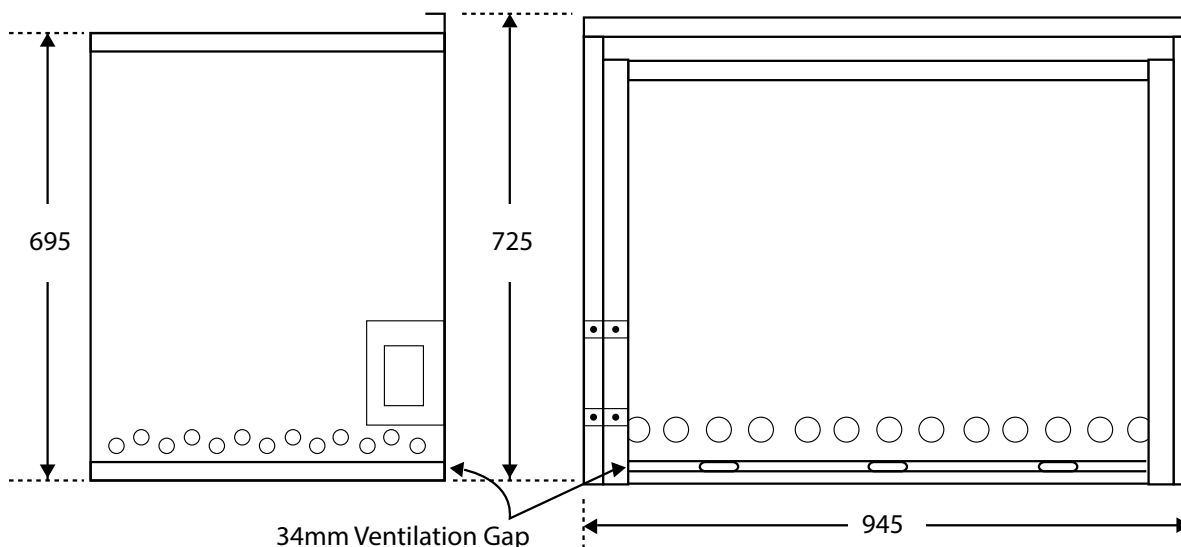
Zero Clearance Box Dimensions

Isometric View



Section View

Elevation View



**Dimensions are subject to change at our discretion, please check with our office for further details



Zero Clearance Box
Flush Wood Medium, Flush Wood Large Hybrid-Fyre™
Lopi DVL, DVS GS2, Radiant Plus Large

Zero Clearance Box Assembly Details

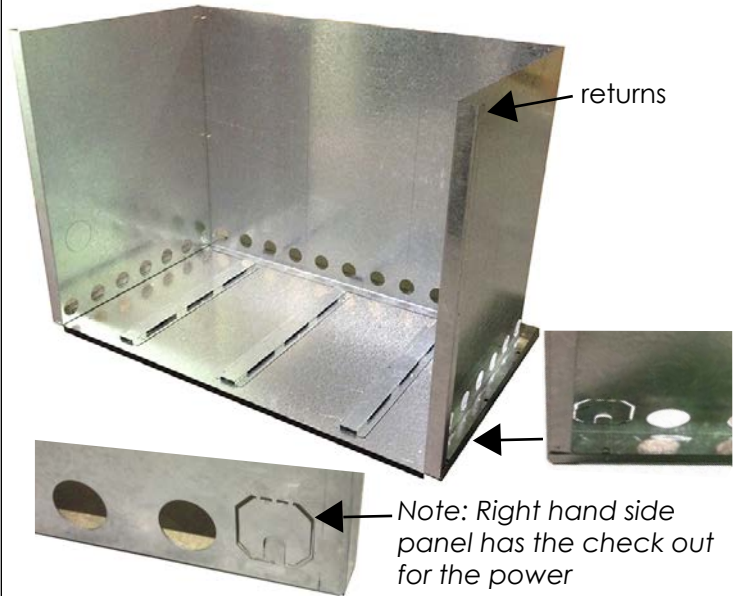
Step 1

Lay down bottom panel with the folded edges facing upwards and non folded edge to the front



Step 2

Screw inner left, inner right and inner back panels together with the returns facing outwards
(Securing to the base is not required)



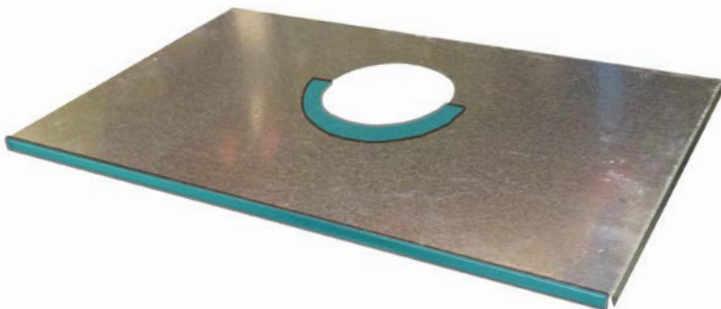
Step 3

(Lopi DVL Gas Insert Installation Only)

For all other fireboxes skip this step

If installing the Lopi DVL gas insert into the ZC Box it is necessary to remove the following two perforated sections of the inner top panel (highlighted in blue) to allow for successful installation.

Locate the inner top panel and remove the perforated sections. The sections to be removed are illustrated in blue on the image below.



Step 4

Screw inner top panel in place



* Images for illustration purposes only, some details may change

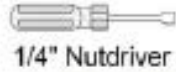


Zero Clearance Box
 Flush Wood Medium, Flush Wood Large Hybrid-Fyre™
 Lopi DVL, DVS GS2, Radiant Plus Large

Zero Clearance Box Assembly Details

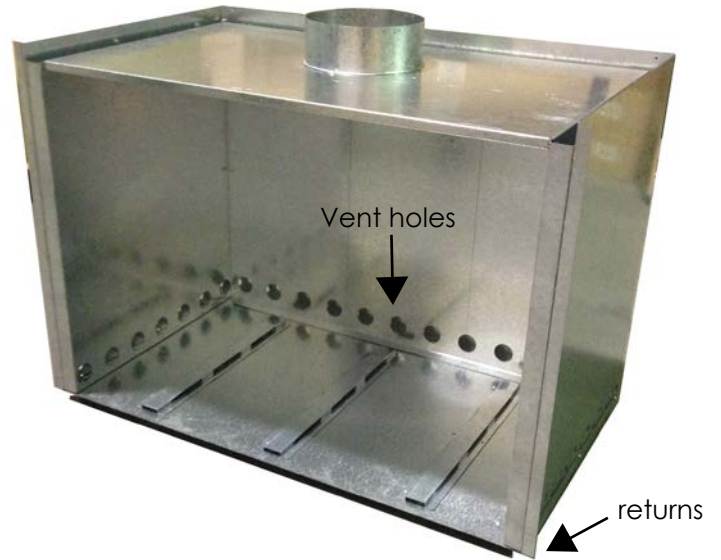
Step 5 (Wood Firebox Installation Only)

Screw 200mm collar in place



Step 6

Screw outer left, outer right and outer rear panels into place ensuring the vent holes are to the bottom and return facing outwards



Step 7

Screw outer top panel into place with 1 x large return facing upwards at the front, x 3 small returns facing downwards



Step 7 (Wood Firebox Installation Only)

Screw 250mm collar in place



* Images for illustration purposes only, some details may change



Zero Clearance Box
Flush Wood Medium, Flush Wood Large Hybrid-Fyre™
Lopi DVL, DVS GS2, Radiant Plus Large

Zero Clearance Box Assembly Details

NOTE 1: (Wood Firebox Installation Only)

There is a different starter section provided for the Medium Flush Wood and Large Hybrid-Fyre™ models. Please use the correct starter for the model being installed.

The Flush Wood Large Hybrid-Fyre™ Starter must be secured to the top of the firebox and **sealed around** using a fireplace cement as per installation manual.



Large Hybrid-Fyre Starter

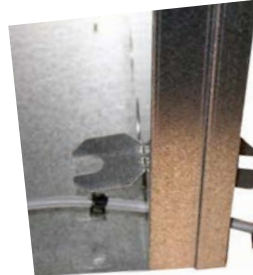


Medium Starter

The Flush Wood Medium Starter needs to be secured to the flue collar, however, it is not required to be sealed. It has been designed with a check out for the bypass rod at the front and to rest on the tab inside the flue spigot on the left.

NOTE 2:

Use plastic insulating cover where the fan power cable passes through the inner and outer panels



NOTE 3: (Wood Firebox Installation Only)

A triple skin flue must be installed from zero clearance box as per Australian Standards. A 25mm clearance from the outer 10" casing to any combustible material must be maintained.

Please see heater owners manual for other clearances and more information.

* Images for illustration purposes only, some details may change



Zero Clearance Box
Flush Wood Medium, Flush Wood Large Hybrid-Fyre™
Lopi DVL, DVS GS2, Radiant Plus Large

Knock-Outs for GreenStart™ Ignitor - Wood Inserts Only

When using the GreenStart™ Ignitor, the knock-outs on the inner and outer walls of the zero clearance box will need to be removed. Follow the directions below to remove.

WARNING: The edges of the steel are sharp. Wear gloves to prevent injury.

WARNING: After the knock-out is removed, make sure any sharp edges or metal strips do not protrude from the knock-out area. Remove any sharp edges to prevent damage to the ignitor or its wiring.

(a) Use a wire cutter to remove the small strip of steel holding the knock-out in place.



(b) Pry the knock-out forward (use a screwdriver or pliers).



(c) Bend the knock-out repeatedly until it comes loose. Discard (or recycle) the knock-out.



(d) Repeat steps (a) through (c) for the remaining knock-out.



Zero Clearance Box
 Flush Wood Medium, Flush Wood Large Hybrid-Fyre™
 Lopi DVL, DVS GS2, Radiant Plus Large

Gas Inserts Flue Set-up Using ZC Box

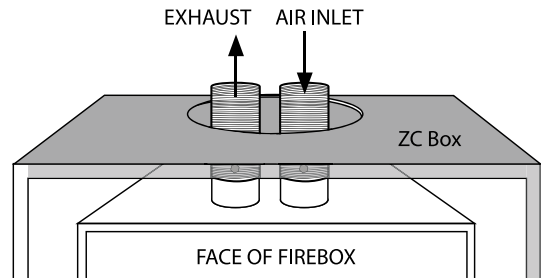
When using the ZC Box to install either the gas inserts the following installation methods are to be used:

Lopi Radiant Plus Large & DVS GS2 - Flue Assembly

Required Parts: 2 x 3" flexi flue pipe cut into approx 300mm lengths, Flue Adaptor (Part No. 46DVA-GK) Min 2.4 metres of 4 x 6-5/8 Rigid Flue & Vertical Termination

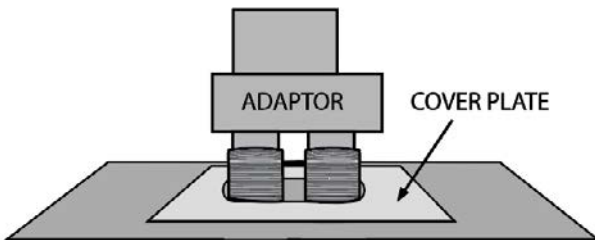
Step 1:

Secure two 3" flexi flue pipes with screws to the air inlet and exhaust spigots on the firebox. Ensure that these pipes are not split and there is enough length of pipe in order to connect to the flue adaptor in the next step.



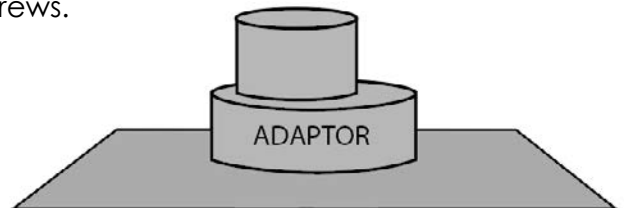
Step 2:

Secure flue adaptor to the flue flexi pipe ensuring the exhaust and inlet pipes are in the correct orientation to the adaptor.



Step 3:

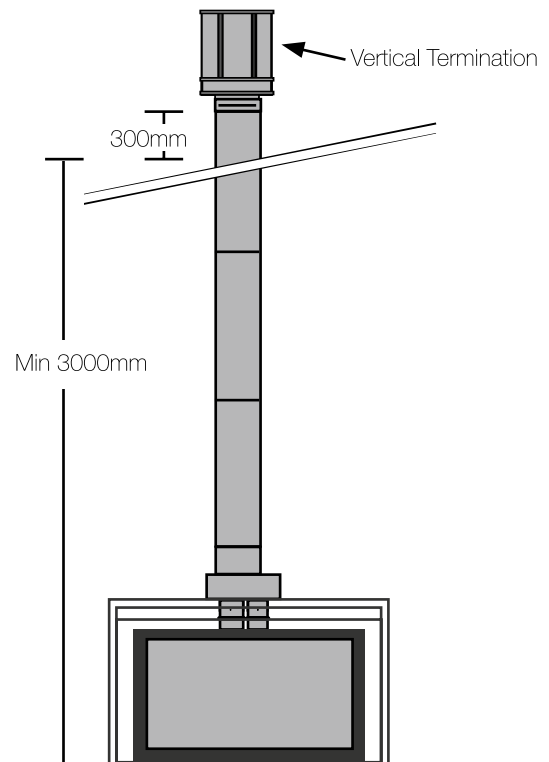
Carefully compress the flexi flue pipes so that they sit inside of the ZC Box and allow for the flue adaptor to sit flush on top of the ZC Box. Secure the flue adaptor to the firebox using tek screws.



Step 4:

Final Flue Connections:

Connect 4" x 6"-5/8 vertical flue and terminate through the roof. Flue must be a minimum of 3000mm high from the base of firebox and rise a minimum of 300mm above roof before termination



Tip!

Secure the firebox to the base of the ZC box using 2 x Tek Screws.
 Fix screws through the floor of the firebox into the raised sections on the ZC box floor



Zero Clearance Box
 Flush Wood Medium, Flush Wood Large Hybrid-Fyre™
 Lopi DVL, DVS GS2, Radiant Plus Large

Gas Inserts Flue Set-up Using ZC Box

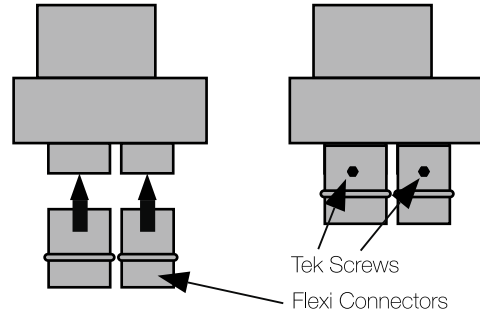
When using the ZC Box to install either the gas inserts the following installation methods are to be used:

Lopi DVL GS2 - Flue Assembly

Required Parts: 3" & 4" Flexible Connectors, Flue Adaptor (Part No. 98900124)
 Min 2.4 metres of 4 x 6-5/8 Rigid Flue & Vertical Termination

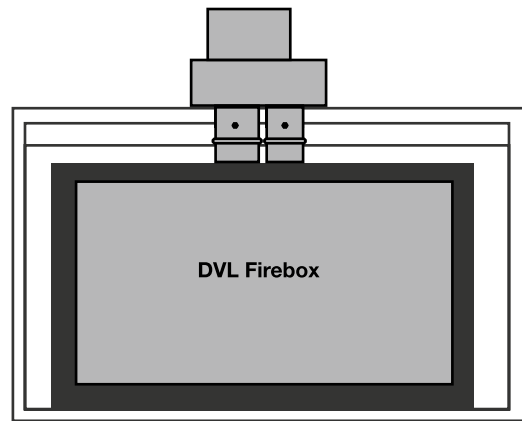
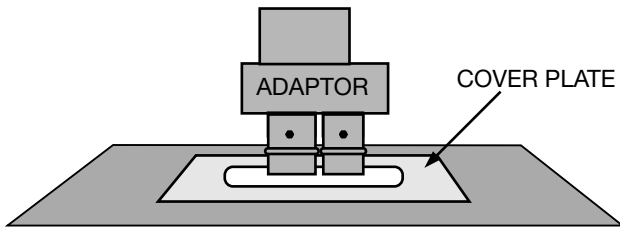
Step 1:

Secure 3" & 4" Flexi Connectors to DVL Adaptor using Tek screws. This provides an extension to flue adaptor 3" & 4" pipes



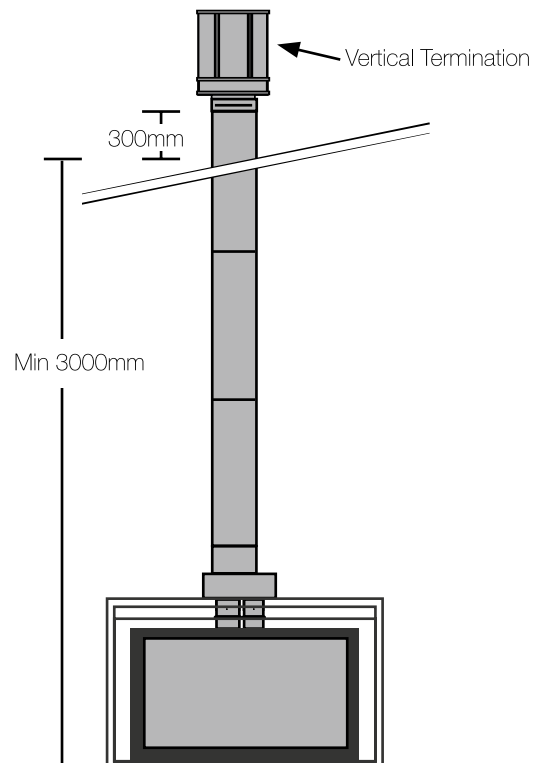
Step 2:

Secure Adaptor & Cover Plate to ZC Box & feed DVL Adaptor through ZC Box lid and secure to the air inlet and exhaust spigots on the firebox. Secure in place with tek screws.



Step 4:

Final Flue Connections:
 Connect 4" x 6"-5/8 vertical flue and terminate through the roof. Flue must be a minimum of 3000mm high from the base of firebox and rise a minimum of 300mm above roof before termination



Tip!

Secure the firebox to the base of the ZC box using 2 x Tek Screws.
 Fix screws through the floor of the firebox into the raised sections on the ZC box floor

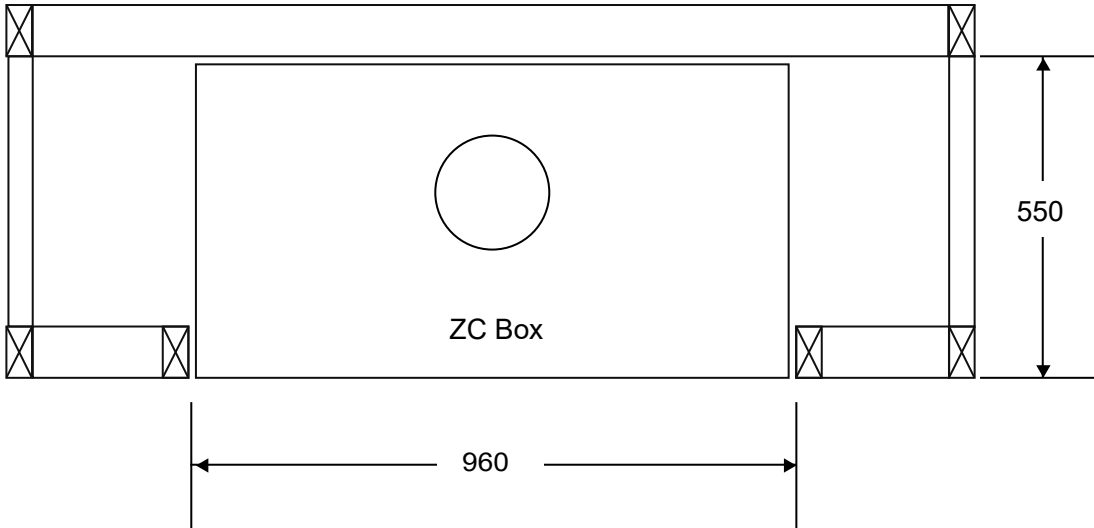


Zero Clearance Box
 Flush Wood Medium, Flush Wood Large Hybrid-Fyre™
 Lopi DVL, DVS GS2, Radiant Plus Large

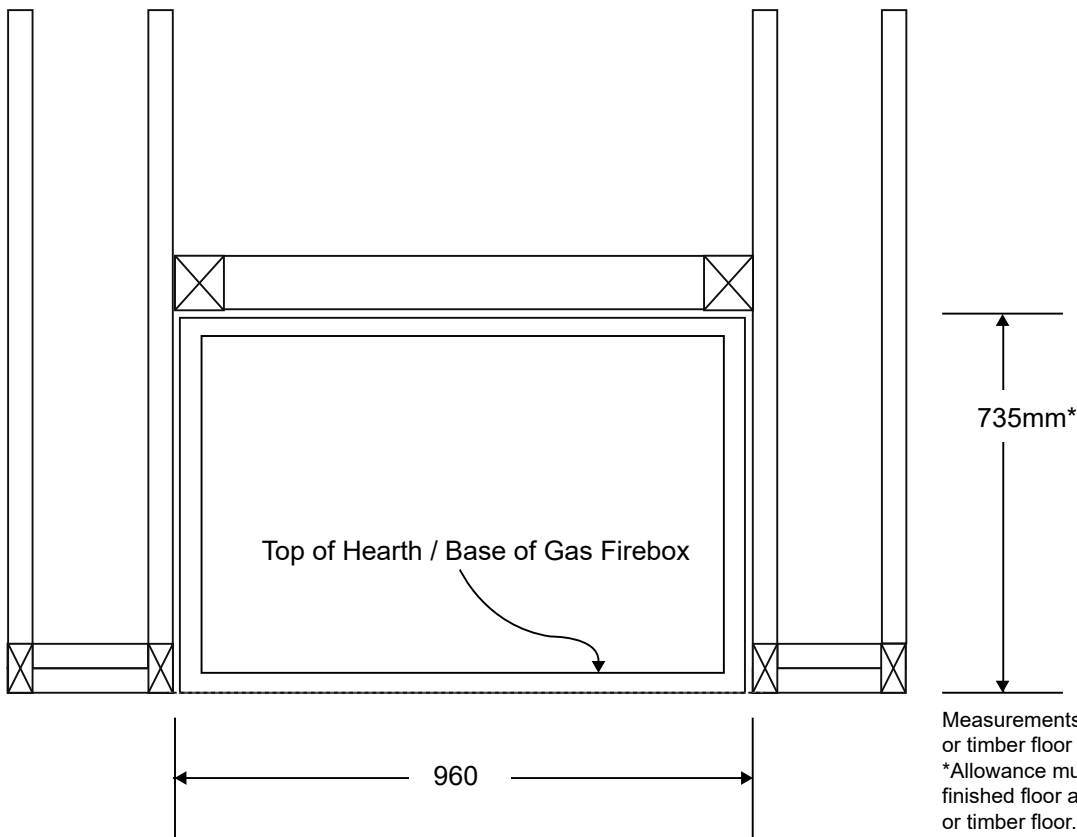
Framing Dimensions for Zero Clearance Box

Lopi DVS, DVL & Radiant Plus Large Models Only

Plan View - Timber or Concrete Floor



Elevation View



Measurements from top of concrete or timber floor
 *Allowance must be made for any finished floor above existing concrete or timber floor.

SEE HEARTH REQUIREMENTS

NOTE:

Finishing panels covers frame opening width & height from **base of firebox** (34mm up from base of ZC box)

Lopi DVS - **MUST** Use Large 1 Piece Panel - SKU 96100324
 Lopi DVL - Use Standard 1 Piece Panel - SKU 96100323
 Lopi Radiant Large - Use Small Panel - SKU 96100562

**Dimensions are subject to change at our discretion, please check with our office for further details



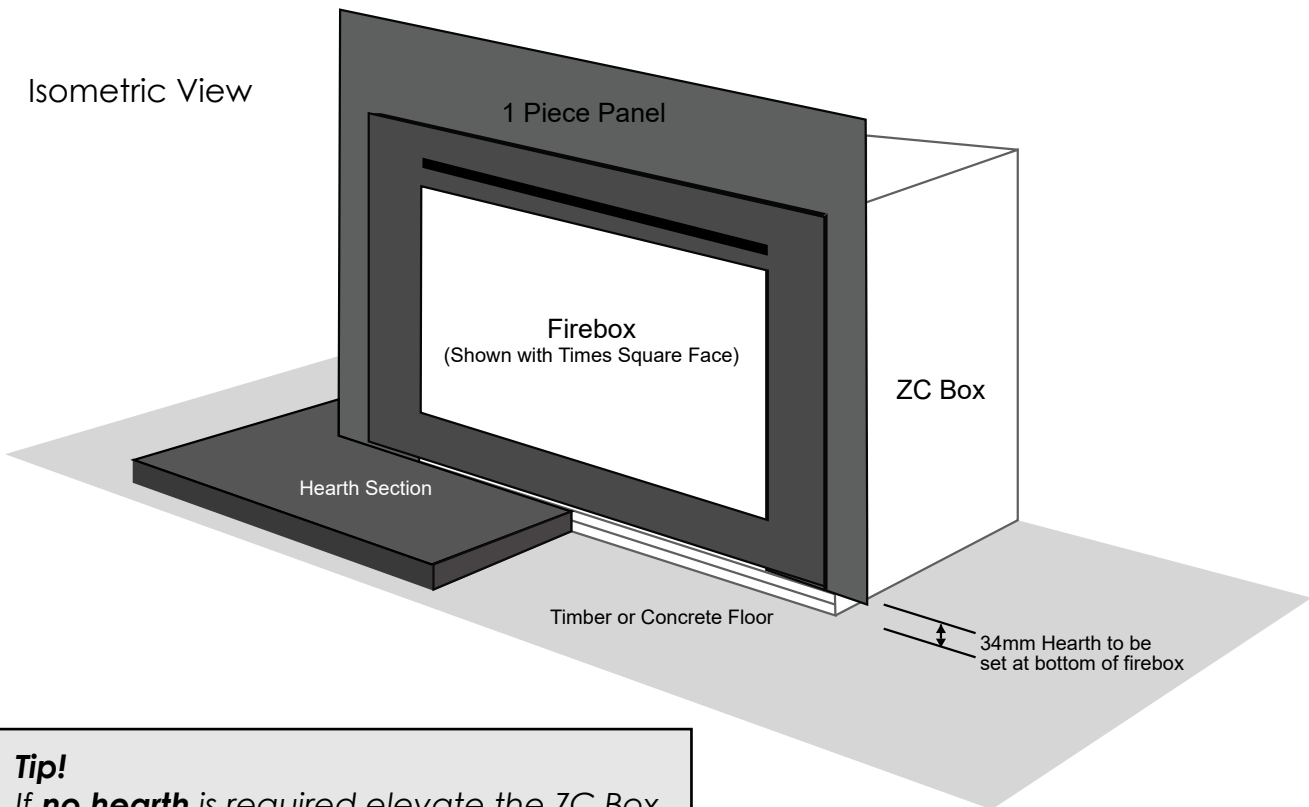
Zero Clearance Box
 Flush Wood Medium, Flush Wood Large Hybrid-Fyre™
 Lopi DVL, DVS GS2, Radiant Plus Large

Hearth Requirements for Zero Clearance Box

Lopi DVS, DVL & Radiant Plus Large Models Only

TIMBER & CONCRETE FLOORS

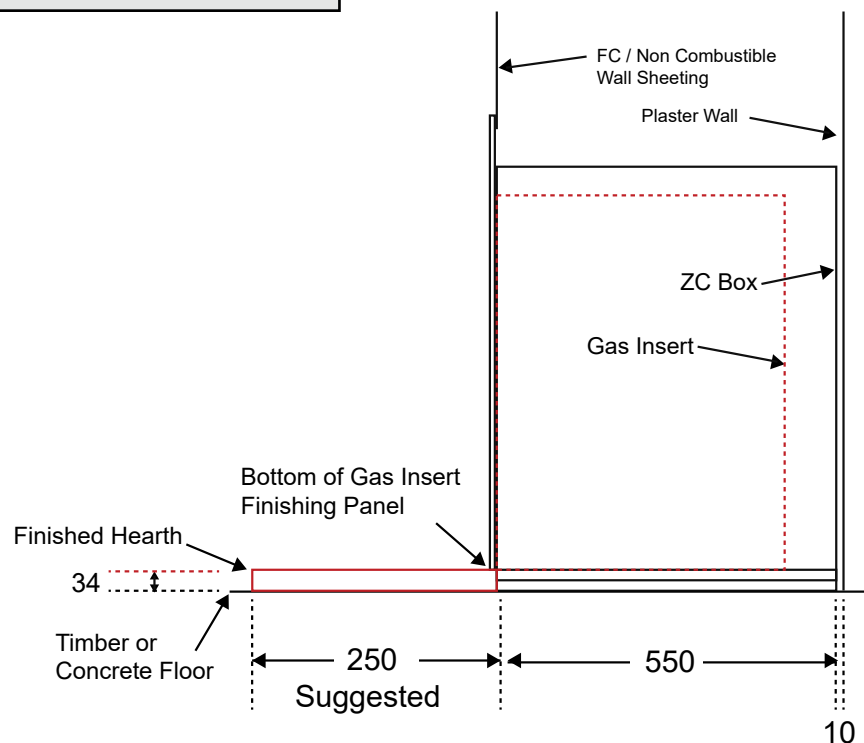
Isometric View



Tip!

If **no hearth** is required elevate the ZC Box on a timber base and finish with a 4 sided panel.

Section View



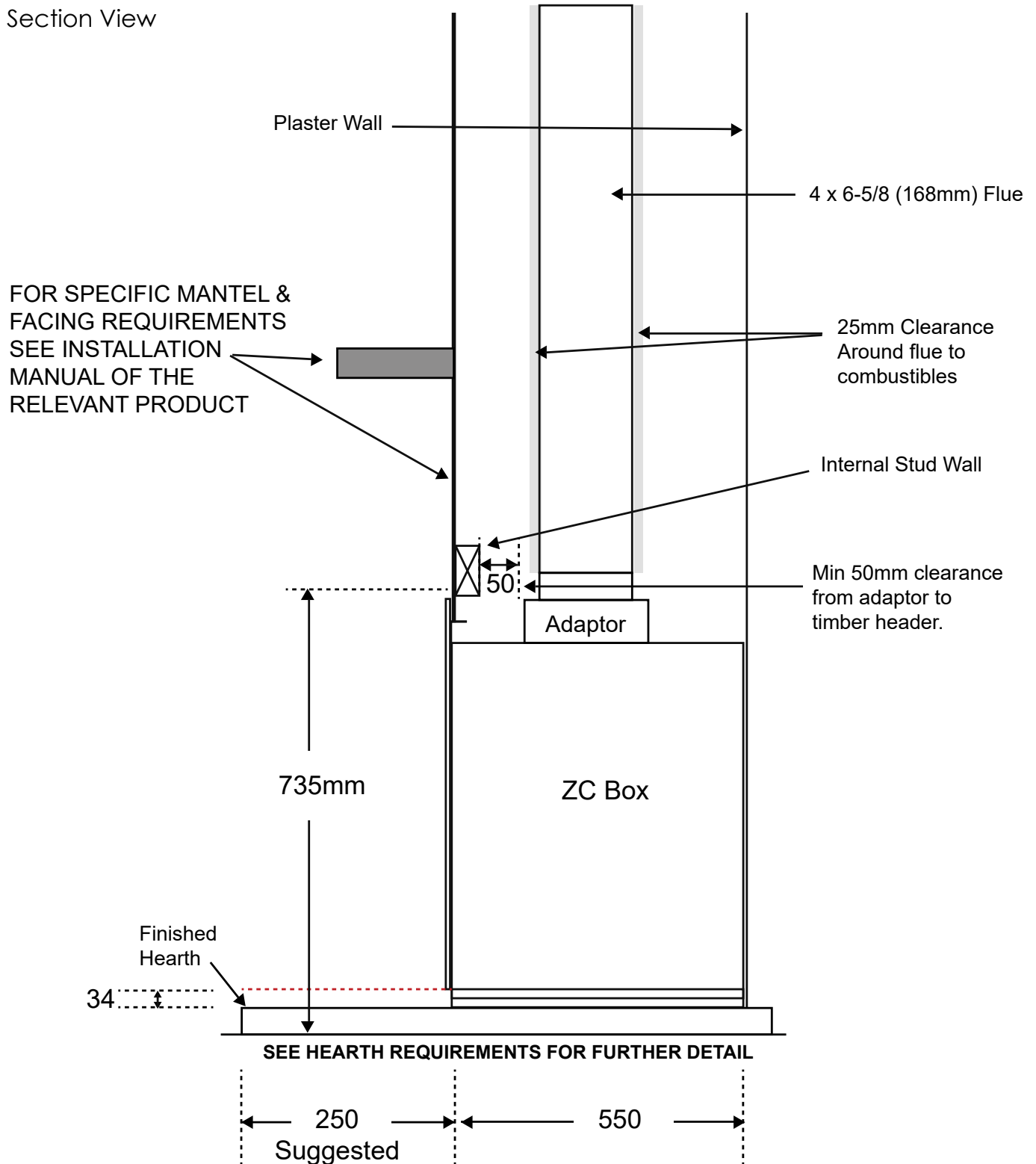


Zero Clearance Box
 Flush Wood Medium, Flush Wood Large Hybrid-Fyre™
 Lopi DVL, DVS GS2, Radiant Plus Large

Minimum Clearances & Hearth Requirements

Lopi DVS, DVL & Radiant Plus Large Models Only

Section View



*Allowance must be made for any finished floor above existing concrete or timber floor.
SEE HEARTH REQUIREMENTS

**Dimensions are subject to change at our discretion, please check with our office for further details