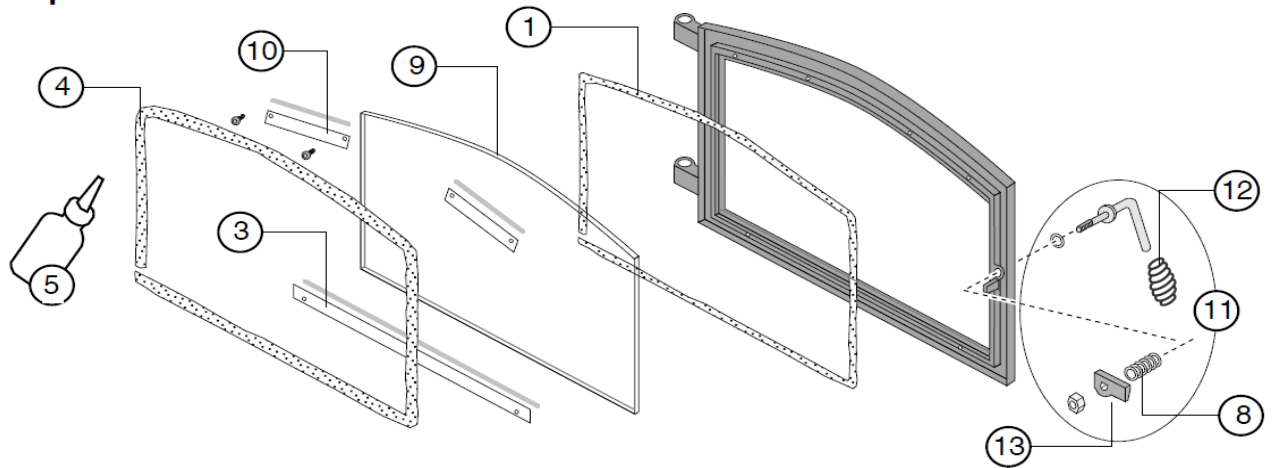


REPUBLIC 1750 INBUILT SPARE PARTS - SEPTEMBER 2019

Lopi Republic Door

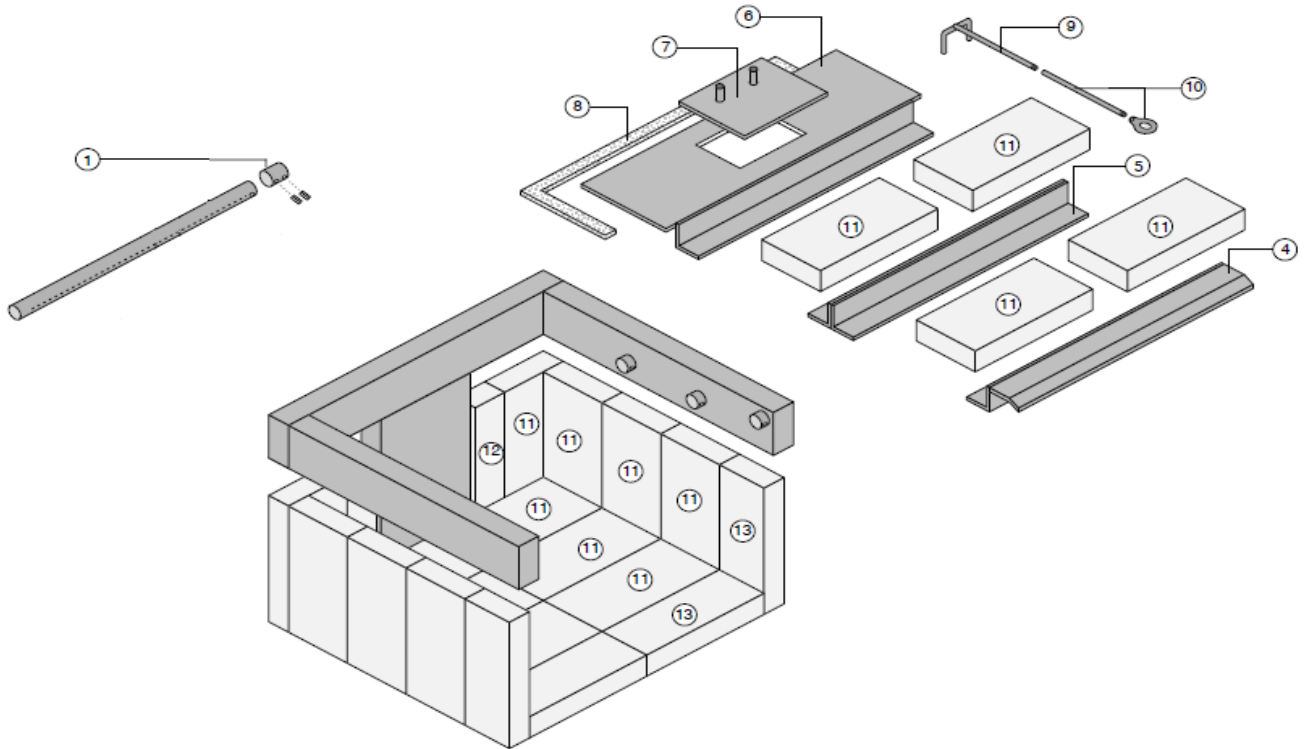


Pricing shown excludes freight and installation. Pricing may vary depending on area.

Pricing includes GST.

ID #	Description	Qty	Part #	\$	Other Detail
1	Glass Gasket	1	250-00173	\$ 25	
3	Glass Clip with Gasket - 3 Hole	1	250-00174	\$ 14	
4	Door Gasket	1	99900406	\$ 40	
5	RTV High Temp. 600deg Silicone				See your LOPI Dealer
8	Door Washer	1	250-00364	\$ 7	
9	Republic Glass	1	250-00172	\$ 130	
10	Glass Clip with Gasket and Screws - 2 Hole (2)	1	250-00175	\$ 14	
11	Door Handle Assembly	1	250-00171	\$ 54	
12	Door Handle Spring	1	250-00373	\$ 14	
13	Door Cam	1	250-00598	\$ 25	
	Hex Nut, Steel 3/8-16 -Jamb-Lock	1	250-00966	\$ 14	Pack of 4

Firebox Parts



Pricing shown excludes freight and installation. Pricing may vary depending on area.

Pricing includes GST.

ID #	Description	Qty	Part #	\$	Other Detail
1	Air Tube with Sleeve and Roll Pins	1	98900233	\$ 48	
4	Baffle Support, Front	1	99900251	\$ 61	
5	Baffle Support, Rear	1	99900250	\$ 64	
6	Damper Plate	1	98900322	\$ 50	
7	Damper Slider	1	98900343	\$ 47	
8	Gasket, Damper Plate	1	91001701	\$ 14	
9	Damper Yoke	1	98900325	\$ 36	
10	Damper Extension Rod with Pull Ring	1	98900334	\$ 32	
11	Brick - 9" x 4.5" uncut (Single)	18	251-00000	\$ 23	Each
11	Brick - 9" x 4.5" uncut (Box of 8)		99900102	\$ 90	Per Box of 8
12	Brick - 9" x 2" cut	2	251-00021	\$ 23	Each
13	Brick - 9" x 3.687" cut	2	251-00022	\$ 23	Each

Floor and Side Firebrick Removal & Replacement

Do not pry firebrick - they chip and crack easily. Remove the floor firebricks first. The side firebricks are removed later because they are pinned in place by the floor firebrick. Clean the firebox prior to replacing the firebrick.