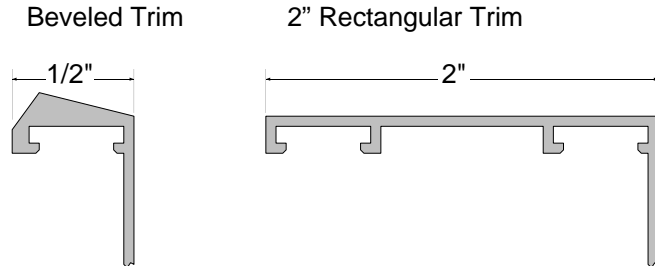




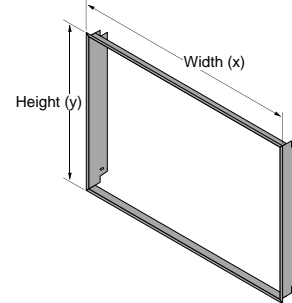
# 564/864 CleanFace Trim Kit Installation

## Sizing / SKU's

### Cross Section of Trim



### Trim Exterior Dimensions



|                               | Minimum Facing Depth | Maximum Facing Depth | SKU      | Exterior Width (x) | Exterior Height (y) |
|-------------------------------|----------------------|----------------------|----------|--------------------|---------------------|
| Beveled 564 Standard Trim Kit | 1/2"                 | 7/8"                 | 95900380 | 33.375"            | 20.5"               |
| Beveled 564 Thick Trim Kit    | 1"                   | 1-1/2"               | 95900382 | 33.375"            | 20.5"               |
| Beveled 864 Standard Trim Kit | 1/2"                 | 7/8"                 | 95900384 | 37.5"              | 26.5"               |
| Beveled 864 Thick Trim Kit    | 1"                   | 1-1/2"               | 95900386 | 37.5"              | 26.5"               |
| 2" Rectangular 564 Trim Kit   | 1/2"                 | 1"                   | 95900370 | 36.375"            | 23.5"               |
| 2" Rectangular 864 Trim Kit   | 1/2"                 | 1"                   | 95900372 | 40.5"              | 29.5"               |

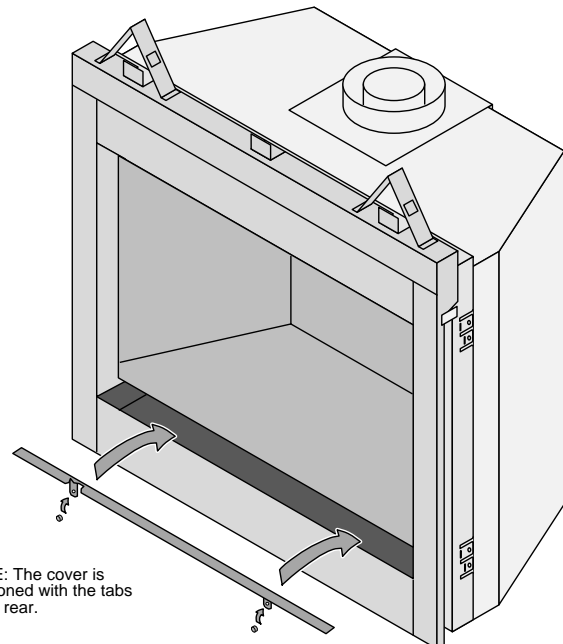
## Packing List

- (2) Side Pieces
  - (2) Top/Bottom Trim Pieces
  - L Bracket Hardware
    - (4) L Brackets w Set Screws, (4) Spacers
  - (4) 8-32 x 3/8" Screws
  - Bottom Gap Cover (used only when trim is in the extended position)
  - (2) Magnets (used for bottom gap cover)
- NOTE: 2" Trim includes 8 Brackets, 8 Spacers

## Bottom Gap Cover – Used when Trim is in the Extended Position

The trim has a slotted hole to allow for it to be slid into position against the facing. If the facing is at the thicker end of the allowable limit (3/4" to 7/8" for the standard, 1-1/4" to 1-1/2" for the thick), you will want to install the bottom gap cover on the fireplace to conceal the top edge of the facing material below the glass frame. Install the cover before installing the trim. See the illustration below for installation details.

**HINT** You can place the magnets on the cover before installing or place the magnets on the fireplace prior to installation. **Make sure the magnets fit below the return flange on the fireplace** (otherwise the cover will not fit correctly).



NOTE: The cover is positioned with the tabs at the rear.



TRAVIS INDUSTRIES  
HOUSE OF FIRE

# 564/864 CleanFace Trim Kit Installation

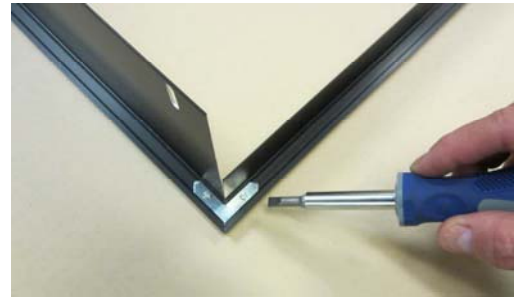
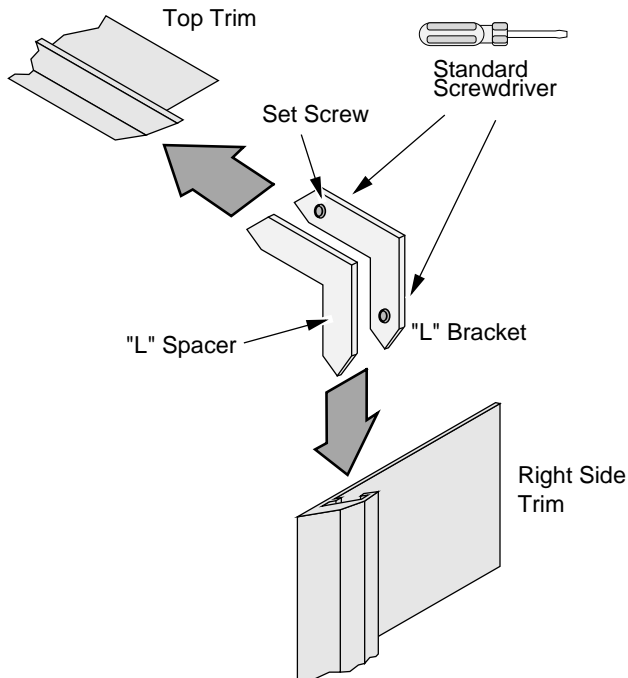
## Trim Installation

**WARNING** Turn off gas to the appliance and make sure it has fully cooled prior to conducting service.

### **HINT: Blacken the Edges of the Extruded Trim**

Before constructing the trim assembly, use a black permanent marker to blacken the outer silver edges of the extruded trim.

- 1 The trim is attached after the fireplace is in place with the non-combustible facing installed. Before installing, remove the tile stop (see installation manual for details).
- 2 Assemble the trim kit as shown below. Use one L bracket and spacer for each corner (use two brackets and two spacers for the 2" trim). Use a screwdriver to tighten the set screws from behind. If the corners are not aligned, loosen the screws, align, and re-tighten.



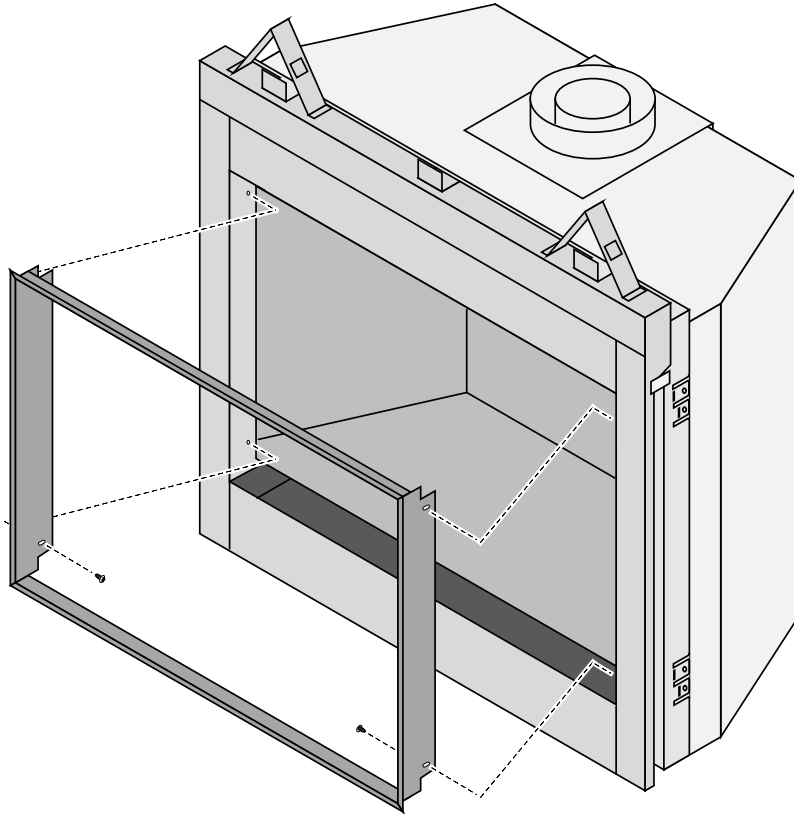
- 3 Remove the screen and glass frame from the fireplace (see the installation manual for details).



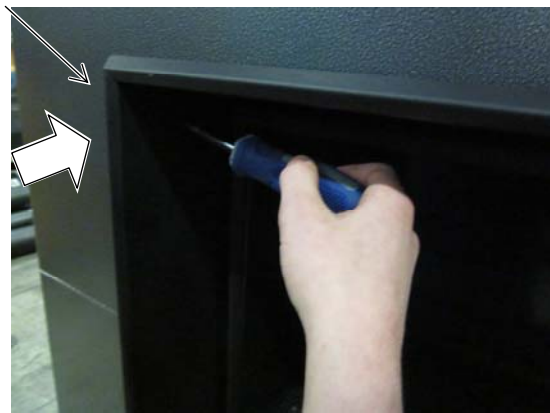
TRAVIS INDUSTRIES  
HOUSE OF FIRE

## 564/864 CleanFace Trim Kit Installation

- 4 Place the trim in place, taking care to not scratch the surfaces. Once it is fully in place, use the included screws to secure the trim to the fireplace.



When tightening the screws, push the trim against the facing to ensure a seamless fit.



- 5 Restore the fireplace to the correct configuration.