



# 564 Grill Installation

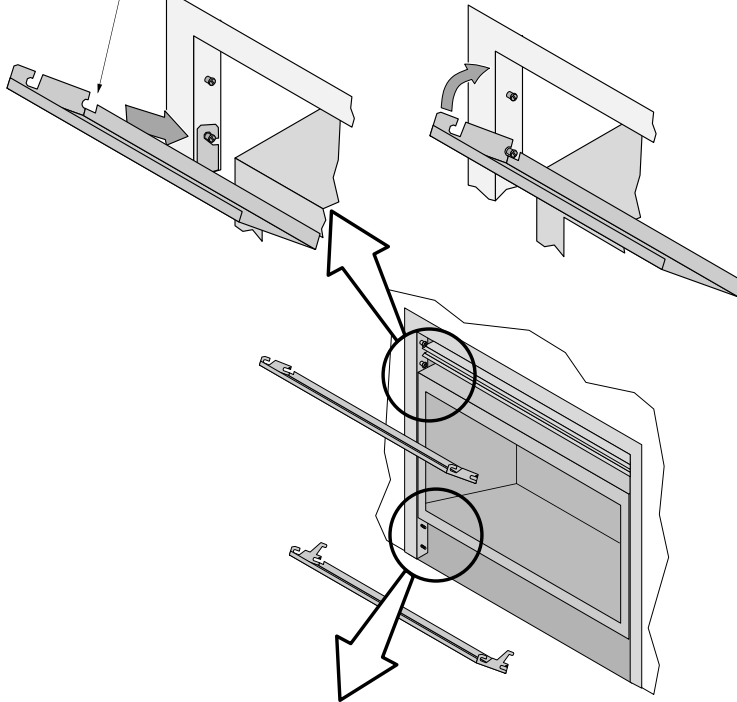
SKU # 96200804, 96200808

**NOTE:** The glass frame and barrier screen should be in place before installing the grills.

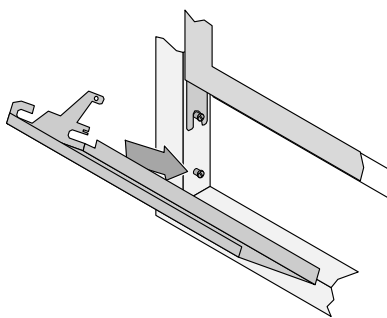
## Upper Grill Installation (FPX and Avalon)

Hold the grill at an angle and insert the lower slot over the lower bushing on the fireplace (both sides). The grill fits inside the tabs for the barrier screen.

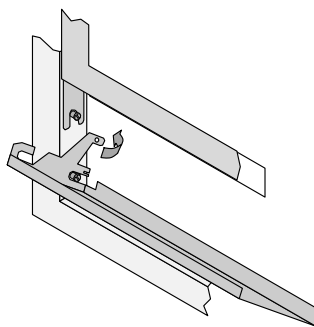
Swing the grill upwards to engage the upper slot. You will need to lift the grill slightly to get it over the bushing. Once in place the grill is held in place by gravity.



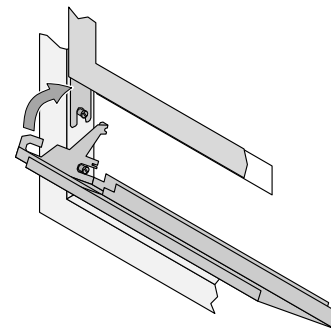
## Lower Grill Installation



Hold the grill at an angle and insert the lower slot over the bushing on the fireplace (both sides). You may need to press on the grill to get the tab over the bushing (this prevents the grill from accidentally falling off).



Bend the tab outward on both sides. This is the end-stop for the lower grill, it allows the grill to swing forward.

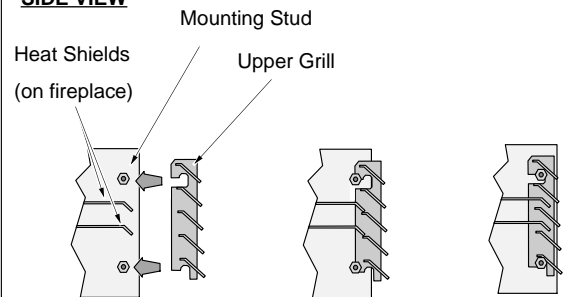


Swing the grill upwards to engage the upper slot. The grill fits inside the tabs for the barrier screen. You will need to lift the grill slightly to get it over the bushing. Once in place the grill is held in place by gravity.

## Upper Grill Installation (Lopi)

**NOTE:** The upper grill is difficult to install the first time - be patient, after you install it, you will know how it installs and it will be much easier the second time.

### SIDE VIEW



Position the grill so the slots on the grill align with the mounting studs.

You may need to push in and upwards on the grill as it inserts.

The grill, when fully inserted, will slide down and "click" into place.



# 564 Grill Installation

SKU # 96200804, 96200808

## FPX GRILLS ONLY:

Remove the glass barrier screen (see owner's manual for details). Secure the arch cover to the barrier following the directions below (arch cover is shipped with the fireplace). Replace the glass barrier.

