

564 Arched Face

Classic Black 95400402

Nickel 95400405

French Country Black 95400408

Compatibility:

- 564 SS & DF Fireplace
- 564 HO Fireplace
- 564 564 EF-I Fireplace

Packing List:

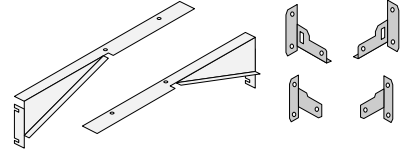
- Face
- (2) 564 SS Top Brackets (w screws)
- (2) 10-24 1-1/2" Screws

- (4) 8-32 Nuts



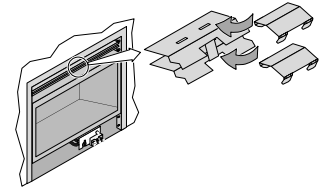
564 GAS FIREPLACES ONLY:

The FPX Face Upgrade Kit (98500683) must be installed prior to installing the facing material and face.



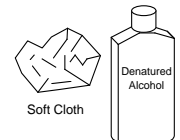
564 SS GAS FIREPLACES ONLY:

The center deflectors must be in place when using this face to prevent the facing above the fireplace from becoming too hot. If this face is replacing a Lopi Grill (96200801), make sure to replace the center deflectors.

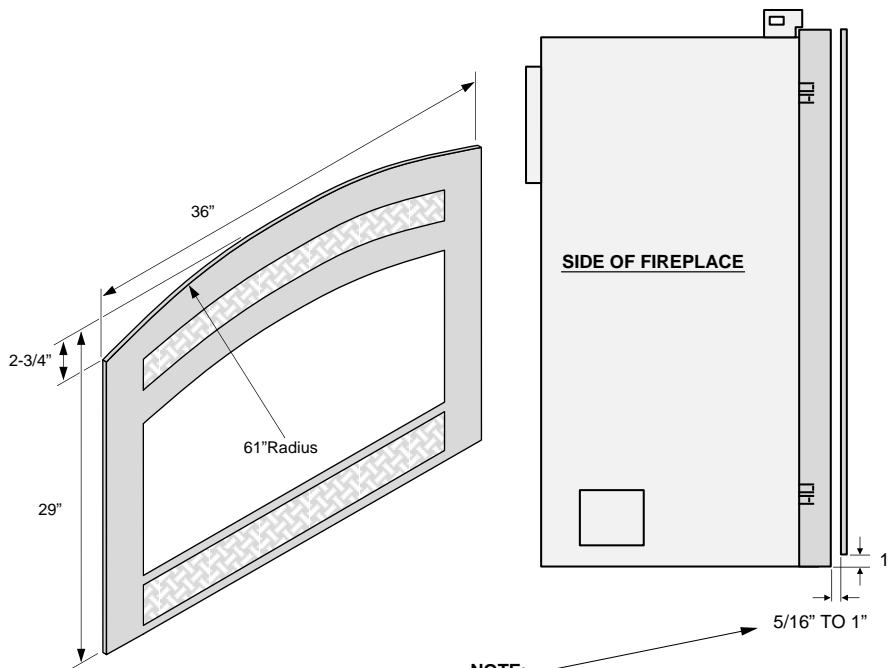


Care and Handling of Plated Surfaces

Use denatured alcohol and a soft cloth to clean gold or nickel surfaces. Marks left on the surface may damage the face.



Installation Details – 564 SS, DF, HO

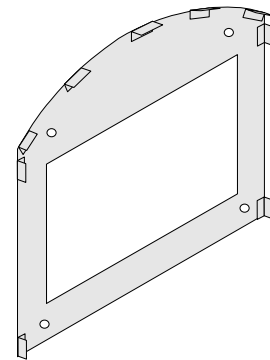


NOTE:

This face has an adjustable bracket that allows for different facing depths to be tucked under the face.

NOTE FOR THICK FACING (BRICK, ROCK, ETC.):

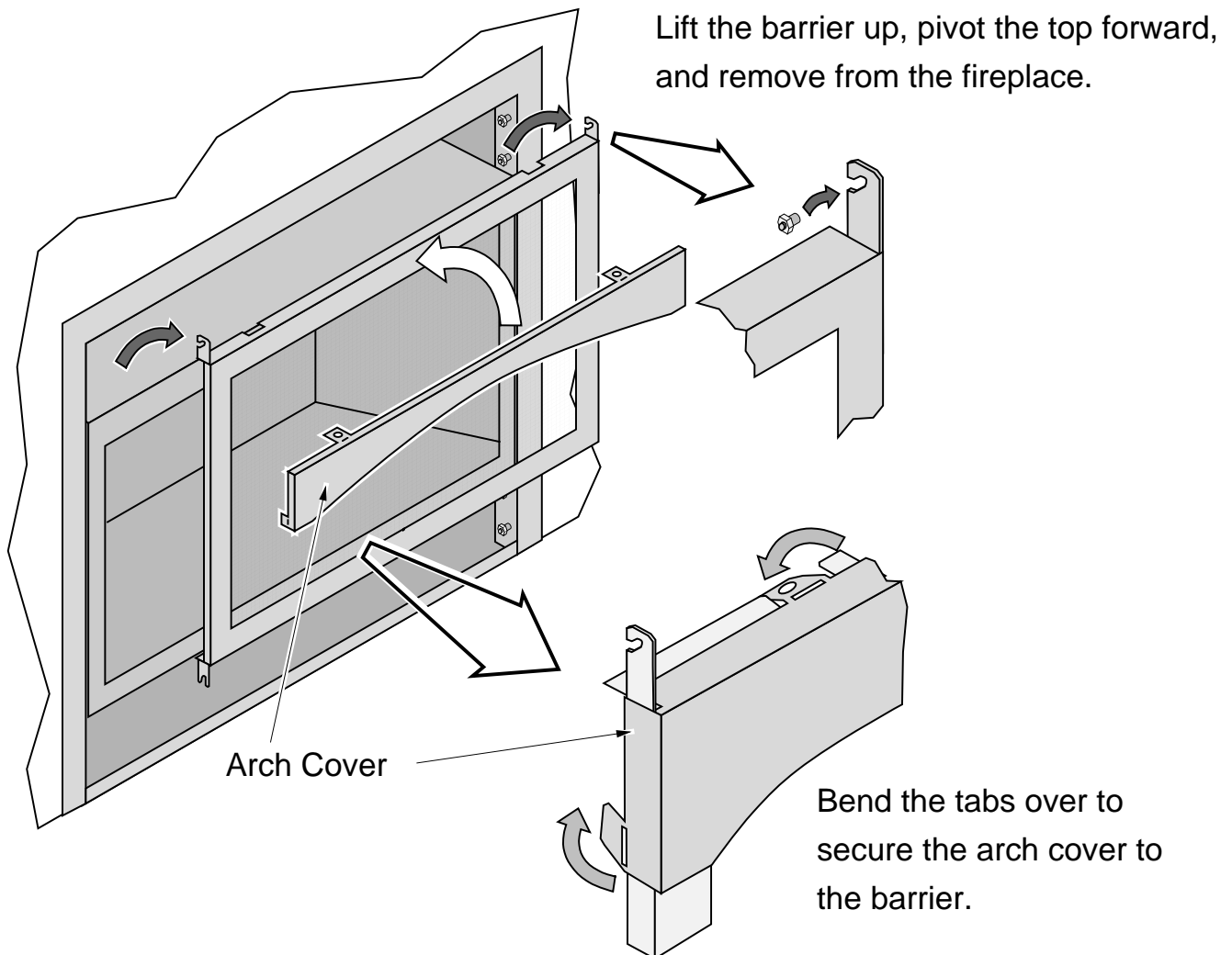
The Fireplace Xtrodinair 564 Set-Up Face is recommended for masonry installation (98500674). The set-up face helps locate and support the masonry during installation.





Installation

- 1 Remove the glass barrier screen (see owner's manual for details). Secure the arch cover to the barrier following the directions below (arch cover is shipped with the fireplace). Replace the glass barrier.

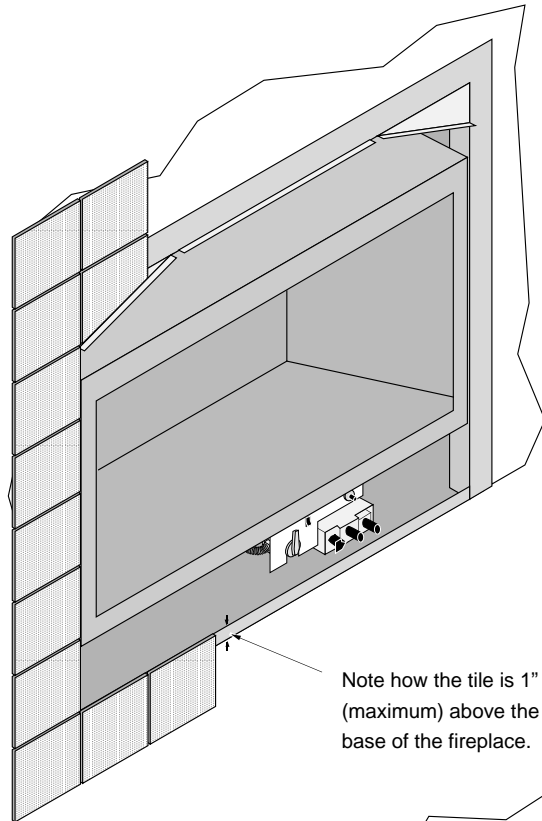




Installation (continued)

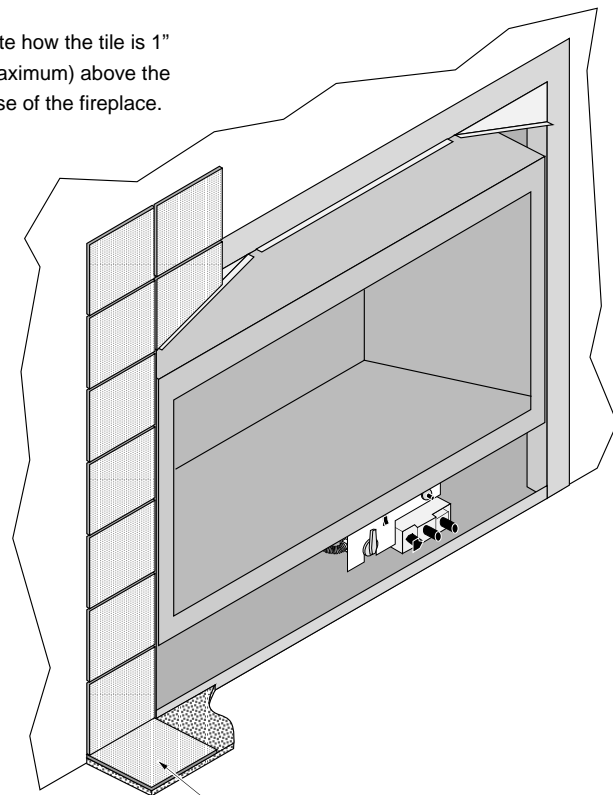
- 2 The facing and hearth (if applicable) must be installed prior to attaching the face. See the installation manual for complete details.

Raised
Fireplaces



Note how the tile is 1" (maximum) above the base of the fireplace.

Floor-Level
Fireplaces



Maximum 1" Hearth



564 Arched Face

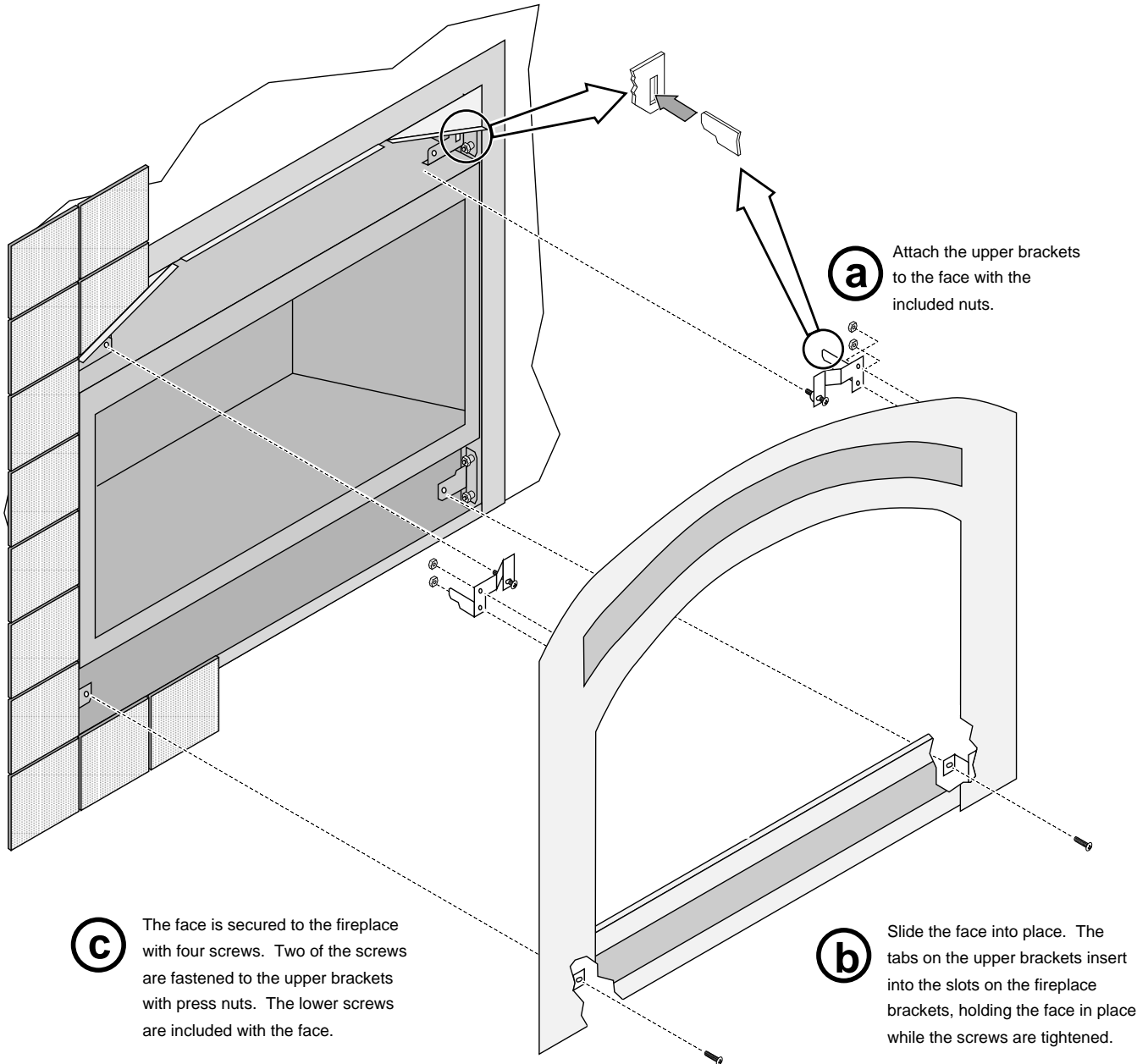
Classic Black 95400402

Nickel 95400405

French Country Black 95400408

Installation (continued)

3 Install the face following the directions below.



Plated Surfaces

Use denatured alcohol and a soft cloth to clean plated surfaces. Marks left on the surface may damage the face.



Soft Cloth



Denatured Alcohol