

**Compatibility:**

- 564 SS & DF Fireplace
- 564 HO Fireplace
- 564 564 EF-I Fireplace

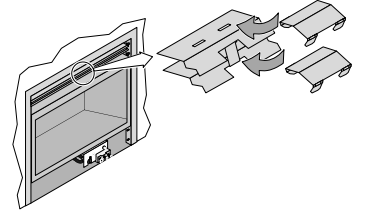
**Packing List:**

- Face
- (2) 564 Top Brackets (w screws)
- (2) 564 Upper Mounting Brackets
- (2) 564 Lower Mounting Brackets
- (2) 10-24 1-1/2" Screws

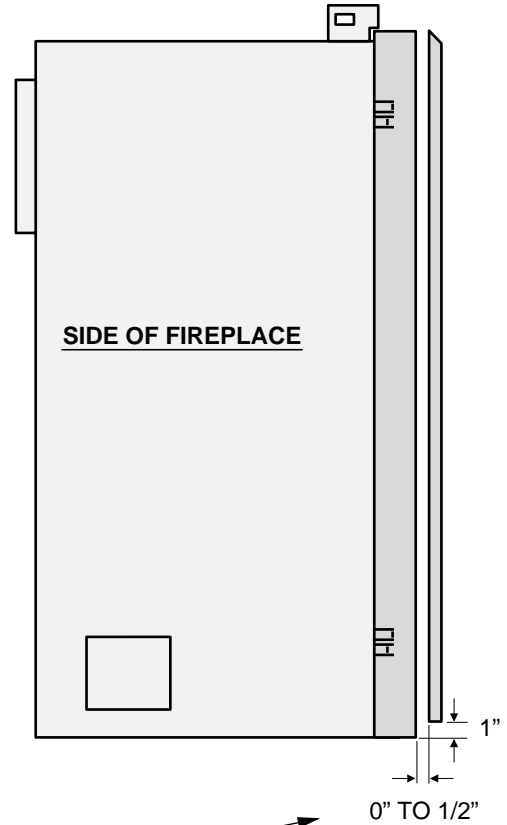
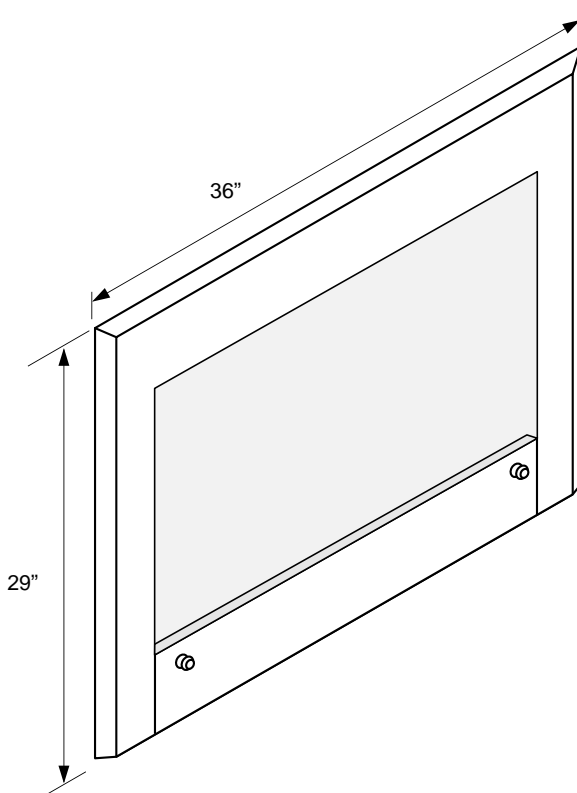
- (4) 8-32 Nuts



**The center deflectors must be in place when using this face to prevent the facing above the fireplace from becoming too hot. If this face is replacing a Lopi Grill (96200801), make sure to replace the center deflectors.**



**Installation Details – 564 SS, DF, HO**



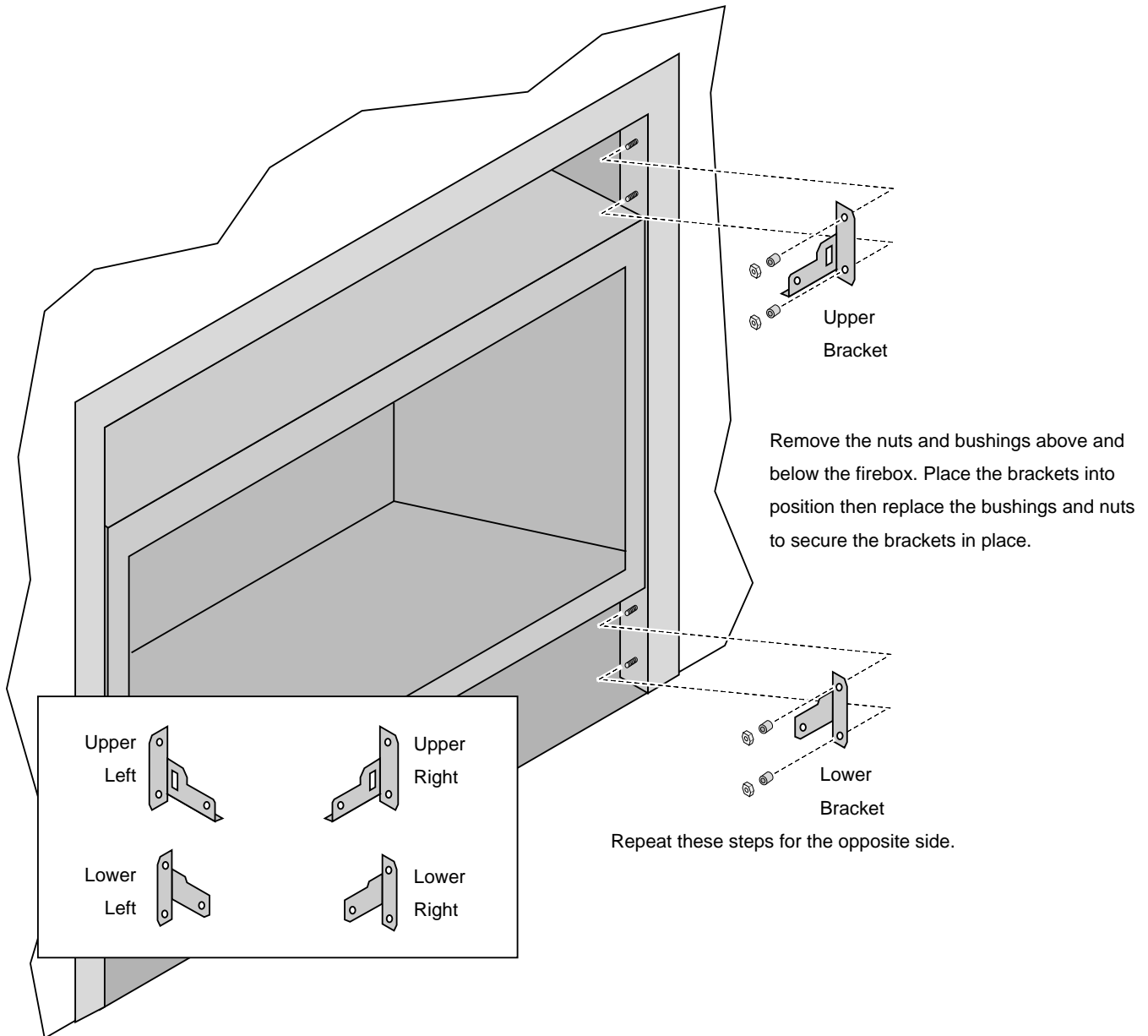
**NOTE:**

This face has an adjustable bracket that allows for different facing depths to be tucked under the face.



## Installation

- 1 Remove the glass frame (see the owner's manual for details). Install face mounting brackets to the fireplae..

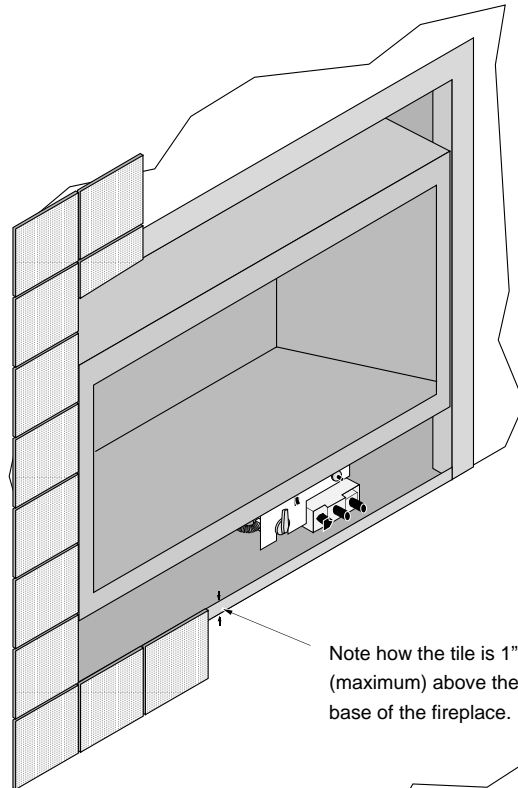




## **Installation (continued)**

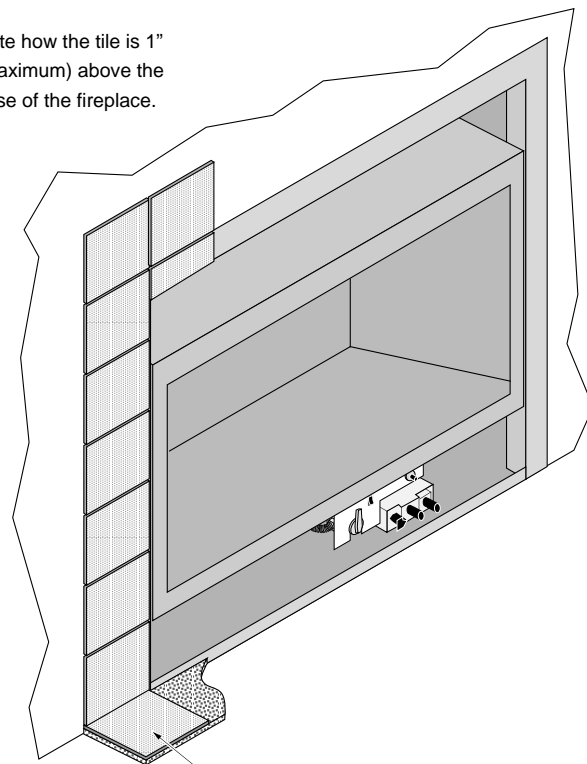
- 2 The facing and hearth (if applicable) must be installed prior to attaching the face. See the installation manual for complete details.

Raised  
Fireplaces



Note how the tile is 1"  
(maximum) above the  
base of the fireplace.

Floor-Level  
Fireplaces

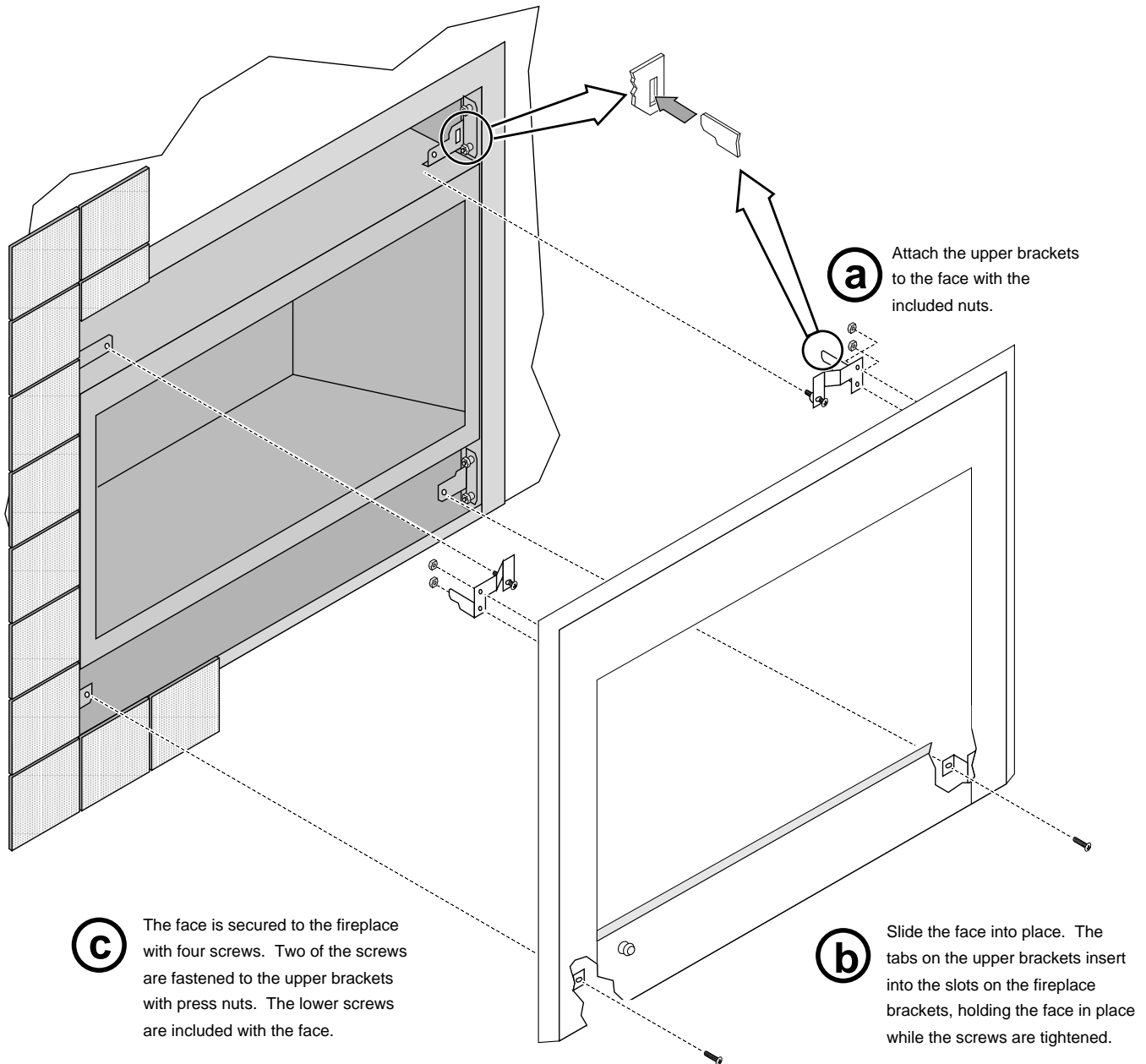


Maximum 1" Hearth



## **Installation (continued)**

3 Install the face following the directions below.



### **Plated Surfaces**

Use denatured alcohol and a soft cloth to clean plated surfaces. Marks left on the surface may damage the face.

