



564 Shadowbox Face (w Screen) Instructions

Satin 95400430

Nickel 95400428

Packing List

- Face
- Bottom Shield
- (2) Face Brackets
- (8) Screws (#8 x 3/8" Phillips)
- (5) Screws (#8 x 5/8" hex head)
- Drill Template
- 11/64" Drill Bit

Items Used with Optional Switch Box (see note below)

- Switch Box Wire Harness
- Switch Box Assembly
- (2) Wire Hanger Clips
- Control Panel Label
- Double-Back Tape

Compatibility

- 2014 (or later) 564 SS w Screen
- 2014 (or later) 564 SS Deluxe w Screen
- 2014 (or later) 564 Diamond-Fyre w Screen
- 2014 (or later) 564 HO w Screen
- **NOTE FOR EARLIER MODELS:**

This kit will fit earlier models, except the bottom shield will be approximately 1/4" too wide. In addition, the switch box may need to be modified or replaced to fit correctly. If you have an earlier model, contact Travis Industries to acquire replacement components.

Before You Begin (these two options must be conducted before installing the face)



The Switch Box is Used Only on 564 SS Units Without GreenSmart Remote

This face includes a switch box used only on those units that do not have a GreenSmart remote.

564 SS Fireplaces without a GreenSmart remote:

Install the Switch Box (see page 7).

564 HO, 564 Deluxe, and 564 Diamond-Fyre Fireplaces:

Do not install the switch box (discard the items listed above to the right).



This Face May be Mounted Flush (stock) or Extended (over tile, marble, etc.)

This face includes face brackets that may be modified to allow tile or other non-combustibles to be placed between the face and fireplace. By drilling holes with the included template, the installer can move the face forward, allowing non-combustible facing to fit between the face and fireplace (see page 5 for details). Make sure the face maintains a 1/4" gap behind the face to the facing to allow for proper airflow.

564 HO fireplaces utilize a strip of pre-attached fiber board above the fireplace. This strip extends above the shadowbox face. Typically, non-combustible facing is used in these applications to conceal the fiber board.




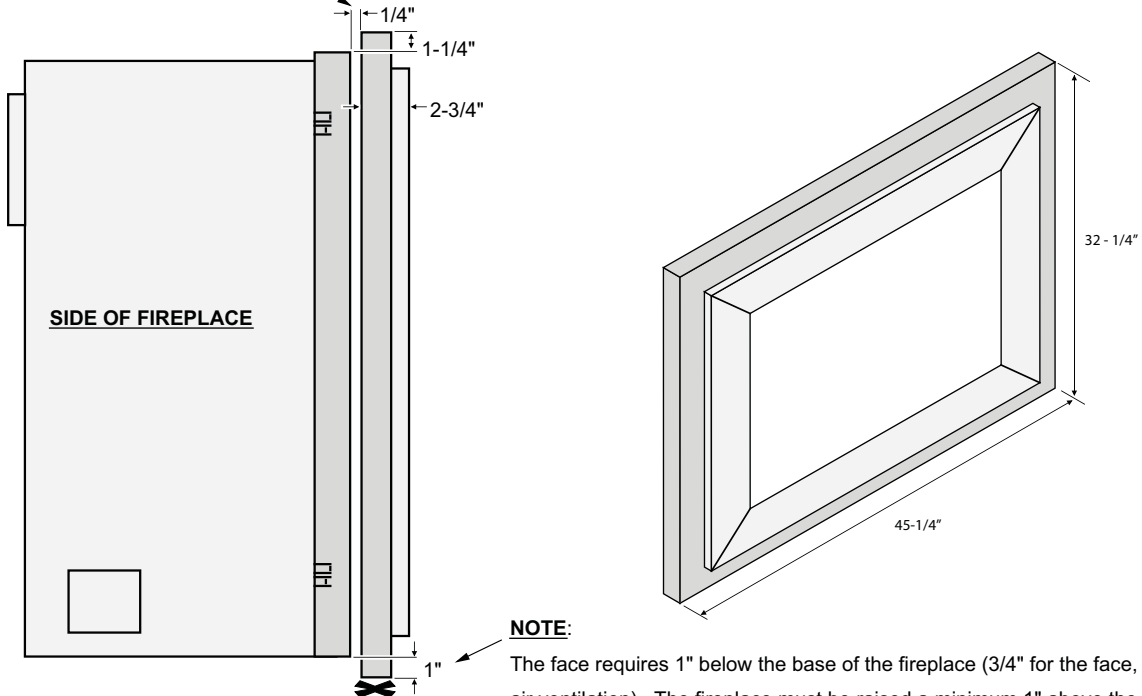
564 Shadowbox Face (w Screen) Instructions

Satin 95400430

Nickel 95400428

Face Details

 **WARNING:** The face requires a 1/4" gap between the face and facing (tile, drywall, etc.). This gap provides airflow to allow the fireplace to operate correctly.

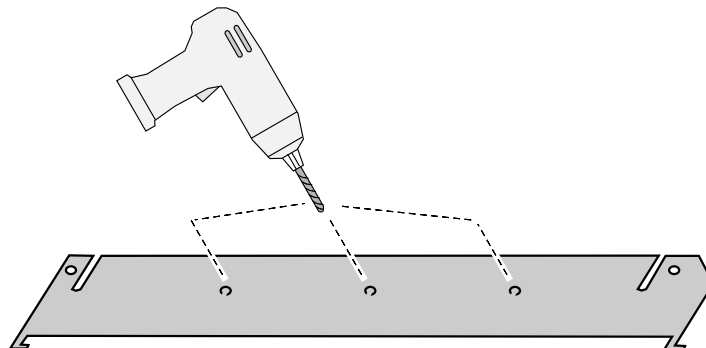


NOTE:
The face requires 1" below the base of the fireplace (3/4" for the face, 1/4" for air ventilation). The fireplace must be raised a minimum 1" above the hearth to accommodate this face.

NOTE:
Allow an additional 1" gap below the face when using the switch box (2" below the base of the fireplace - see the next page for switch box explanation.)

Face Installation

- 1 Use the included drill bit to drill the three mounting holes in the face brackets (both sides). For flush installations, use the hole locations that are pre-cut pilot holes from the factory. If using extended facing, see page 5 for details on drilling holes for non-combustible facing.



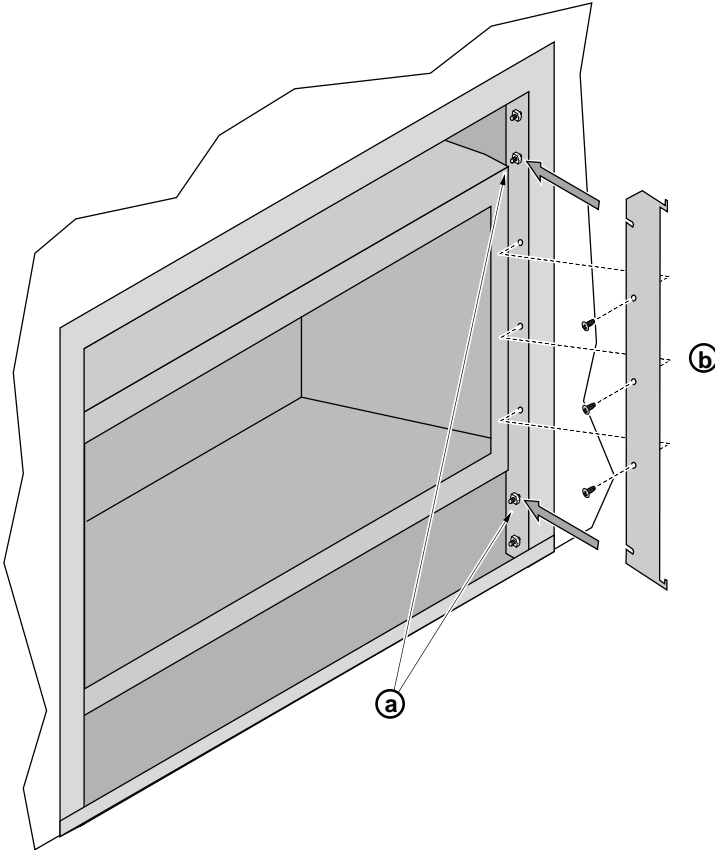


564 Shadowbox Face (w Screen) Instructions

Satin 95400430

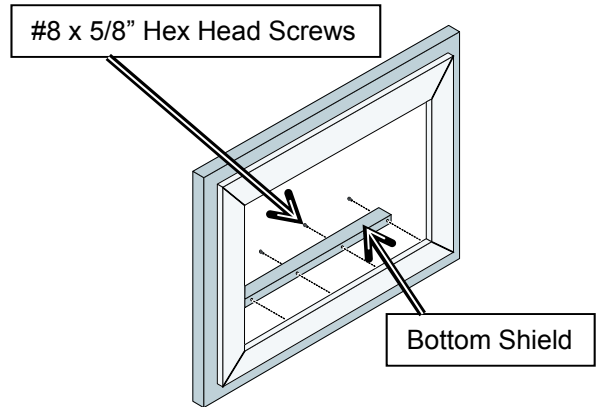
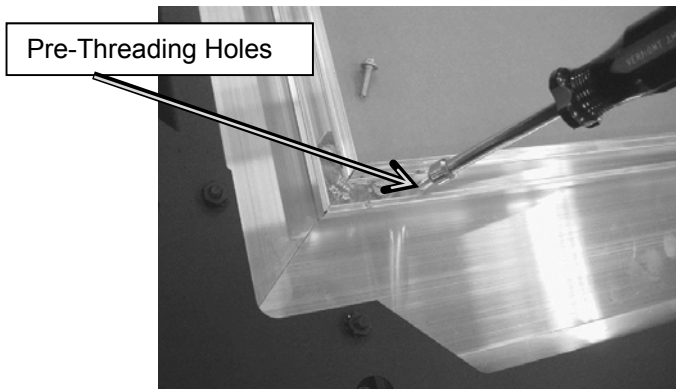
Nickel 95400428

- Remove the glass screen (see owner's manual for details). Loosen the two mounting bracket nuts and bushings a few turns (see "a" in the illustration below). Use the included #8 Phillips screws to attach the face brackets (see "b" in illustration below). If using an extended mount, use the holes drilled using the drill template (see page 5 for details on extended mount). Tighten the nuts loosened earlier (see "a" below) to further secure the brackets.



WARNING: The face requires a 1/4" gap between the face and facing (tile, drywall, etc.). This gap provides airflow to allow the fireplace to operate correctly.

- The bottom shield must be mounted to the face prior to installation. Pre-thread the five holes in the aluminum extrusion on the back side of the face (use one or more of the #8 x 5/8" Hex Head Screws - see picture below). Attach the bottom shield to the face using these screws (see illustration below).





564 Shadowbox Face (w Screen) Instructions

Satin 95400430

Nickel 95400428

- 4 Replace the glass screen. With the face centered on the fireplace, lift the face up and hang it on the upper hooks on the face mounting brackets (see pictures below).

Operation Note for Units Without GreenSmart Remote

The face conceals the flame height adjustment knob on units not using the GreenSmart remote. Make sure to adjust the flame height to high before installing the face (or to other desirable setting).

- 5 With the face centered, lift up on it slightly while pushing the bottom inward (see photo below). The face should engage the lower hooks and slide down, securely in place.



- 6 Check the corners of the face opening to make sure the face is properly aligned left to right (photo below). The face may be adjusted slightly to ensure correct alignment.





564 Shadowbox Face (w Screen) Instructions

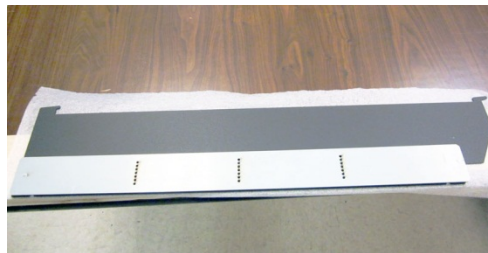
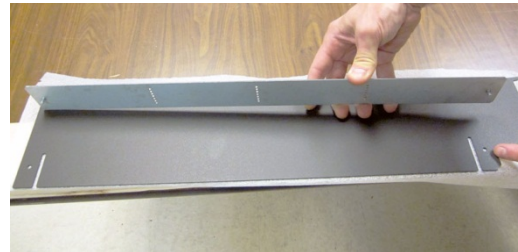
Satin 95400430

Nickel 95400428

Modifying the Face Brackets for Extended Installations (for use with tile, marble, etc.)

This face includes face brackets that may be modified to allow tile or other non-combustible to be placed between the face and fireplace. By drilling holes with the included template, the installer can move the face forward, allowing non-combustible facing to fit between the face and fireplace (see directions below). Make sure the face maintains a ¼" gap behind the face to the facing to allow for proper airflow.

1. Place one face mounting bracket on a surface suitable for drilling (scrap piece of wood). Place a layer of microfoam over the bracket then put the second mounting bracket over the top (this prevents scratching). Place the drill template over the brackets so the two press studs insert into the upper and lower guide holes (template orientation does not matter - the template is symmetrical).



2. We recommend clamping the template and mounting brackets together to ensure proper alignment.



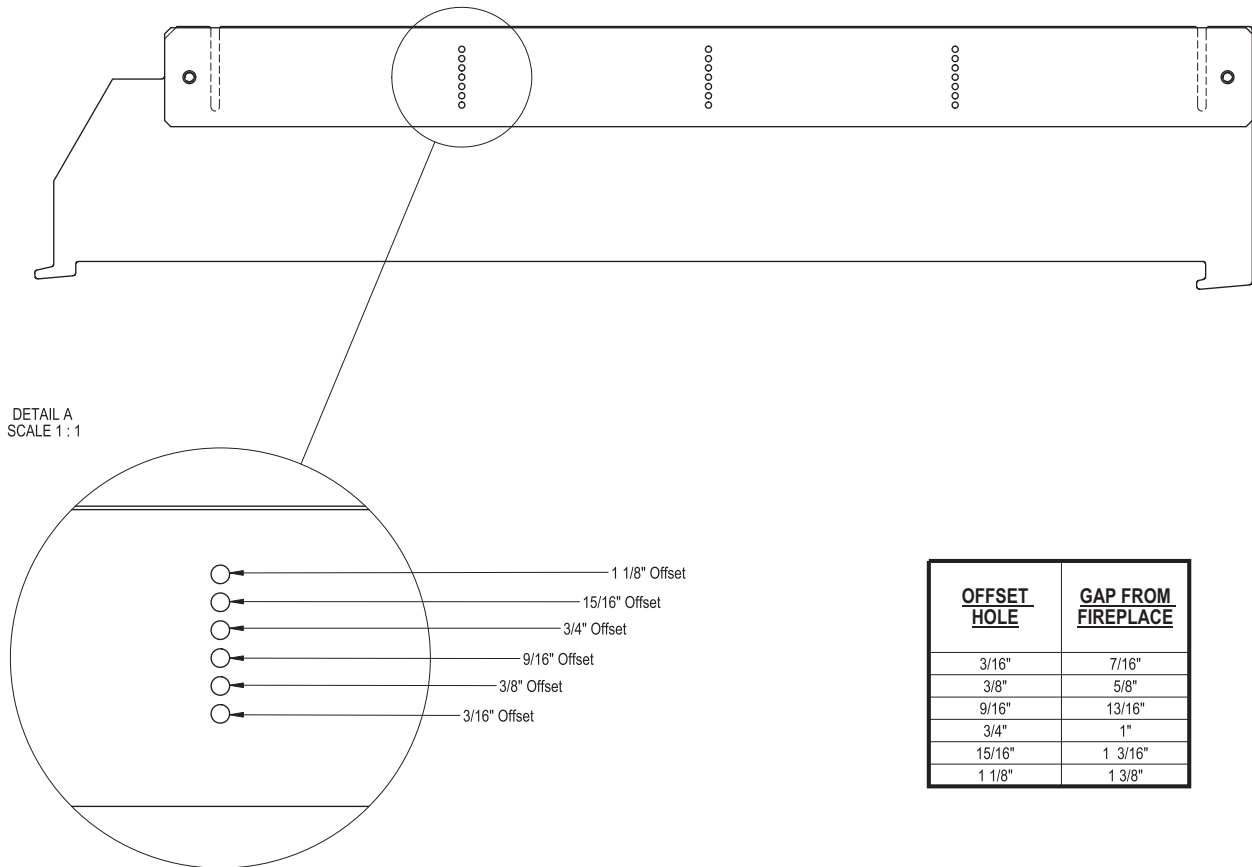


564 Shadowbox Face (w Screen) Instructions

Satin 95400430

Nickel 95400428

3. Determine the facing depth you wish to use (see illustration below).



4. Use a drill and the included 11/64" drill bit to drill the 3 holes for the facing depth desired.



5. When installing the face brackets, secure the brackets through the holes drilled using the template.



564 Shadowbox Face (w Screen) Instructions

Satin 95400430

Nickel 95400428

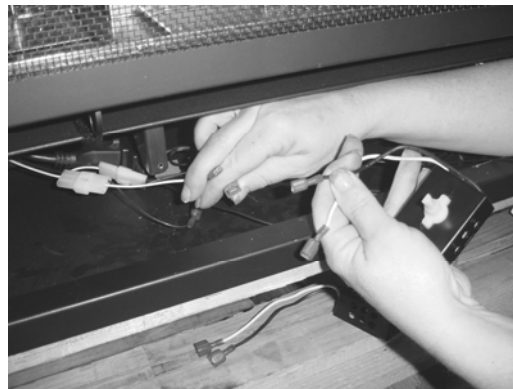
Switch Box Installation (used for 564 SS stock appliances only)

This face includes a switch box used only on those units that do not have a GreenSmart remote (564 SS in stock configuration or with a basic remote). To install the switch box, follow the instructions below.

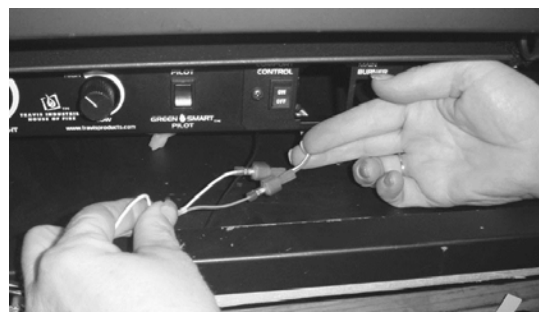
- 1 Disconnect power to the fireplace (use circuit breaker if necessary). Remove the concealment cover from the fireplace (it lifts up and off the mounting brackets – see owner’s manual). Remove the four screws securing the control panel to allow access to the wiring. Carefully press on the back side of the on/off switch to disconnect it from the control panel (you may wish to disconnect the small plate on the control panel for better access). Disconnect the on/off switch wires.



- 2 Pull the knob off the accent light rheostat. Unscrew the rheostat nut to remove the rheostat from the control panel. Disconnect the two wires leading to this rheostat.



- 3 If using an optional blower, remove the blower rheostat (see step 2 above for rheostat removal).
NOTE: The blower rheostat and accent light rheostat use different connectors. Label the rheostats, if necessary, to ensure correct orientation.
- 4 Connect the wires labeled ON/OFF on the Switch Box wiring harness to the on/off wires on the fireplace.
NOTE: The wire harness has unique ends. Make sure to use the correct end.



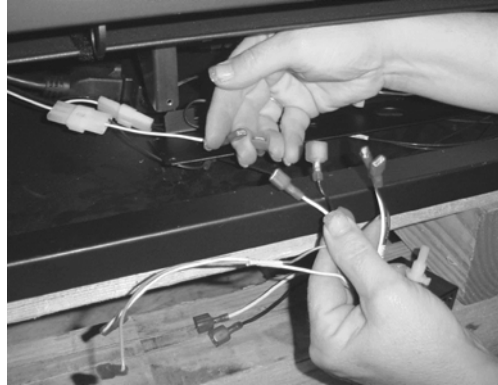


564 Shadowbox Face (w Screen) Instructions

Satin 95400430

Nickel 95400428

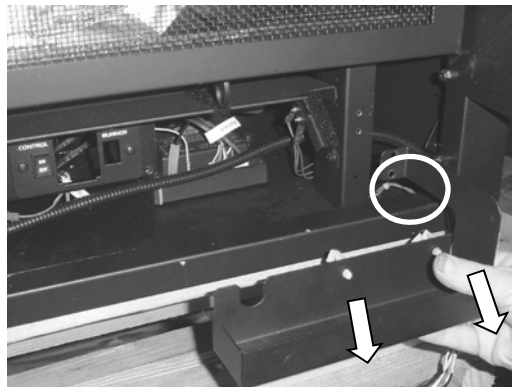
- 5 Connect the wires labeled LIGHT CONTROL on the Switch Box wiring harness to the accent light wires on the fireplace. If using an optional blower, connect the wires labeled FAN CONTROL on the Switch Box wiring harness to the blower wires on the fireplace.



- 6 Route the switch box wiring harness around the right side support leg.



- 7 Press the wire hanger clips into the switch box (see the two white arrows in the picture below). Attach the switch box to the right side support leg with two of the included #8 Phillips screws (see circle in picture below).



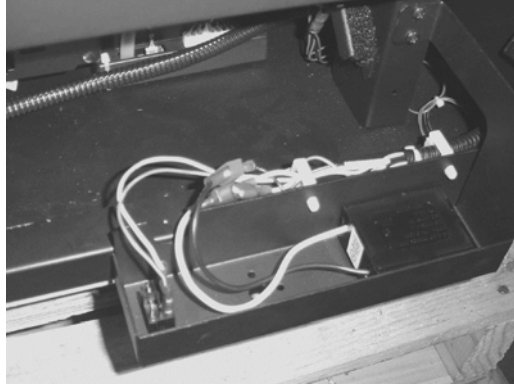


564 Shadowbox Face (w Screen) Instructions

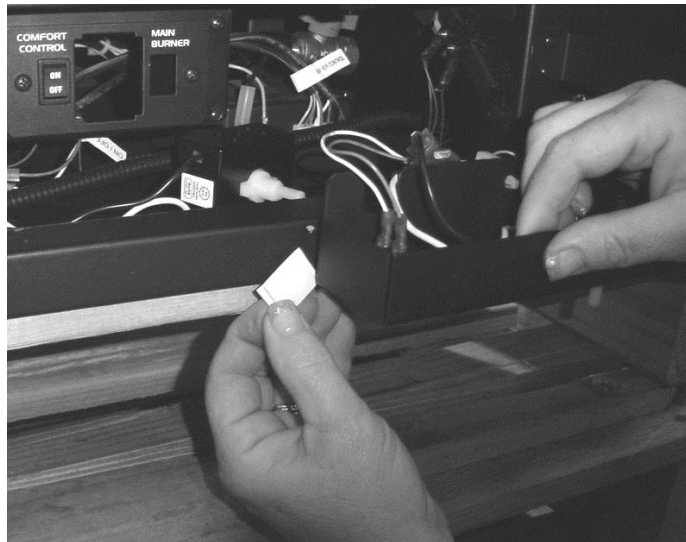
Satin 95400430

Nickel 95400428

- Press the on/off switch into the switch box (wire orientation does not matter). Attach the accent light rheostat to the right side mounting position on the switch box and replace knob. Install the blower rheostat (if applicable). Connect the wiring to the components (see photo below). Route the wires through the wire hanger clips on the back side of the switch box.



- Attach the double-back tape to the back left side of the switch box (see photo below). This secures the switch box to the fireplace and prevents it from vibrating.



- Make sure all wiring is properly routed and does not contact any hot or moving components. Replace the control panel and concealment cover to complete installation of the switch box.
- Attach the control label to the face as shown below, 9.25" away from the bottom right edge of the face.

