



564 HO Ember-Fyre Burner and Log Set Installation Instructions (sku 96900116)

Packing List

- Burner Assembly
- Grate Assembly
- Log Set
- Intake Restrictor
- Air Deflectors, NG and LP
- (2) Andiron Clips
- (2) Rivets for burner
- Burner Support Bracket
- Bag of embers

Installation Tips



If using propane (LP), convert the appliance before installing the burner.



Make sure to have the firebacks for the appliance on hand. They will be installed during burner installation.

Installation Warnings



The logs are fragile, especially after being exposed to heat.



Make sure the gas control valve is OFF and the heater is cool before servicing.



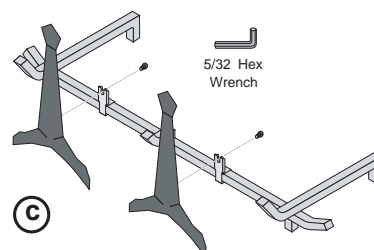
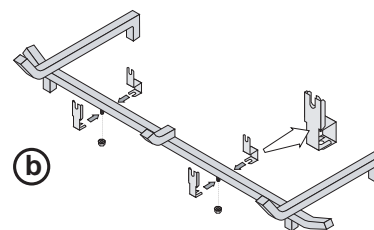
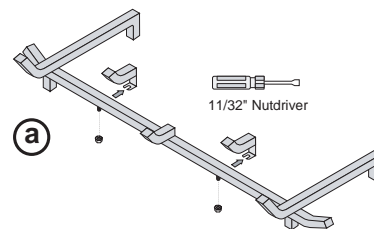
Failure to position the parts in accordance with these diagrams or failure to use only parts specifically approved with this appliance may result in property damage or personal injury.



The burner must be correctly positioned before installing the logs. Make sure the burner is fully seated and the pilot is properly aligned.

Andiron Clips

NOTE: Two andiron clips are included for those installations using andirons. See the directions to the right to install.

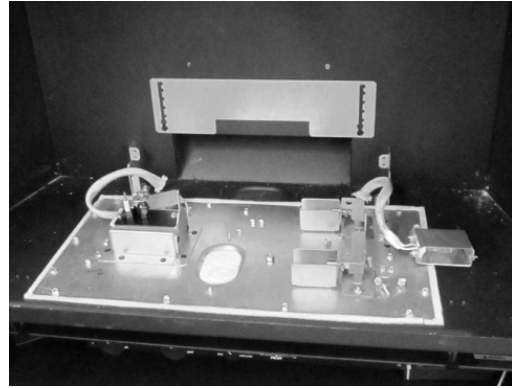
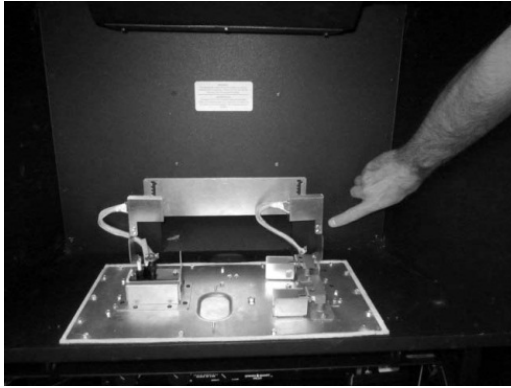




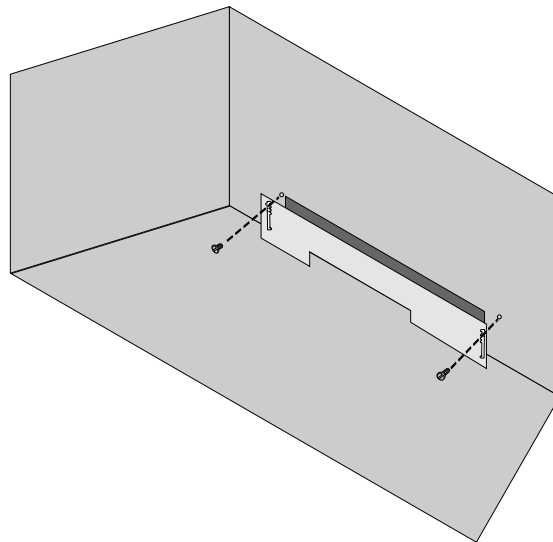
564 HO Ember-Fyre Burner and Log Set Installation Instructions (sku 96900116)

Log Set Installation

1. Remove both accent lights from the brackets and place them on the firebox floor, as shown below.

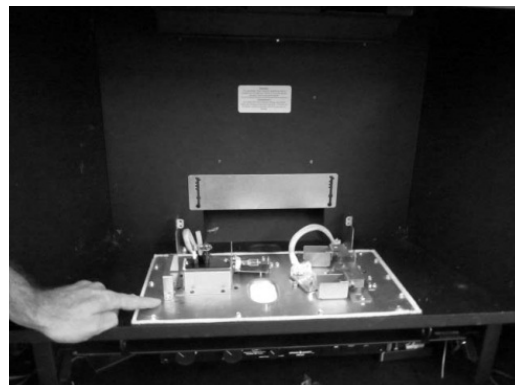
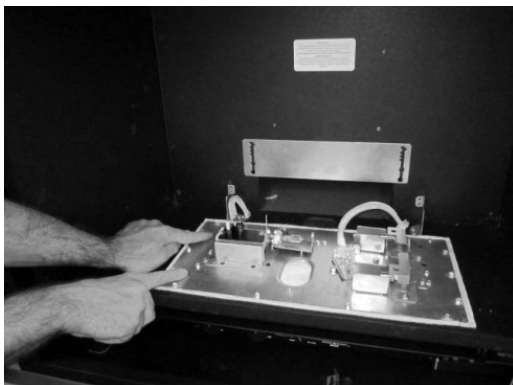


2. Install the intake restrictor as shown below. Use the screws pre-installed on the rear wall of the firebox. The intake restrictor is located behind the accent lights, on the rear wall of the firebox. Set the intake restrictor to the correct setting for the vent configuration; see the owner's manual for details.



3. Install the burner support bracket, as shown below.

NOTE: The notch in the bracket faces inward.

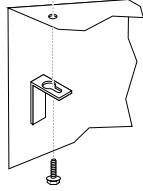




564 HO Ember-Fyre Burner and Log Set Installation Instructions (sku 96900116)

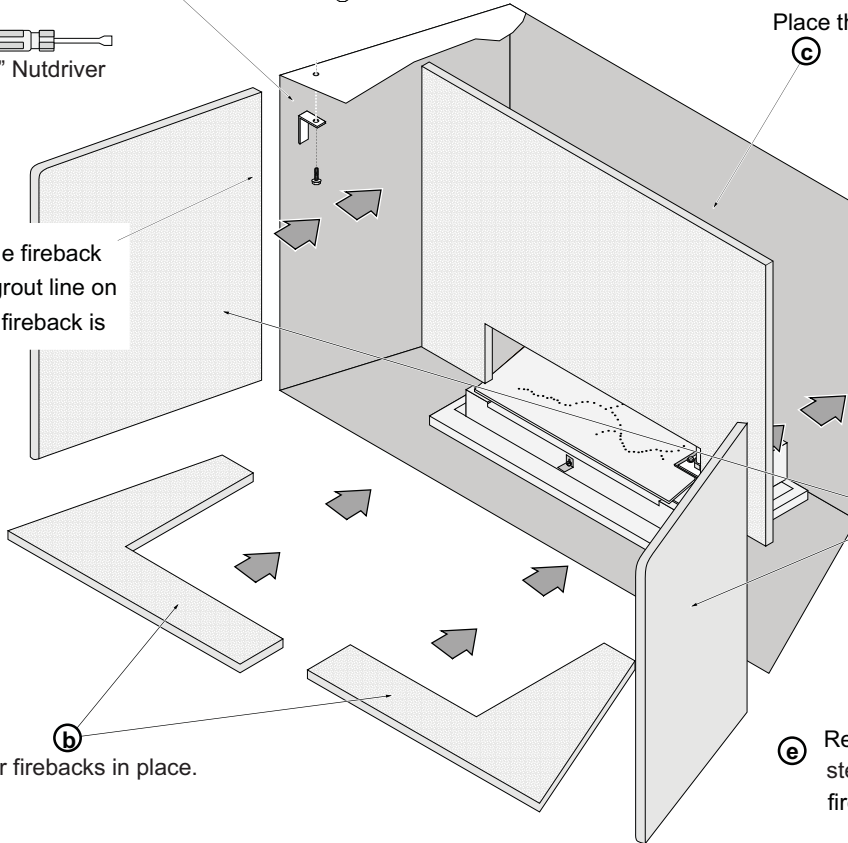
4. Install the firebacks as shown below.

- a** Remove the clip located on the firebox ceiling near the front (both sides). The side fireback clip has a keyhole slot. It can be removed by loosening the screw and sliding the clip out.



1/4" Nutdriver

NOTE: Place the fireback so the vertical grout line on the edge of the fireback is facing the rear.



Place the rear fireback in place.

c

Place the side firebacks in place.

d

Replace the clips removed in step "a" to secure the side firebacks.

e

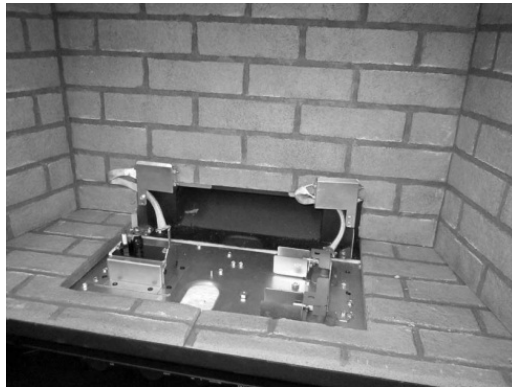
Place the floor firebacks in place.

b

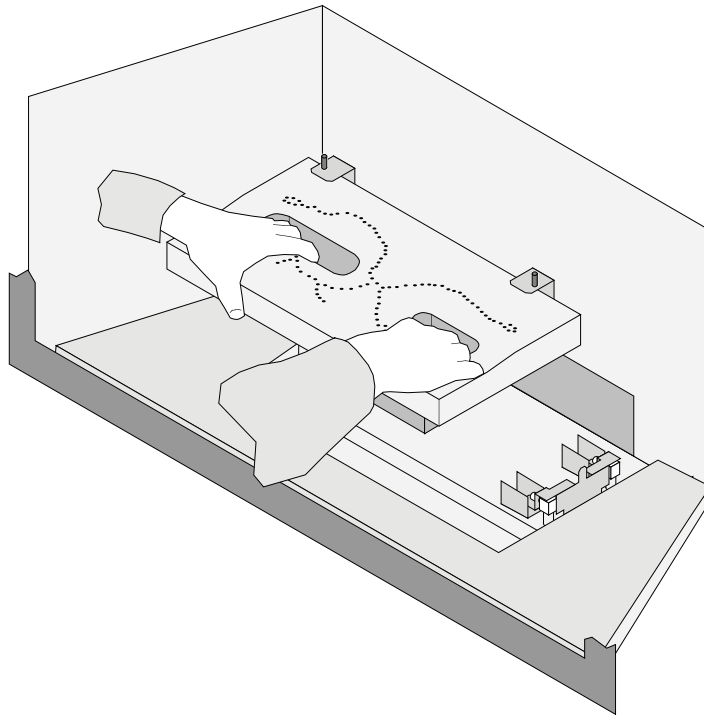


564 HO Ember-Fyre Burner and Log Set Installation Instructions (sku 96900116)

5. Replace the Accent Lights. The fireplace should now look as shown below.



6. Install the burner inside the firebox.



7. Install the grate on top of the burner. Note how the grate slides into metal clips on the sides of the burner.





564 HO Ember-Fyre Burner and Log Set Installation Instructions (sku 96900116)

8. Install the correct air deflector as shown below. Note how the dimple inserts into a slot on the burner ("a").

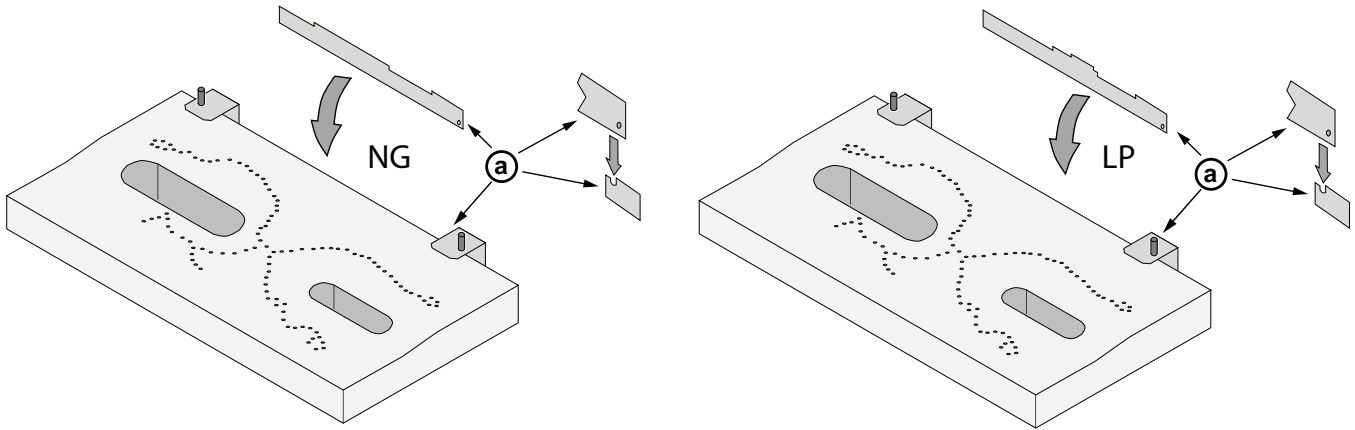


Figure 1: Deflector Replacement

9. Install the rivets on the burner as shown below.

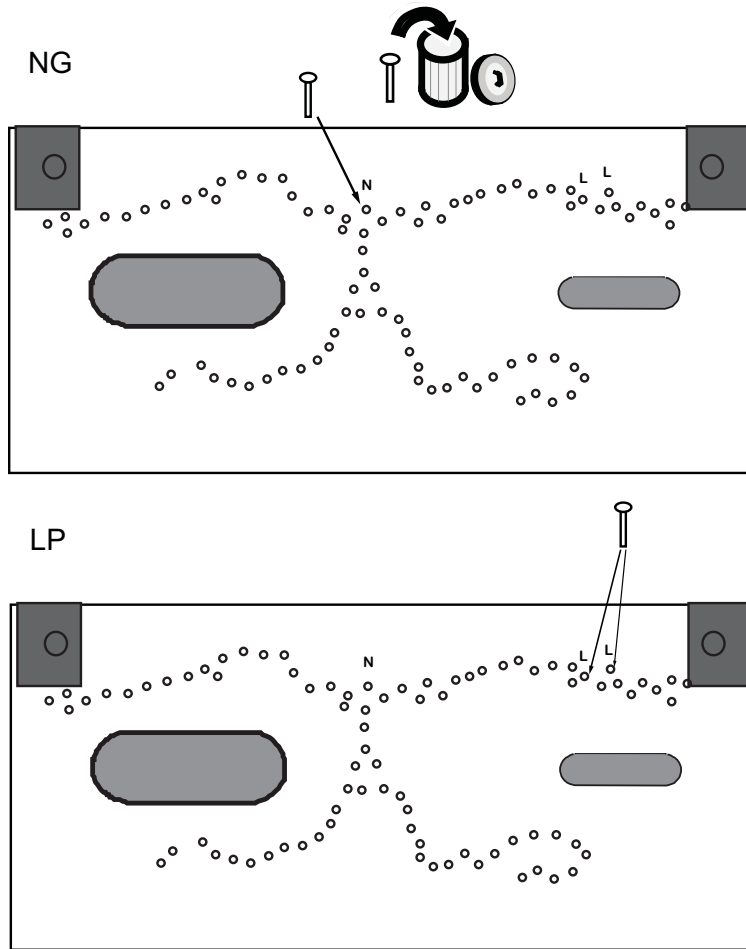


Figure 2: Rivets Placement



564 HO Ember-Fyre Burner and Log Set Installation Instructions (sku 96900116)

10. Install the Rear Log onto the 2 pins at the rear of the firebox, as shown below. The log rests against the back wall or fireback.
NOTE: NG and LP configurations require different log placement settings. For NG pull the rear log forward for maximum glow. For LP push the rear log to the back to avoid sooting.



Figure 3: Rear Log Location



Figure 4: Rear Log Installed

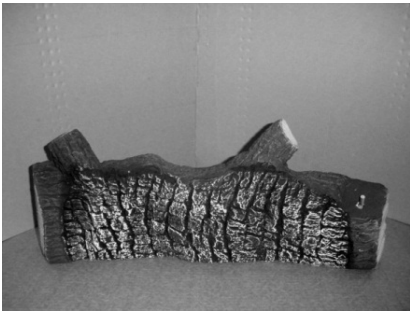


Figure 5: Rear Log - Top View

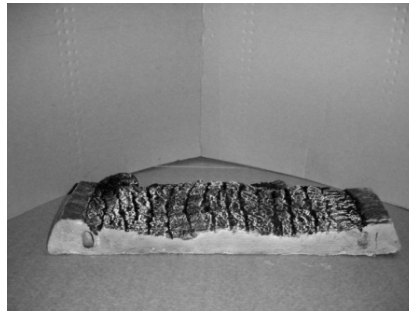


Figure 6: Rear Log - Bottom View

11. Install the Left Log onto the 2 pins at the left of the firebox, as shown below. Note how the pin and metal post insert into the holes on the log.



Figure 7: Left Log Location



Figure 8: Left Log Installed



Figure 9: Left Log - Top View



Figure 10: Left Log - Bottom View



564 HO Ember-Fyre Burner and Log Set Installation Instructions (sku 96900116)

12. Install the Right Log onto the 2 pins at the right of the firebox, as shown below. Note how the two pins on the burner insert into the holes on the log.



Figure 11: Right Log Location



Figure 12: Right Log Installed



Figure 13: Right Log - Top View



Figure 14: Right Log - Bottom View

13. Install the Center Ember Chunk as shown below. Note how the pin inserts into the hole on the log.



Figure 15: Center Ember Chunk Location



Figure 16: Center Ember Chunk Installed



Figure 17: Center Ember Chunk - Top View



Figure 18: Center Ember Chunk - Bottom View



564 HO Ember-Fyre Burner and Log Set Installation Instructions (sku 96900116)

14. Install the Right Log Chunk as shown below. Note how it rests on the grate and fireback.



Figure 19: Right Log Chunk Location



Figure 20: Right Log Chunk Installed



Figure 21: Right Log Chunk - Top View



Figure 22: Right Log Chunk - Bottom View

15. Install the Left Log Chunk as shown below. Note how the flat portion of the log rests on the grate.



Figure 23: Left Log Chunk Location

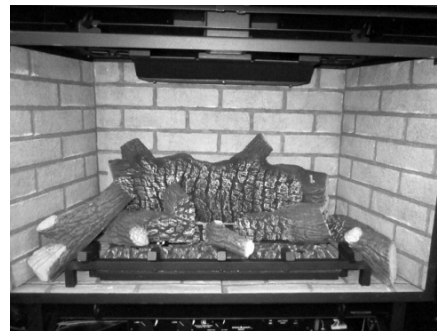


Figure 24: Left Log Chunk Installed



Figure 25: Left Log Chunk - Top View



Figure 26: Left Log Chunk - Bottom View



564 HO Ember-Fyre Burner and Log Set Installation Instructions (sku 96900116)

16. Install the Right Twig as shown below. Note how the flat side of the twig fits on the right log and the pin on the rear log.



Figure 27: Right Twig Pin



Figure 28: Right Twig Installed



Figure 29: Right Twig - Top View



Figure 30: Right Twig -- Bottom View

17. Remove the embers from their bag and place them around the front of the firebox, as shown below.

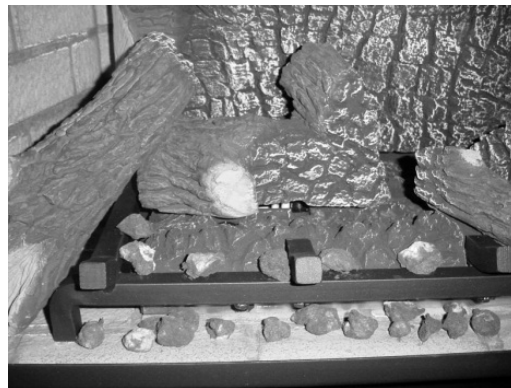


Figure 31: Embers Placed