

864 Black Glass Fireback Installation Instructions (96100837)

Compatibility

- 864 DLX TRV GSR2 31K - 98500186
- 864 DLX CF TRV GSR2 31K - 98500187
- 864 TOP VENT 40K GSR2 - 98500178
- 864 CF TOP VENT 40K GSR2 – 98500179

Packing List

- (1) Rear Fireback
- (2) Side Firebacks

COMPATIBILITY EXCEPTION: This kit can be used as a replacement in older GSR2 units that already have an existing fireback kit. For that application, the existing fireback floor must be used. The glass firebacks will rest on the fireback floor. Additionally, you will need to order replacement retainer clips (sku# **250-04787**). The new retainer clips are slightly longer and will allow for the thinner glass firebacks to be secured properly in the firebox.

GLASS FIREBACK WARNINGS

HANDLING THE FIREBACKS: The glass firebacks are fragile – especially the edges. Take care to prevent contacting/scraping the glass against metal or rough surfaces. You may wish to lay out a blanket during installation in case you need to set the firebacks down.

We recommend the use of gloves and safety glasses during the installation of the glass firebacks.

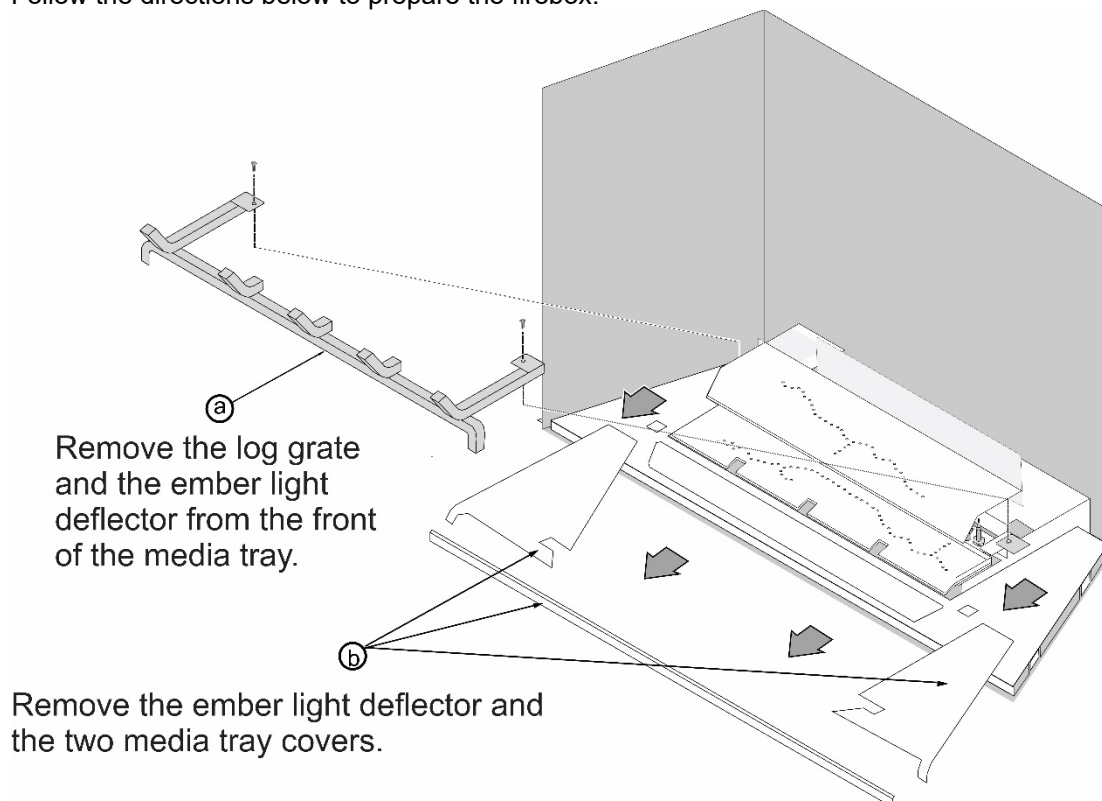
CLEANING

These firebacks require periodic cleaning. Do not use ammonia-based cleaners (this may cloud the glass). We recommend ammonia-free glass cleaner (i.e. vinegar and water) to clean the fireback.

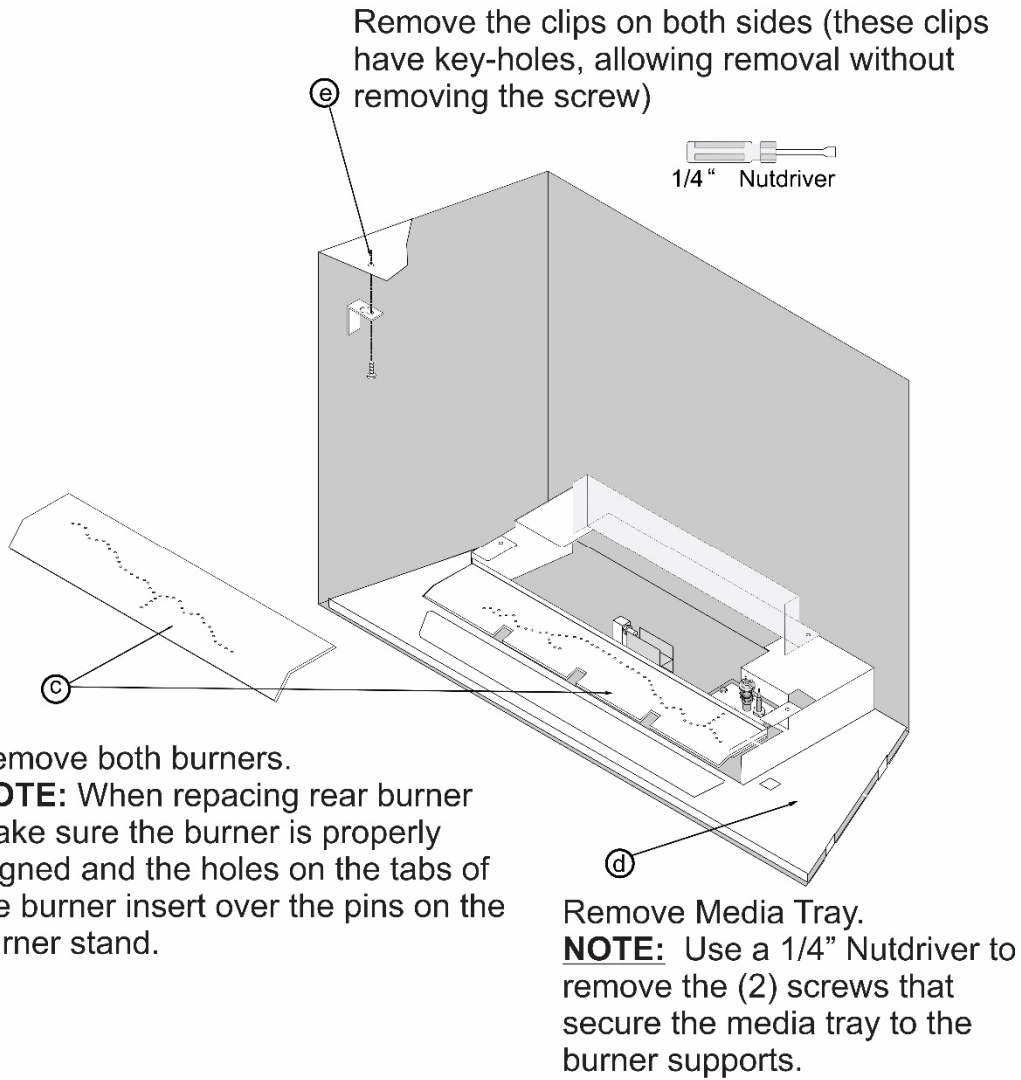
Installation

WARNING Turn off gas to the appliance and make sure it has fully cooled prior to conducting service.

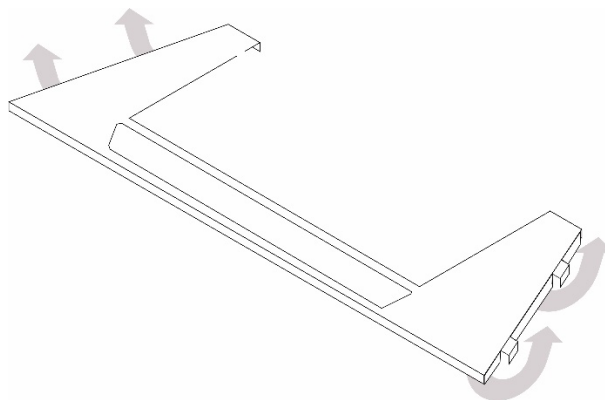
1. Remove the glass frame and logs (see the installation manual for details).
2. Follow the directions below to prepare the firebox.



864 Black Glass Fireback Installation Instructions (96100837)

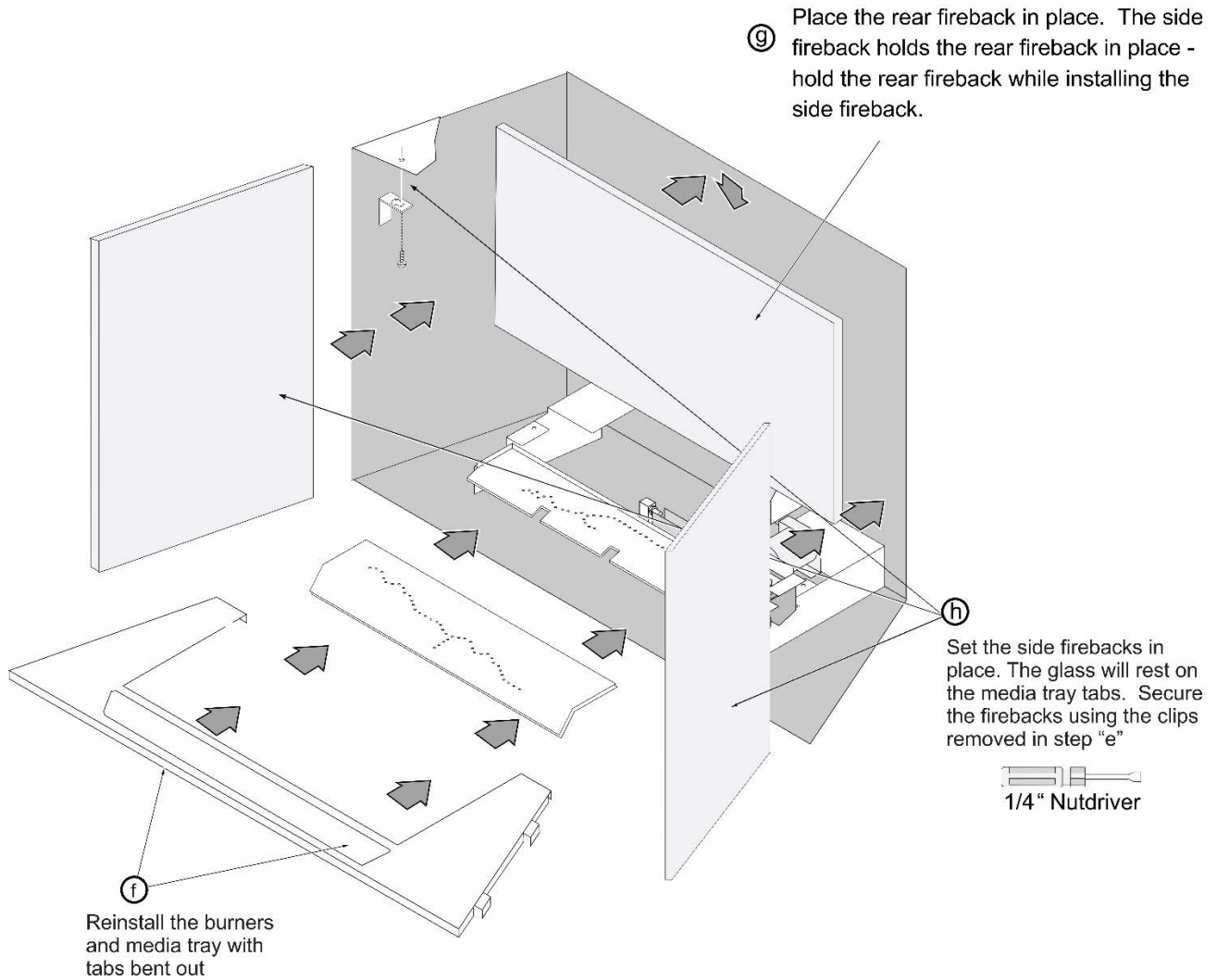


3. On each side of the media tray you will find (2) bendable tabs. Gently bend the tabs out 90°



864 Black Glass Fireback Installation Instructions (96100837)

4. Install the firebacks following the directions below



5. Restore the fireplace to the correct configuration.