

Compatibility:

- 864TRV Fireplace
- 864ST Fireplace
- 864HO Fireplace

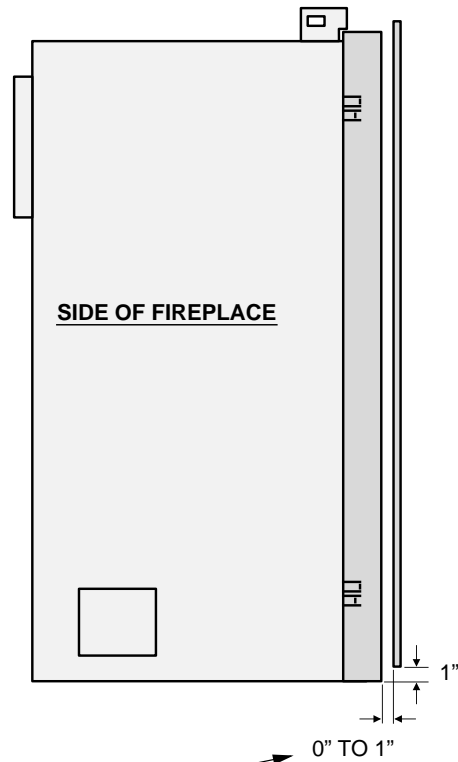
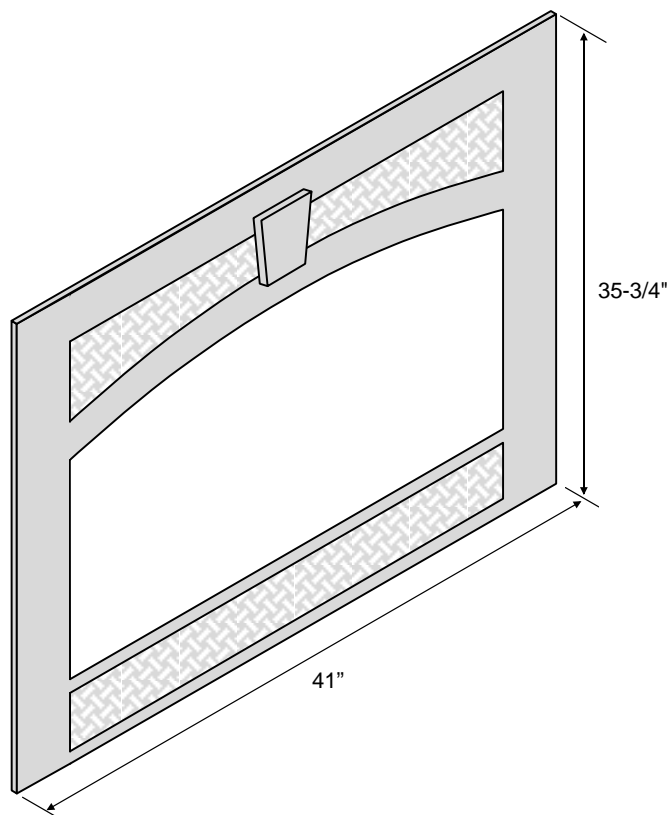
Packing List:

- Face
- Face Baffle
- (2) Upper Face Brackets (w screws attached)
- (4) Fireplace Brackets (upper and lower)
- (4) 8-32 Nuts
- (2) 10-24 1-1/2" Screws
- Patina Touch-Up Kit (Patina Faces Only)

Hand-Rubbed Patina Finishes

The optional patina finish is hand applied by a skilled artisan to permanently alter the metal colors and texture of the face. Each face is individually hand-polished and fired in an oven which imparts unique color subtleties with no two finishes alike. The patina finish on your face is a "living" color and will age and antique over time. Enjoy the timeless, rich luster of your beautiful new face.

Installation Details

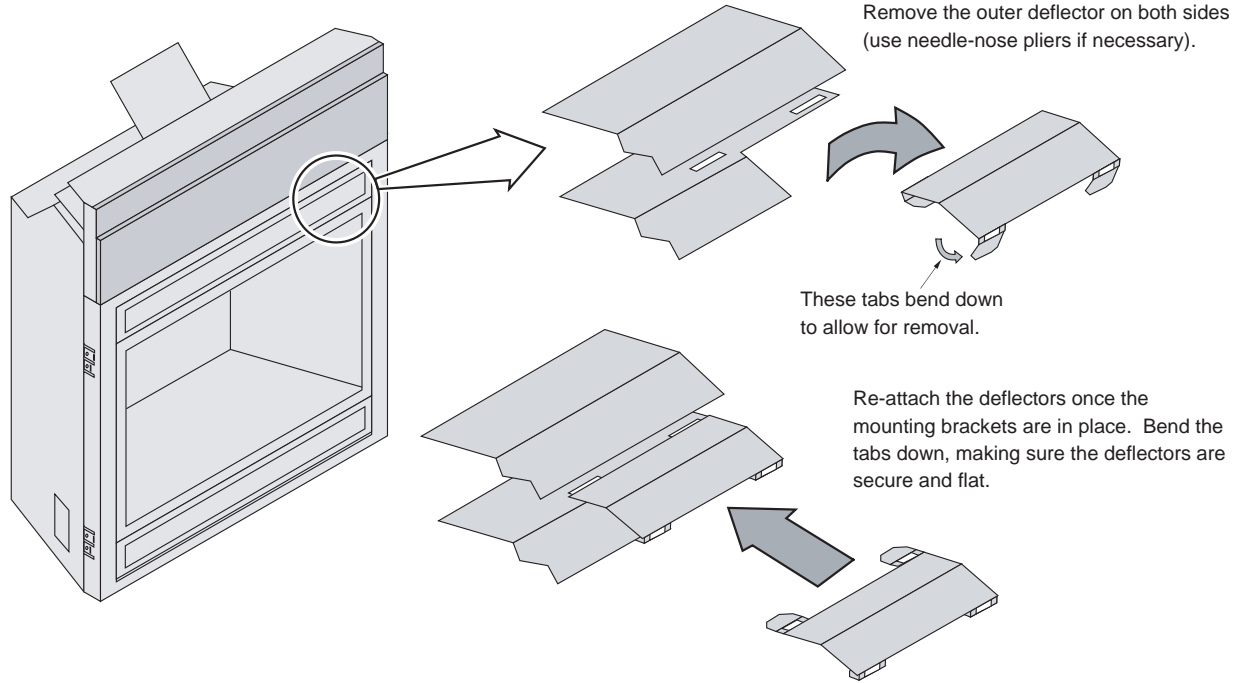


NOTE:

This face has an adjustable bracket that allows for different facing depths to be tucked under the face.

Special Instructions for 864HO Fireplaces

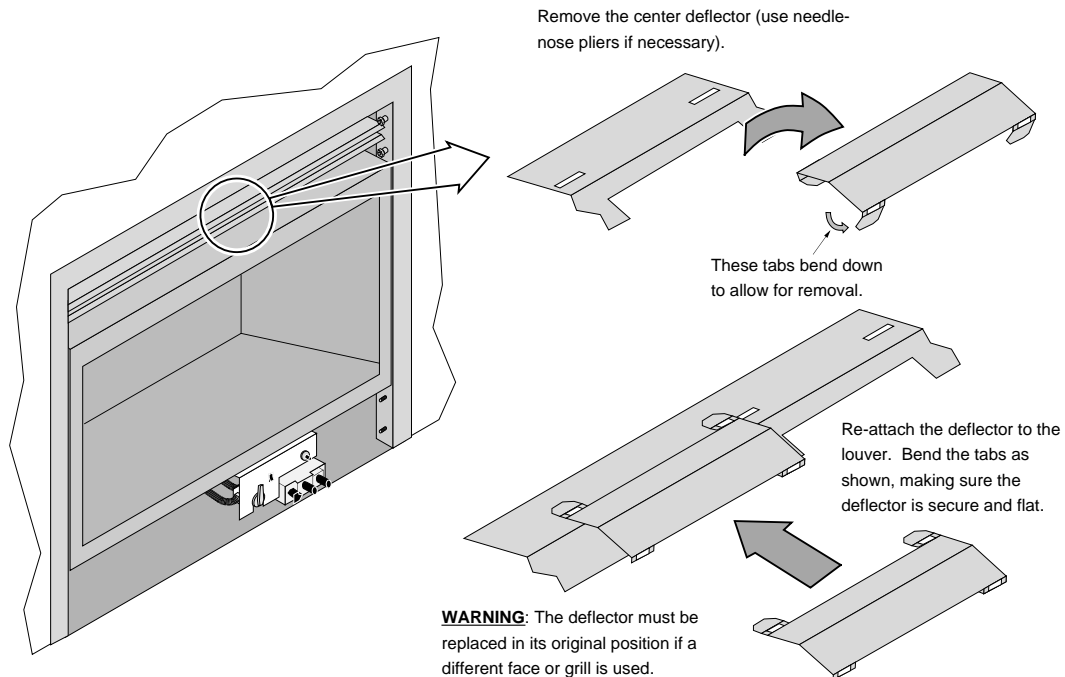
The Wilmington face requires the outer grill deflectors to be removed to allow for installation of the face mounting brackets. Once the brackets are installed, replace the deflectors. See the instructions below.



Special Instructions for 864ST Fireplaces

The Wilmington face requires removal of the center deflector prior to installing the face.

NOTE: This deflector must be replaced to its original position if a different face or grill is used.

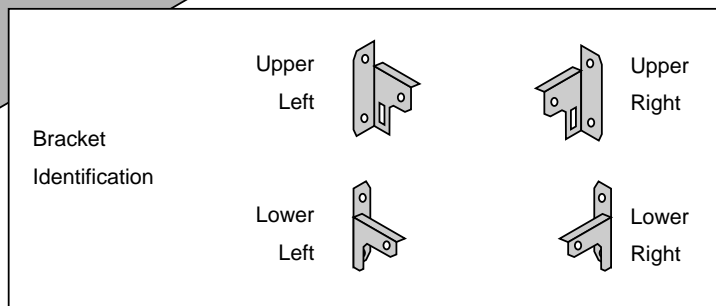
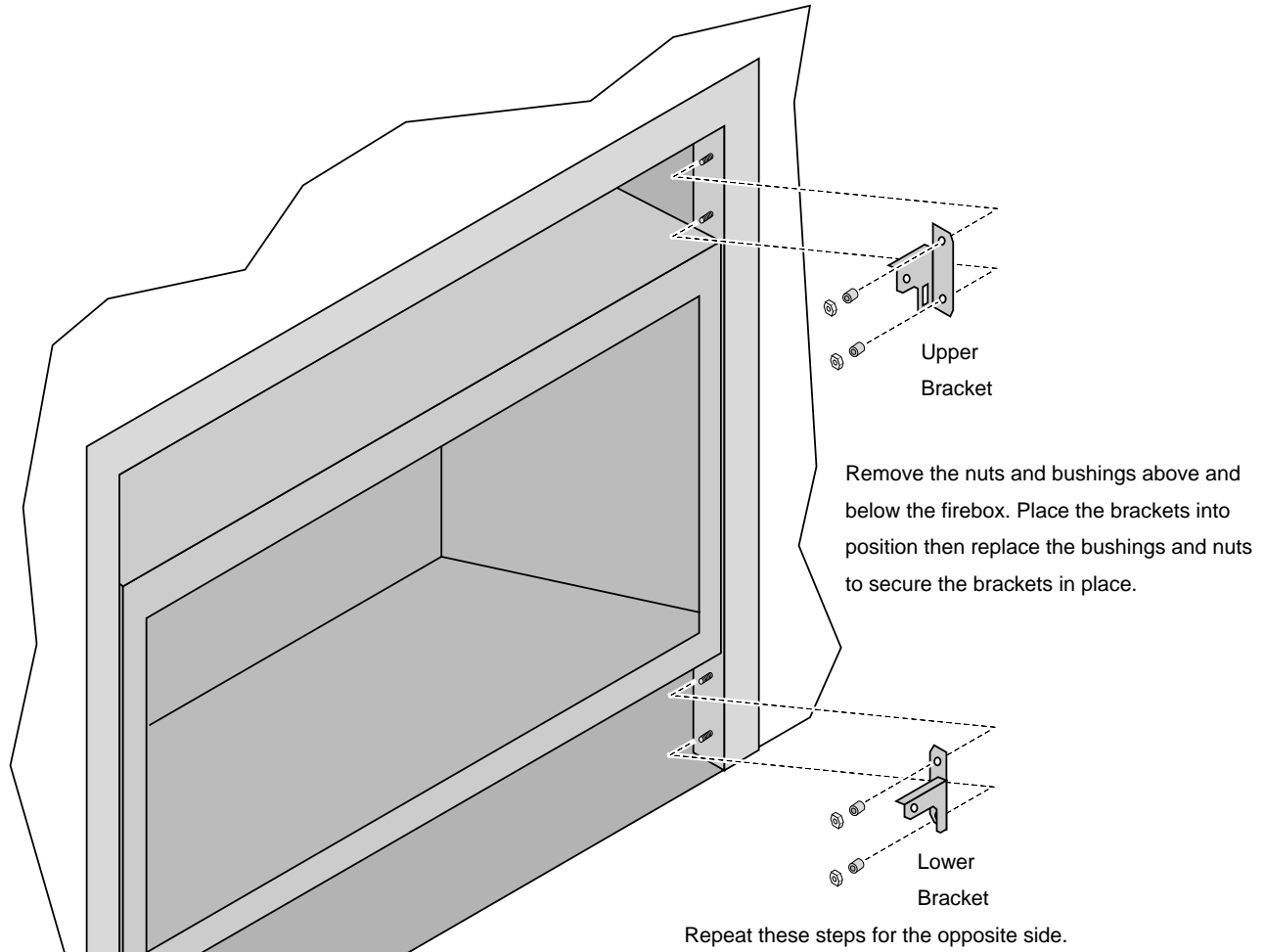


Installation

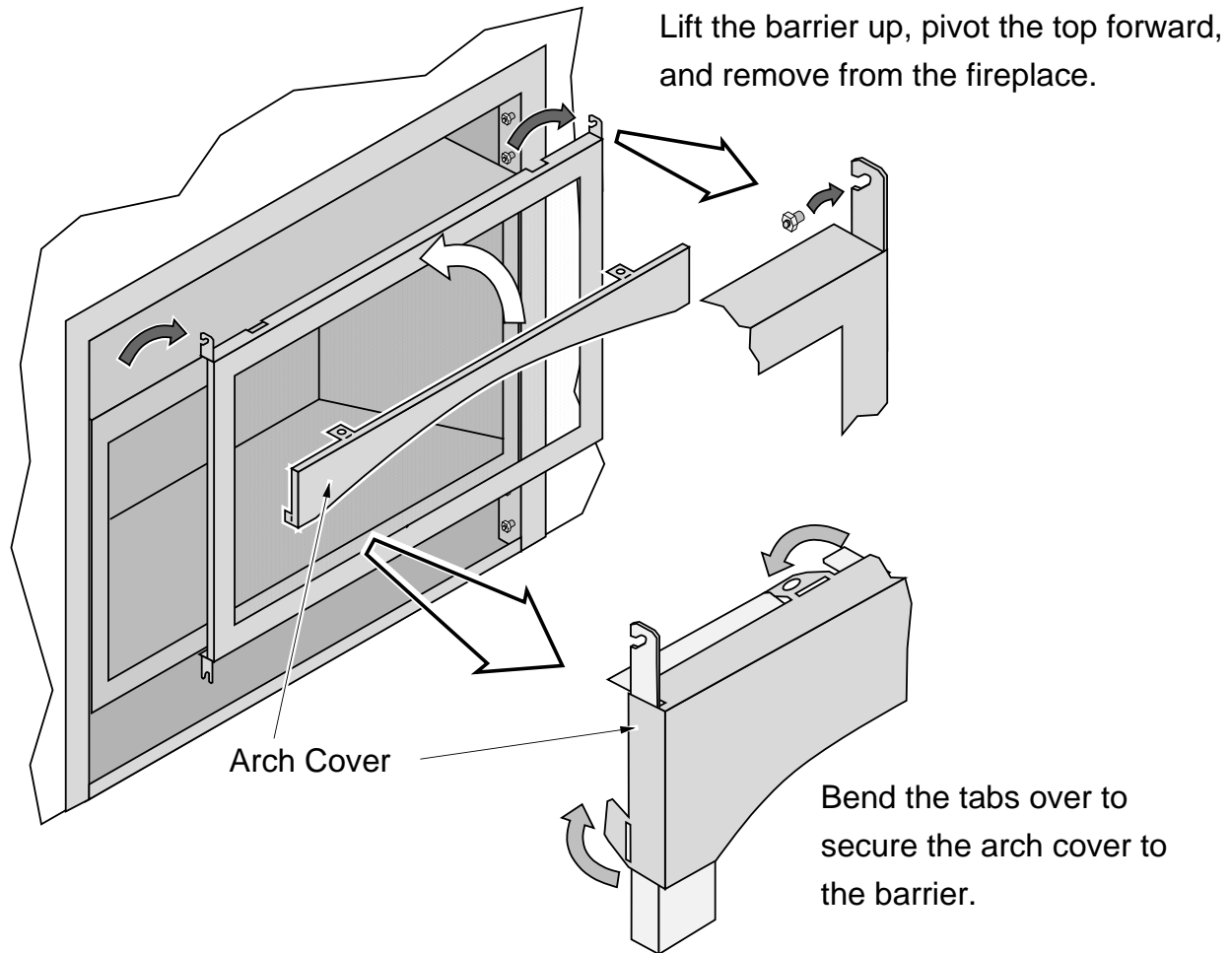
NOTE FOR FIREPLACES WITH DETACHABLE SCREENS (2014 OR LATER)

If using a fireplace with a detachable screen (2014 or later), remove the screen prior to installation. Replace the screen before attaching the face. See the manual for details.

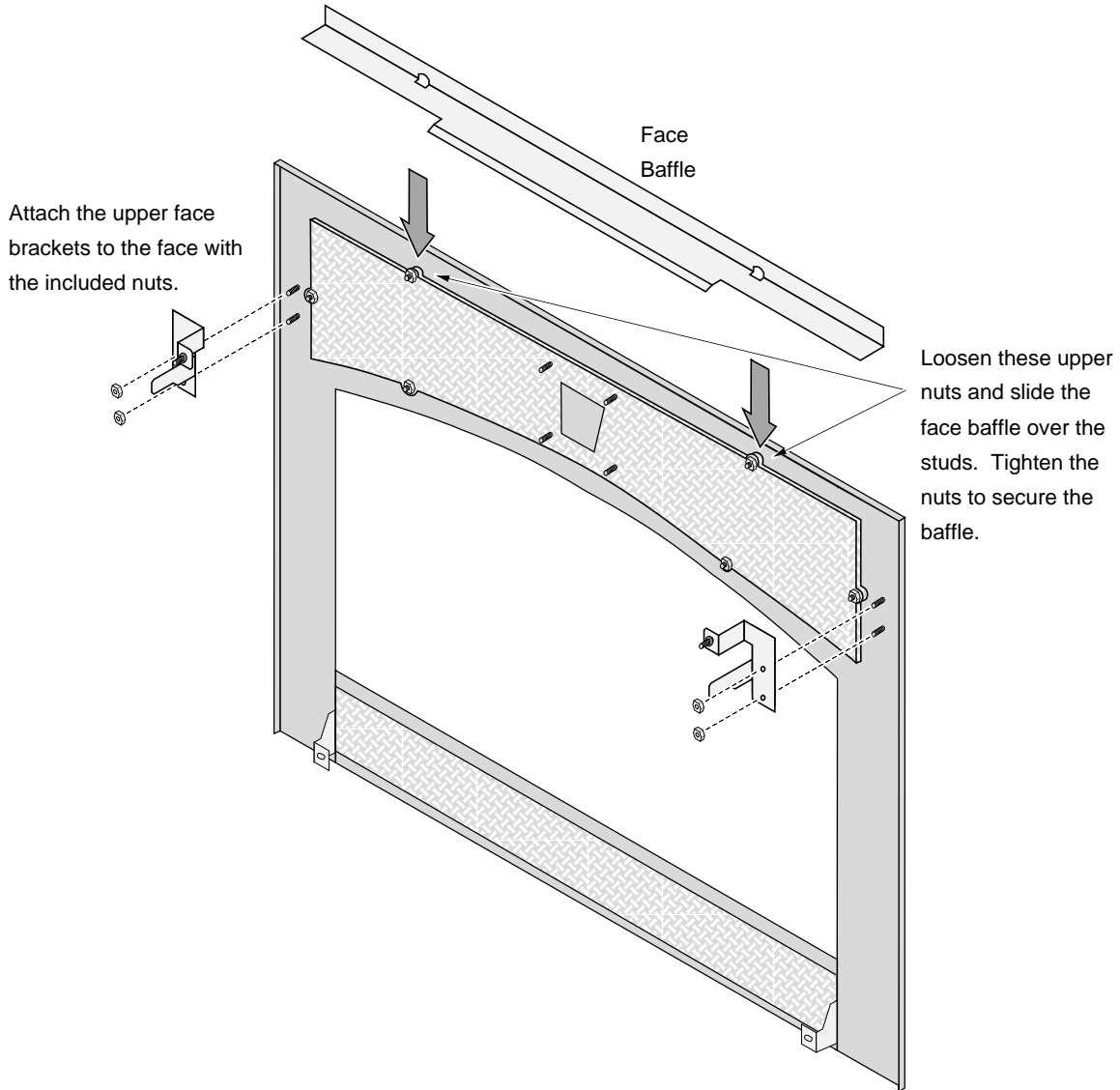
- 1 Install the fireplace brackets onto the fireplace following the directions below.



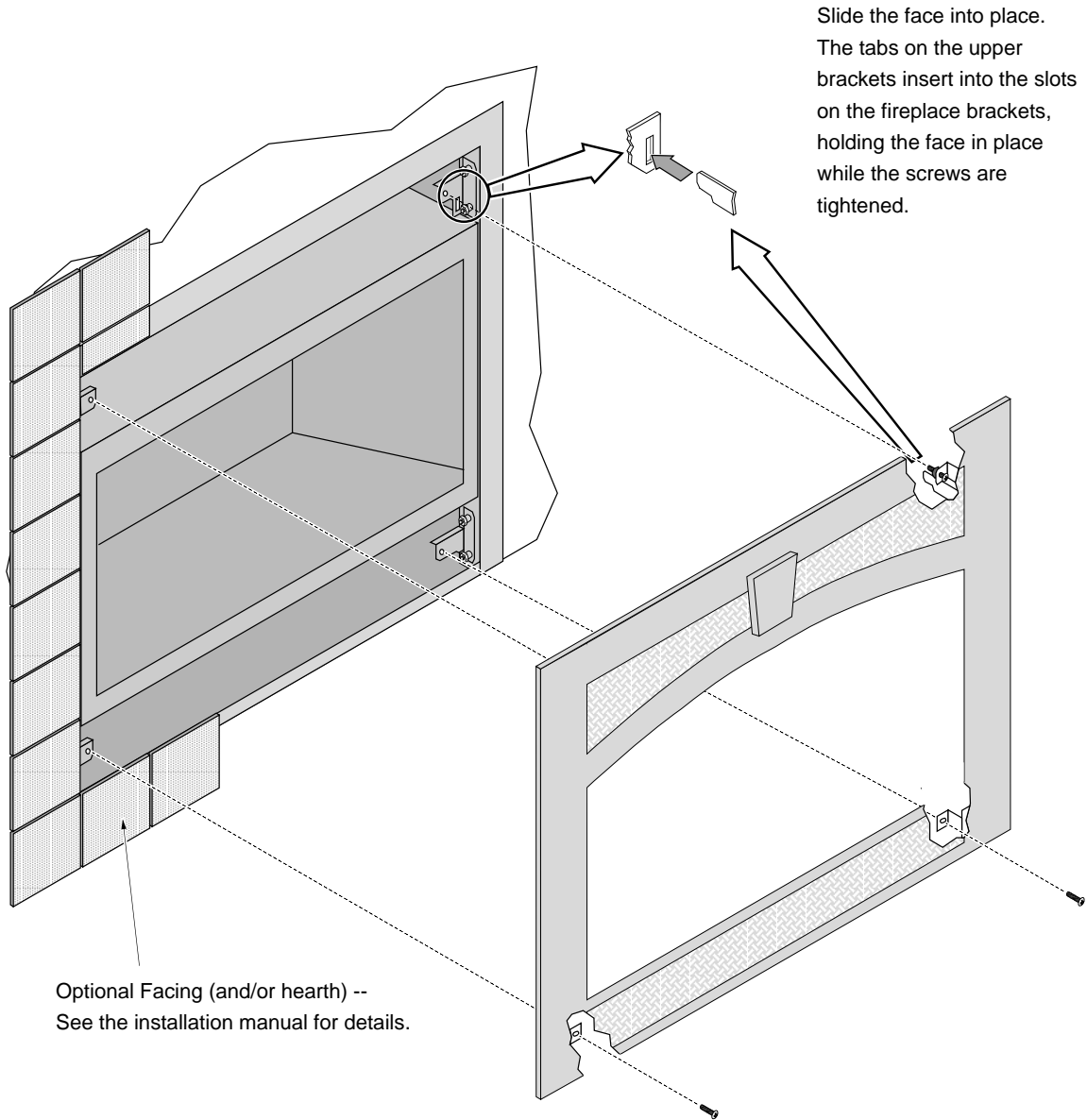
- Remove the glass barrier screen (see owner's manual for details). Secure the arch cover to the barrier following the directions below (arch cover is shipped with the fireplace). Replace the glass barrier.



3 Attach the face baffle and face brackets following the directions below.



4 Install the face following the directions below.



Plated Surfaces

Use denatured alcohol and a soft cloth to clean plated surfaces. Marks left on the surface may damage the face.

