

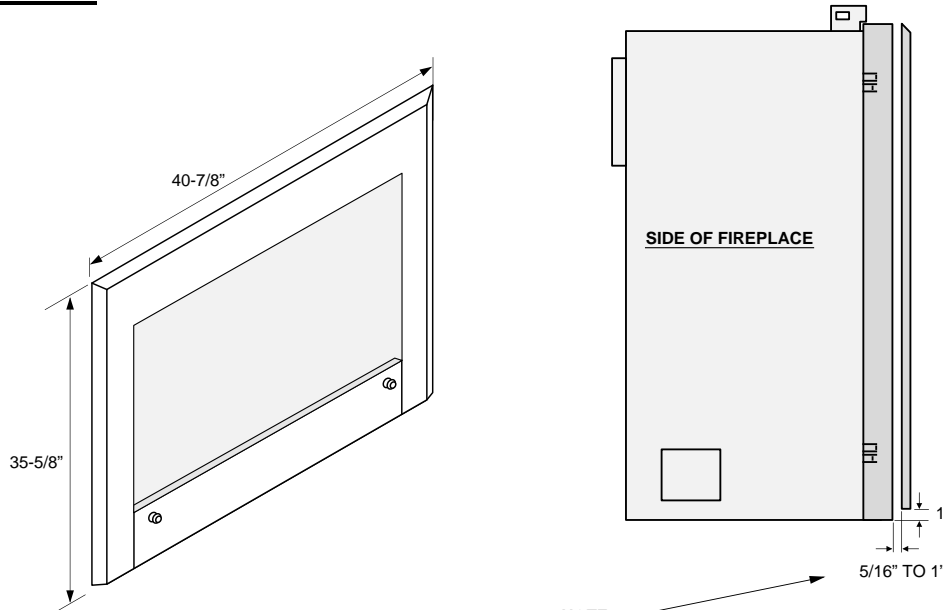
Compatibility:

- 864TRV Fireplace
- 864ST Fireplace
- 864HO Fireplace

Packing List:

- Face
- Face Mounting Brackets (upper and lower sets)
- (2) Face Brackets (w screws)
- (4) 8-32 Nuts
- (2) 10-24 1-1/2" Screws

Installation Details

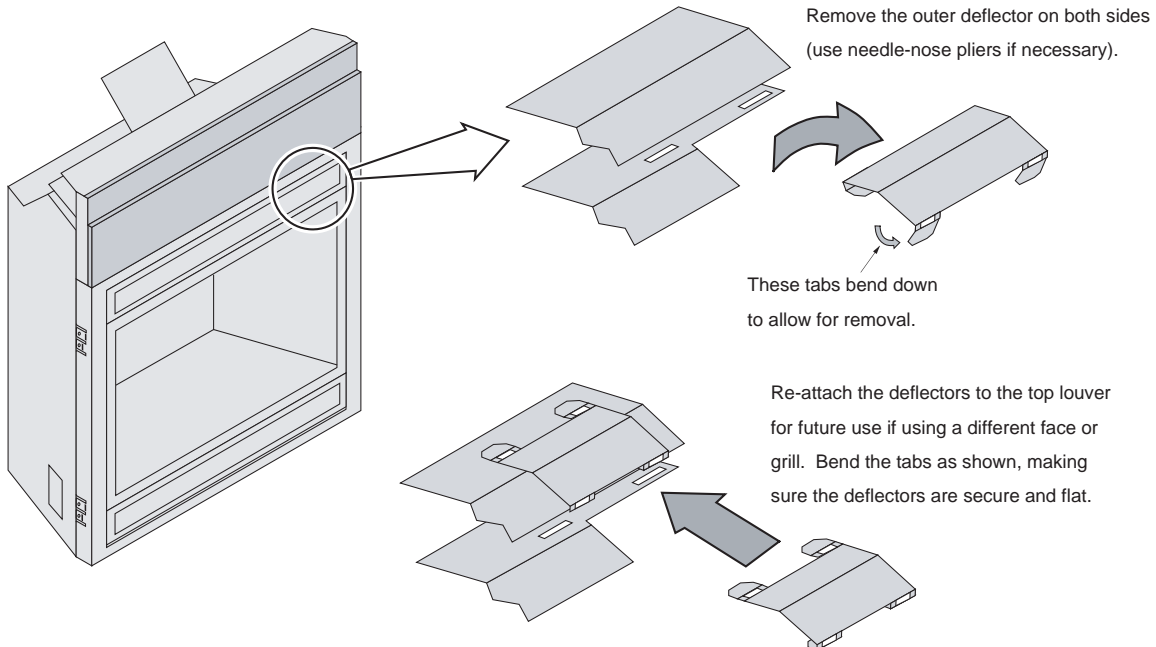


NOTE:

This face has an adjustable bracket that allows for different facing depths to be tucked under the face.

Special Instructions for 864HO Fireplaces

This face requires the outer grill deflectors to be removed. See the instructions below.



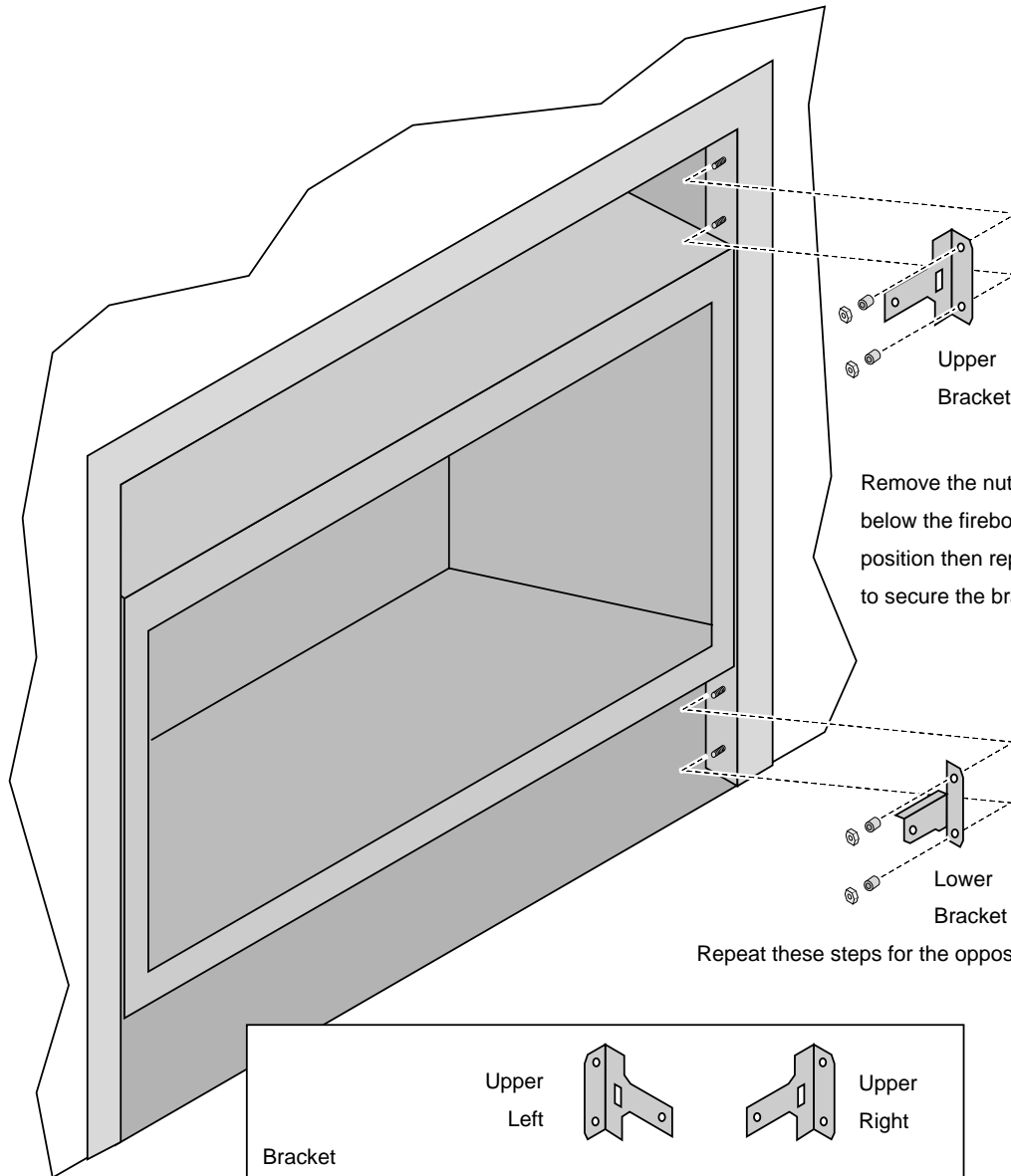


Installation

NOTE FOR FIREPLACES WITH DETACHABLE SCREENS (2014 OR LATER)

If using a fireplace with a detachable screen (2014 or later), remove the screen prior to installation. Replace the screen before attaching the face. See the manual for details.

- 1 Attach the brackets to the fireplace following the directions below.

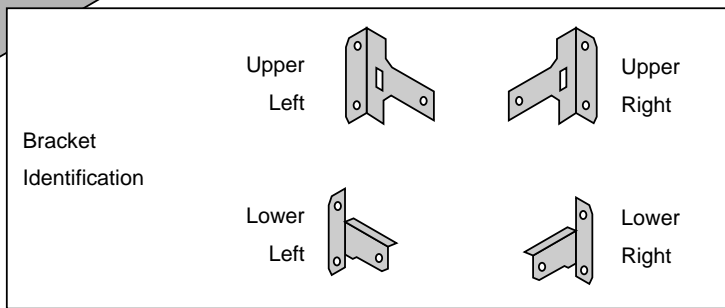


Upper Bracket

Remove the nuts and bushings above and below the firebox. Place the brackets into position then replace the bushings and nuts to secure the brackets in place.

Lower Bracket

Repeat these steps for the opposite side.





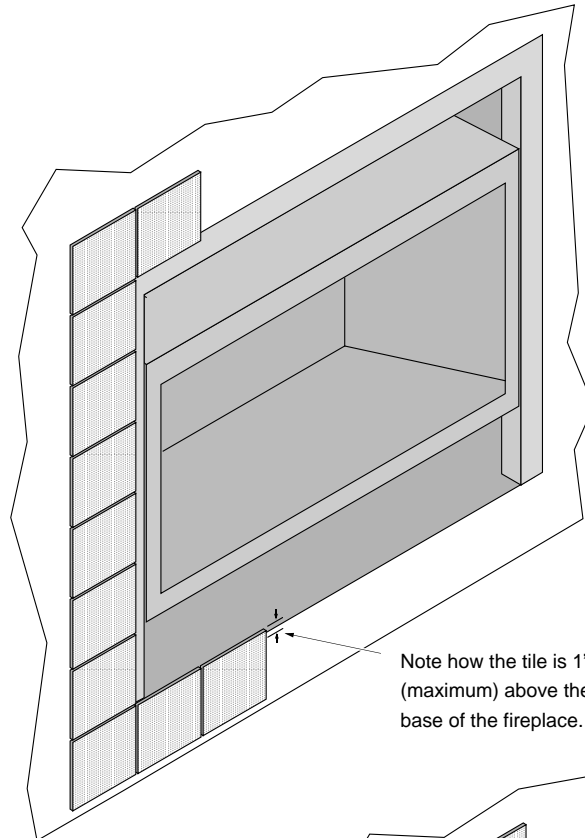
864TRV Rectangular Face

Black 95800623

Nickel 95800624

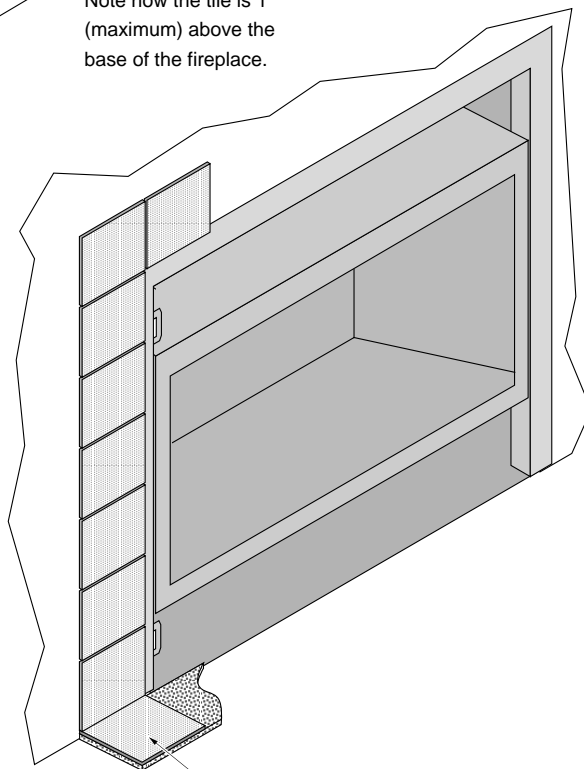
- The facing and hearth (if applicable) must be installed prior to attaching the face. See the installation manual for complete details.

Raised
Fireplaces



Note how the tile is 1"
(maximum) above the
base of the fireplace.

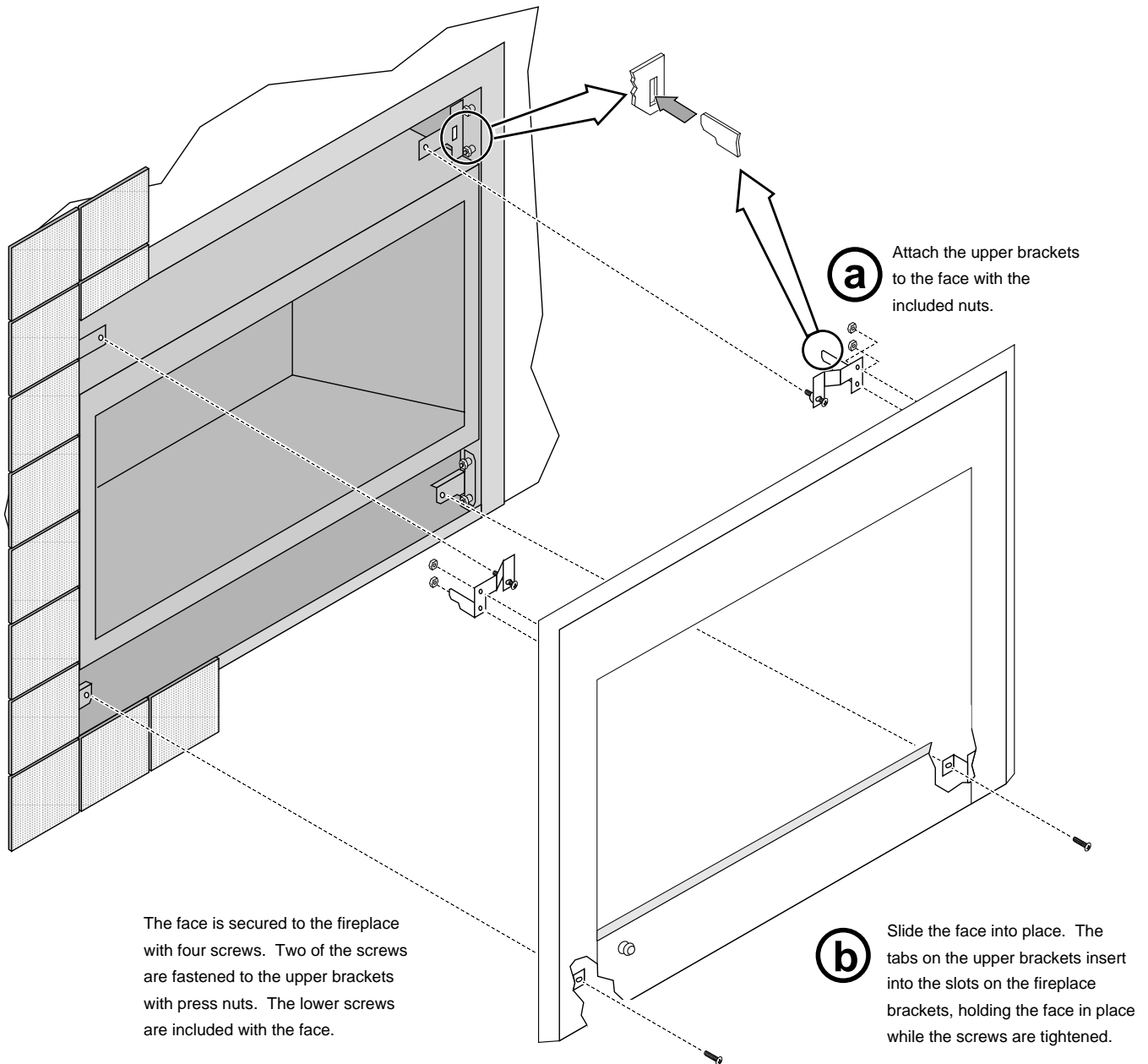
Floor-Level
Fireplaces



Maximum 1" Hearth



3 Install the face following the directions below.



Plated Surfaces

Use denatured alcohol and a soft cloth to clean plated surfaces. Marks left on the surface may damage the face.

