



# Fyre-Stones Set “C”

## Installation Instructions (sku 94700764)

---

### Items Required

- ¼” Crushed Glass (see page 14 for quantities):
  - Platinum (94500580)
  - Reflective Bronze (94500581)
  - Cobalt (94500582)

### Compatibility

- 33 DVI
- DVL GSR NB with Dancing-Fyre Burner
- 864 HO NB with Diamond-Fyre Burner
- Cypress Stove

### Installation Warnings



**The glass must be installed in accordance with this installation manual or instruction sheet. Failure to install the glass correctly may lead to a safety hazard and will void the warranty**



**The stones must be placed before placing the glass to prevent sooting.**

- **The stones are fragile, especially after being exposed to heat.**
- Make sure the gas control valve is “OFF” and the heater is cool prior to conducting service.
- Failure to position the parts in accordance with these diagrams or failure to use only parts specifically approved with this appliance may result in property damage or personal injury.
- The burner must be correctly positioned before installing the stones. Make sure the burner is fully seated and the pilot is properly aligned. See the Owner’s Manual for details on burner removal.

**HINT:** If using propane (LP), convert the appliance before installing the stones.

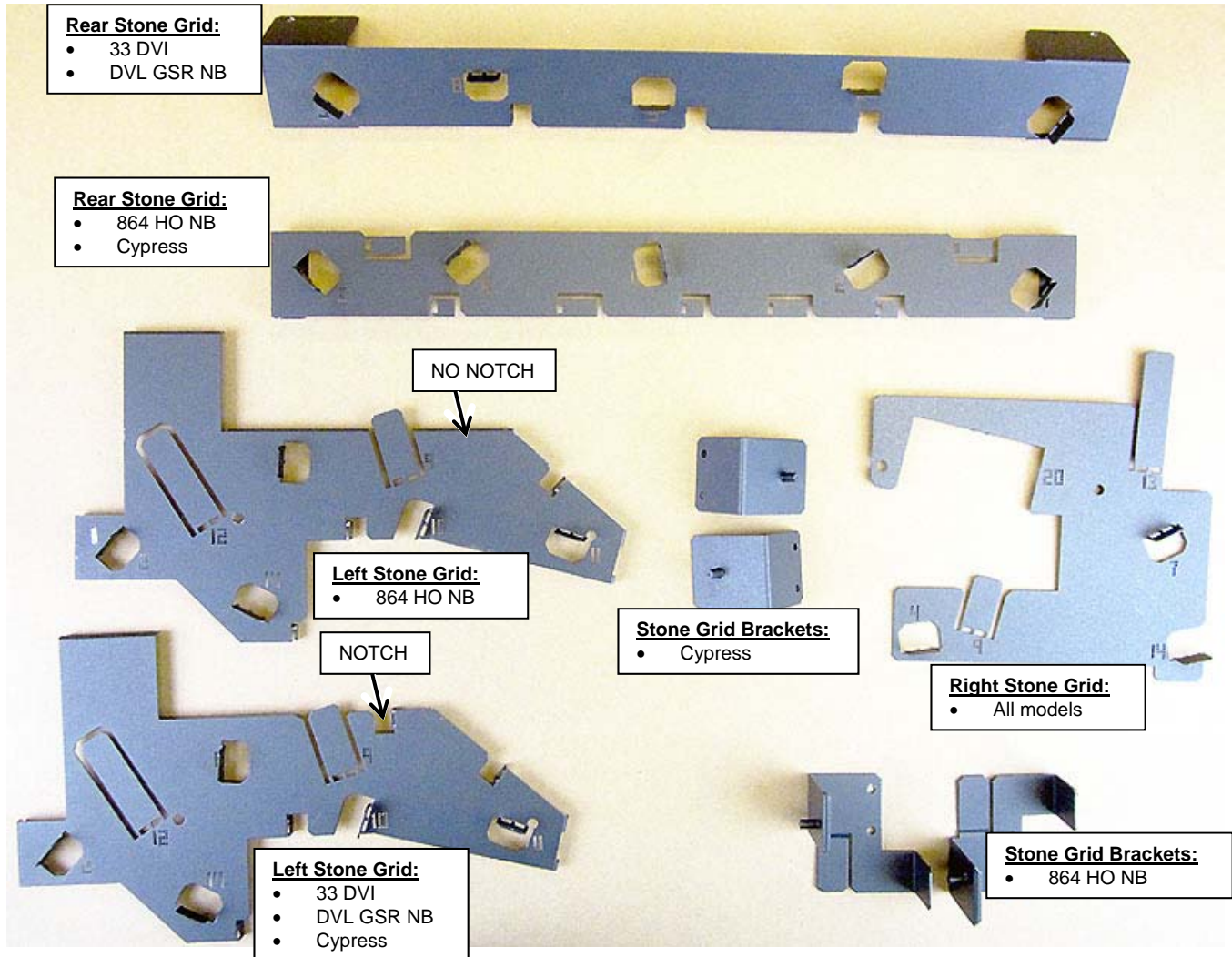
**HINT:** If using optional firebacks, first make the modifications to the burner. After modifying the burner, install the firebacks then the stones.



# Fyre-Stones Set "C" Installation Instructions (sku 94700764)

## Packing List

### Stone Grid Parts:



### Stone List

**NOTE:** Each stone is numbered on the bottom.

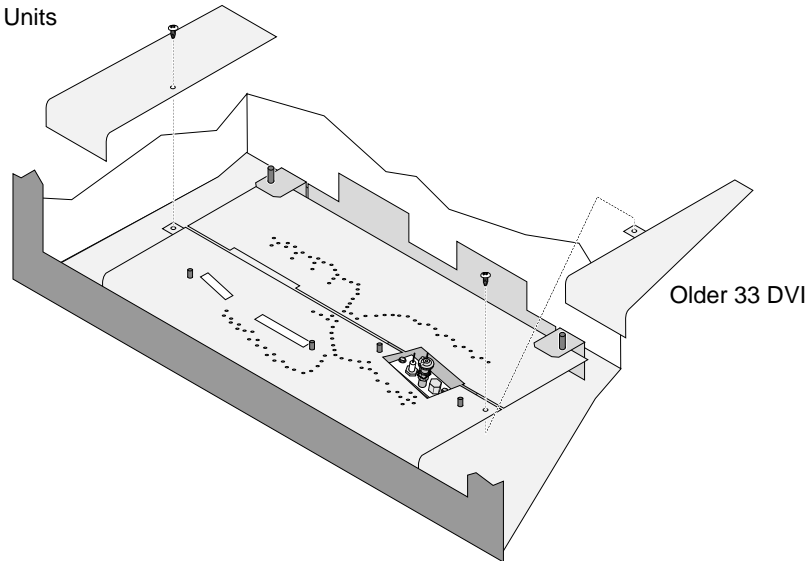
- #1 (3 stones)
- #2 (2 stones)
- #3
- #4
- #5 - 33 DVI / DVL GSR NB **ONLY**
- #7
- #8
- #9 (2 stones)
- #10
- #11
- #12
- #13
- #14 (2 stones)
- #16
- #20



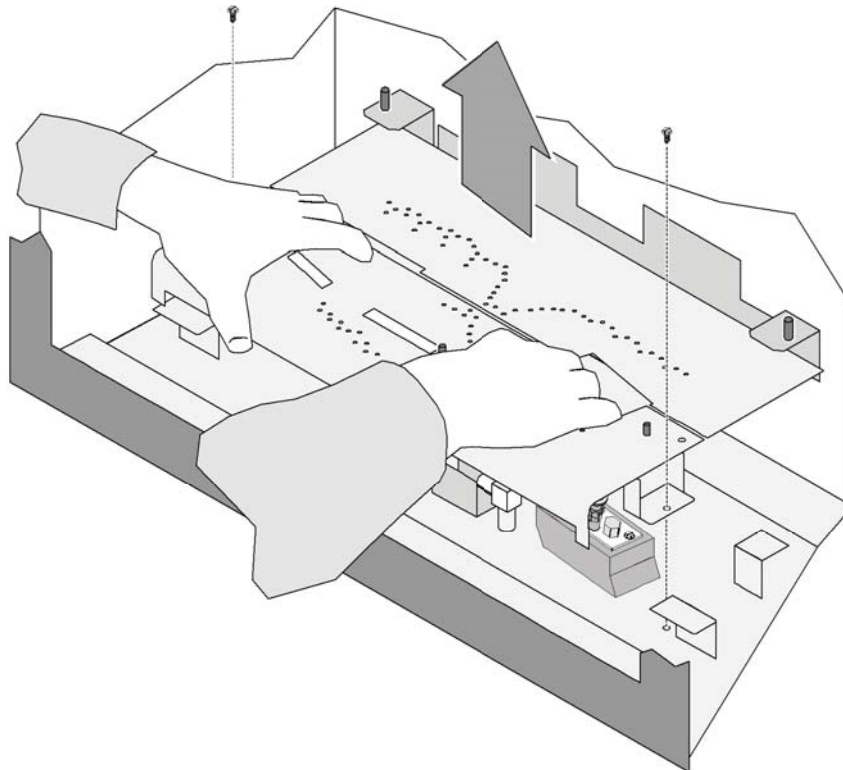
# Fyre-Stones Set "C" Installation Instructions (sku 94700764)

1. The stone set requires the burner to be modified. Remove the two screws holding the ember trays in place (see below). Remove the ember trays.

Newer Units



2. Remove the two screws holding the burner in place (see below). Grasp the burner with both hands and lift it straight up and out of the firebox. Place the burner on a suitable work surface.





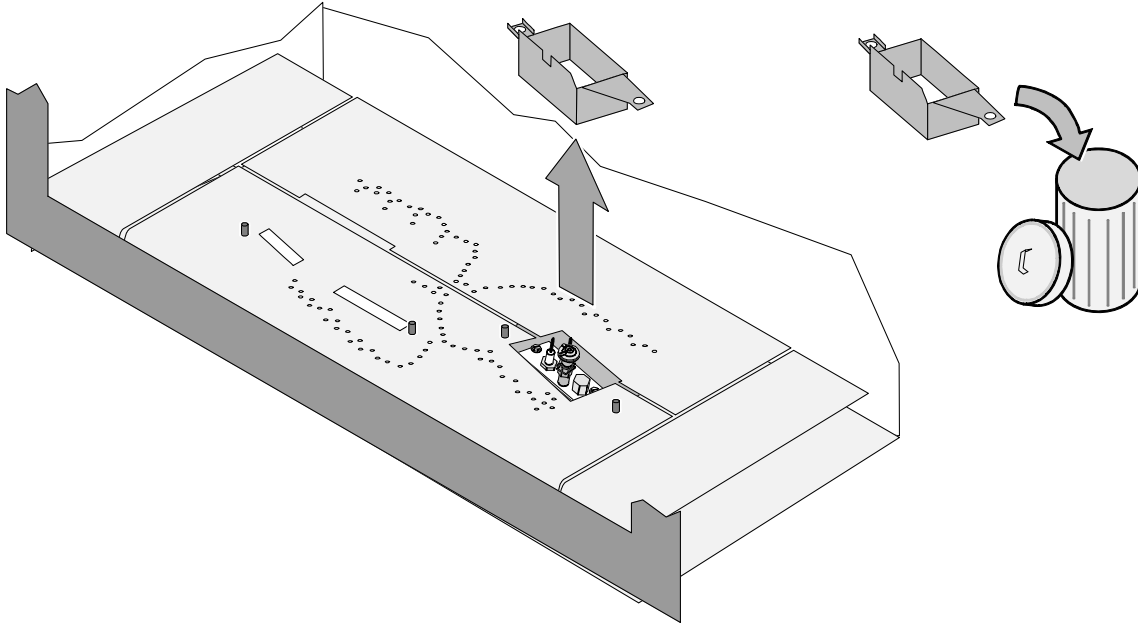
# Fyre-Stones Set "C" Installation Instructions (sku 94700764)

## Preparing the Burner for Stone Installation

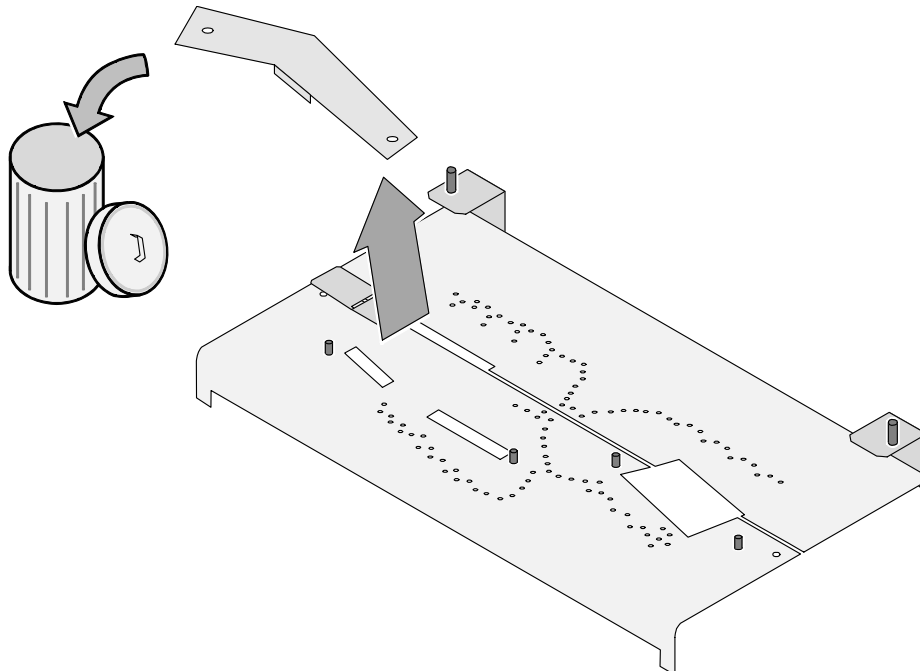
### Pilot Shield and Left Log Plate

3. Remove and discard the pilot shield (**except 864 HO**).

**IMPORTANT: 864 HO:** You must use the pilot shield shipped with the burner kit.



4. **All models:** Remove and discard the left log plate.

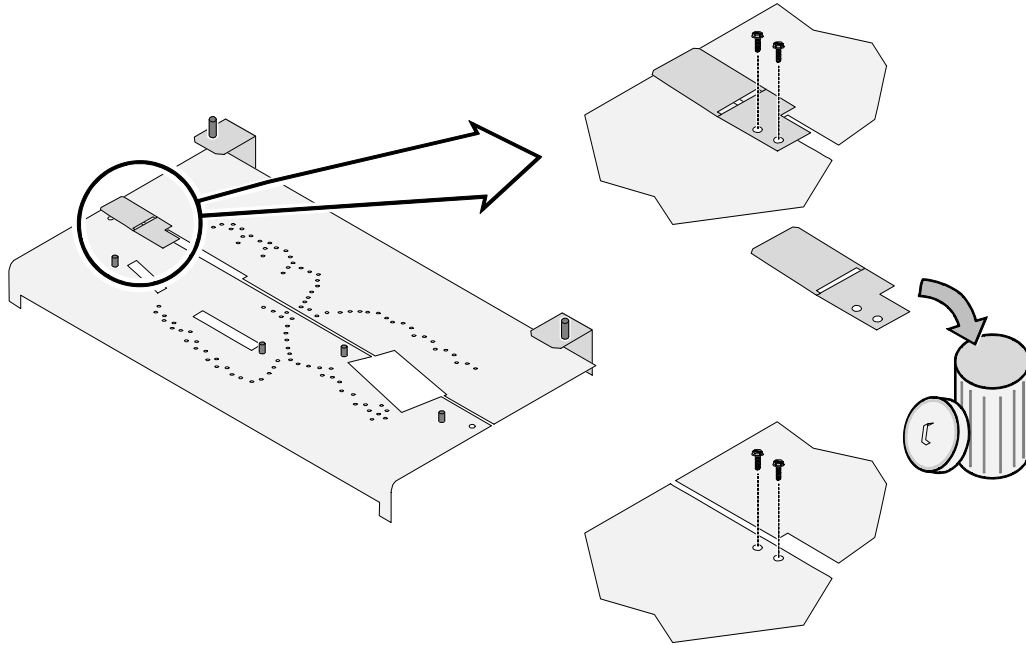




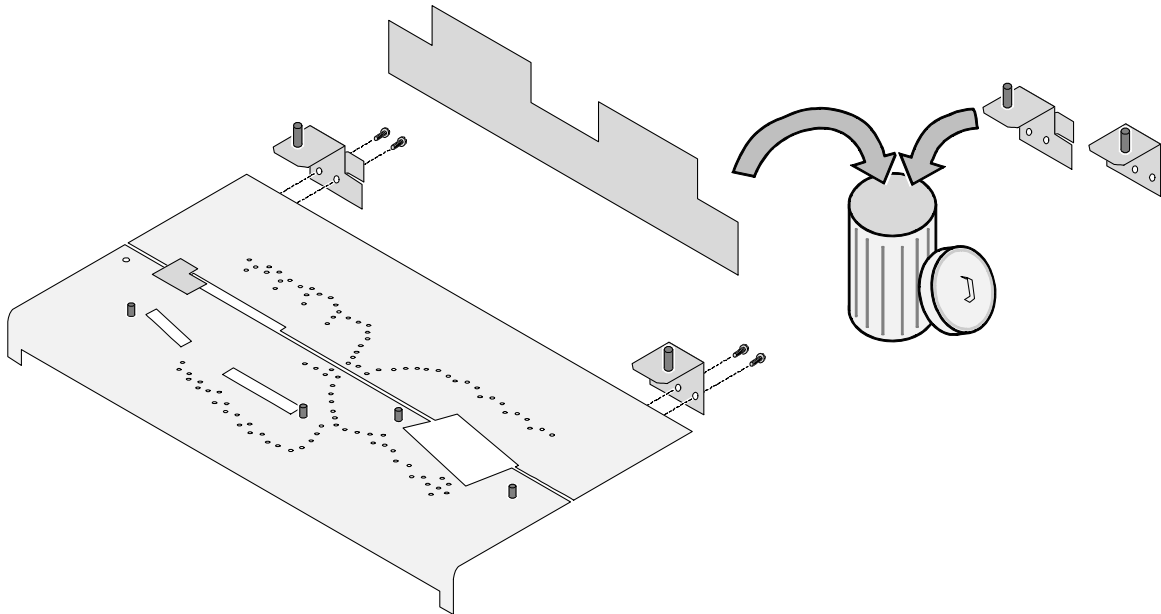
# Fyre-Stones Set "C" Installation Instructions (sku 94700764)

5. Remove and discard the side air deflector. Replace the screws.

**33 DVI / DVL / Cypress:** On older burners the deflector is riveted in place. Simply bend the extension repeatedly until it snaps off.



6. **33 DVI / DVL / Cypress:** Remove and discard both rear log supports and rear air deflector. Keep the screws.  
**IMPORTANT: 864 HO:** You must retain the rear air deflector.



7. Follow the directions on the following pages to prepare the burner for your heater model.

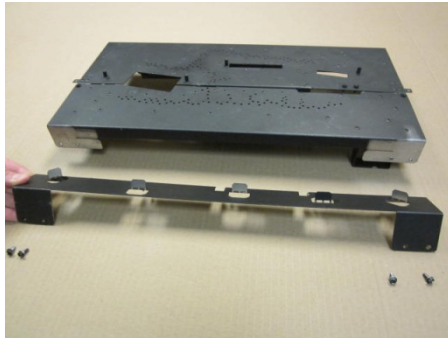
**IMPORTANT:** You must use the stone grid brackets supplied with this kit.



# Fyre-Stones Set "C" Installation Instructions (sku 94700764)

## 33 DVI / DVL GSR NB

Attach the rear stone grid as shown below.

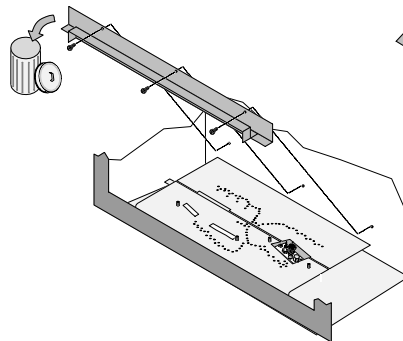


## Cypress

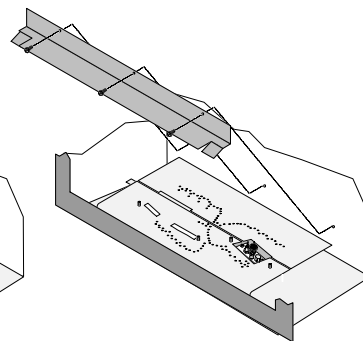
Remove and discard the fireback shelf/high deflector and install the low deflector (included with the Cypress stove).

**FIREBACK NOTE:** If using a fireback, do not remove the low deflector. Place the fireback on the low deflector at the rear of the firebox and secure with the upper clips.

Fireback Shelf/High Deflector



Low Deflector



Attach the rear stone grid brackets as shown below.

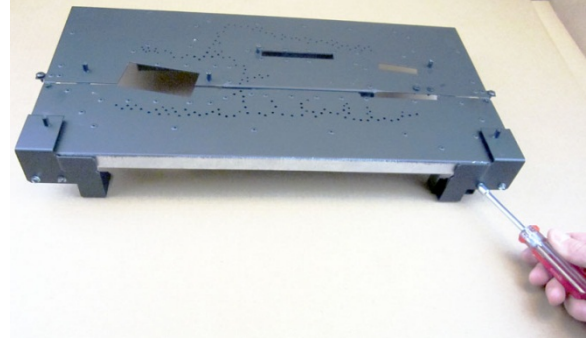
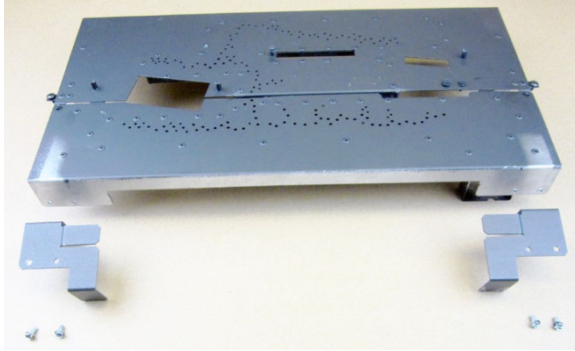




# Fyre-Stones Set "C" Installation Instructions (sku 94700764)

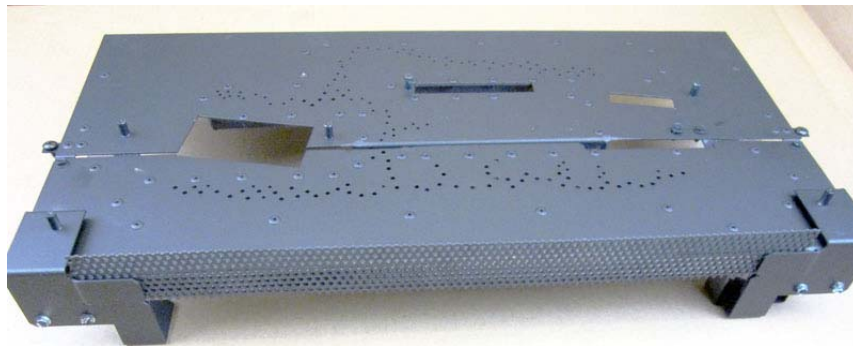
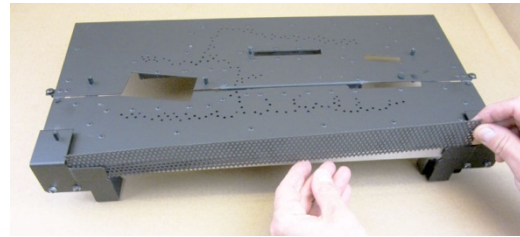
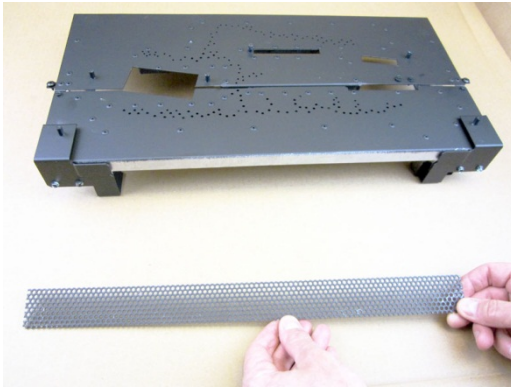
## 864 HO NB

Attach the burner brackets.



Slide the rear air deflector into place as shown below.

**NOTE:** The rear air deflector is shipped with the 864 HO NB Diamond-Fyre burner.



**IMPORTANT:** Make sure to install the pilot shield shipped with this 864 HO Diamond-Fyre kit (sku 96900142).

8. **All models:** Replace the burner and return the firebox to the correct configuration.

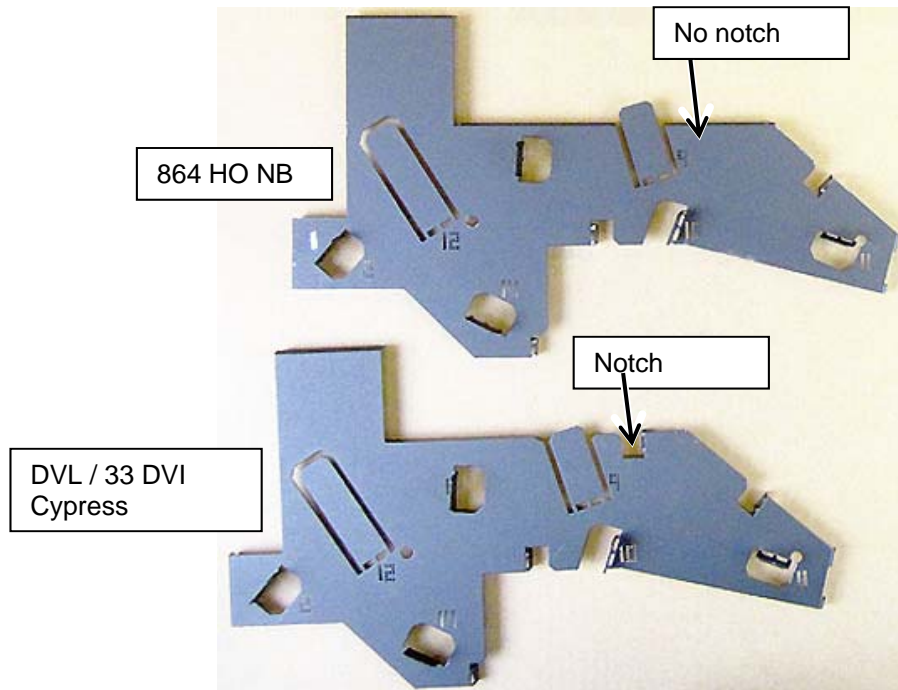


# Fyre-Stones Set "C" Installation Instructions (sku 94700764)

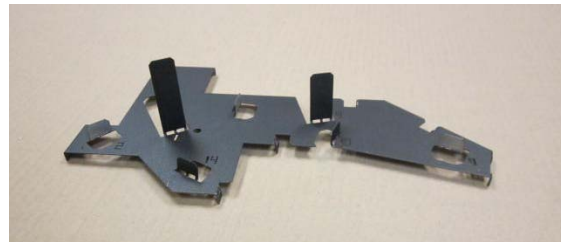
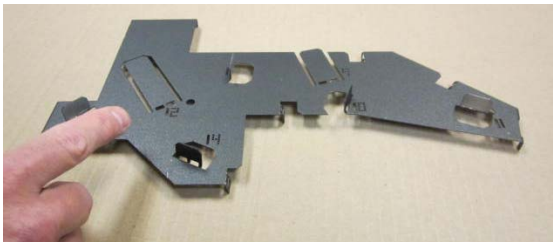
## Stone Grid Installation



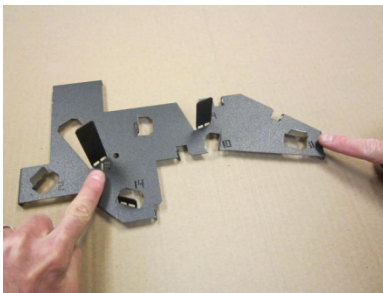
Make sure to use the correct left stone grid.



1. The tabs on the stone grids are shipped flat. Bend the 2 tabs on the left stone grid as shown below.



2. Attach the left stone grid to the burner as shown below.







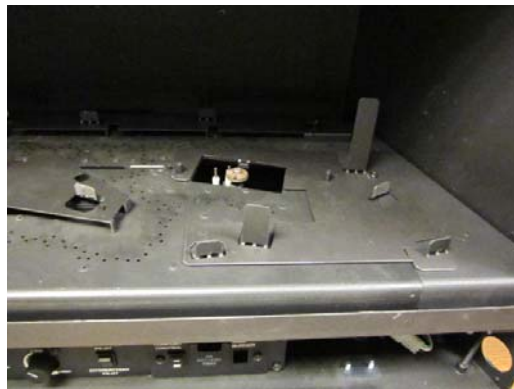
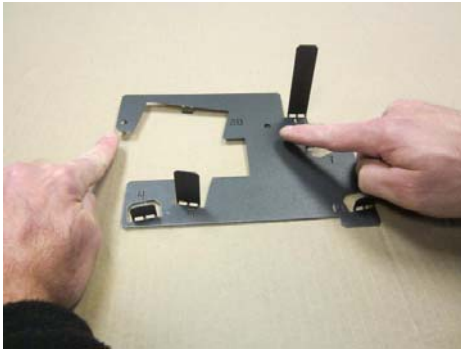
# Fyre-Stones Set "C" Installation Instructions (sku 94700764)

3. Bend the 2 tabs on the right stone grid as shown below.



4. Attach the right stone grid to the burner as shown below.

**NOTE:** When installed, the grid sits flat on the burner.



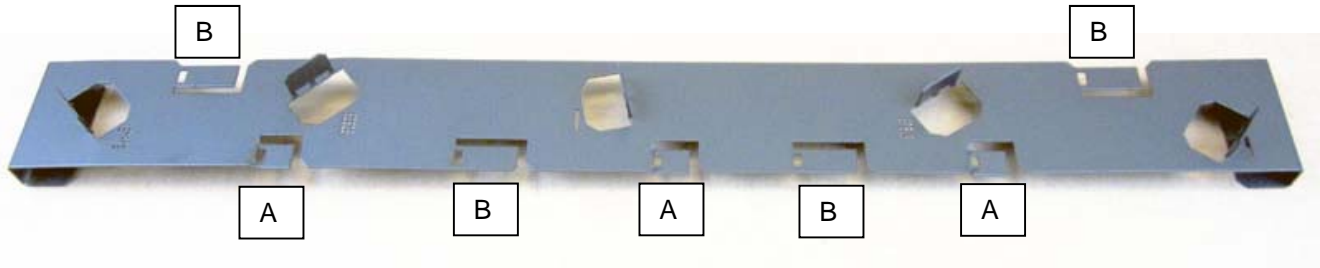
5. Bend the tab behind the pilot with a flat screwdriver as shown below. This prevents the grid from warping.



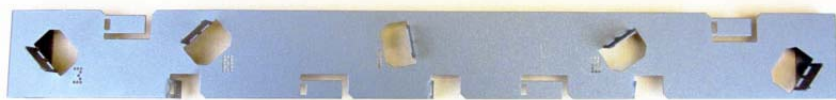


# Fyre-Stones Set "C" Installation Instructions (sku 94700764)

6. Prepare the rear stone grid by bending down the appropriate tabs.  
**33 DVI / DVL:** Skip this step.



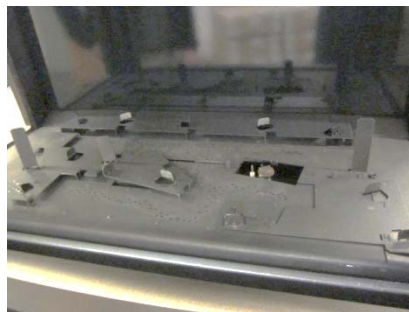
- a) **Cypress:** Bend the "A" tabs DOWN.



- b) **864 HO NB:** Bend the "B" tabs DOWN.



7. Place the rear stone grid on the burner. The holes at the ends of the grid fit over the pegs on the burner.  
**NOTE:** When in place, the #3 tab will be located to the left.





# Fyre-Stones Set "C" Installation Instructions (sku 94700764)

## Placing Stones

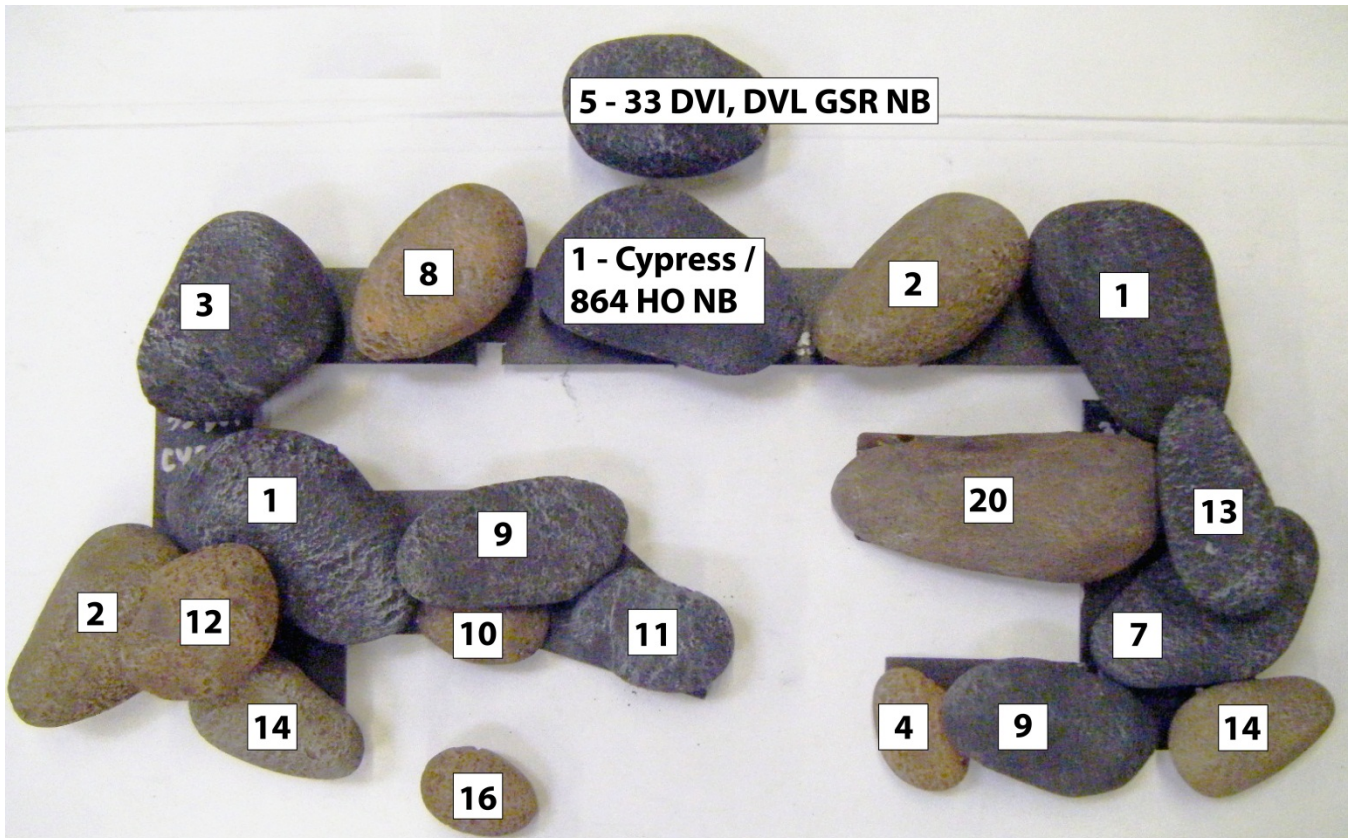


Each stone has a number etched into it and a slot that fits over the corresponding numbered tab. Place the stones onto the stone grid, matching the number on the stone to the number on the grid.

**EXAMPLE:** Place stone "3" over the tab marked "3" on the stone grid.



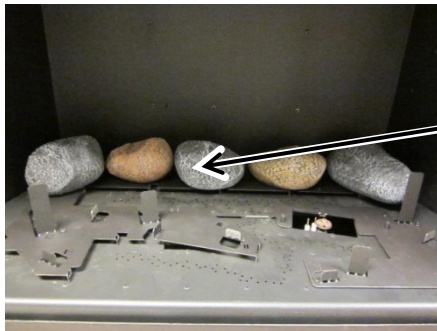
**NOTE:** Numbers on the stones always face the rear of the firebox.





# Fyre-Stones Set "C" Installation Instructions (sku 94700764)

1. Starting in the left rear corner, place the stones in a clockwise manner on the stone grid, paying close attention to the notch/tab alignment and making sure the numbers face the rear of the firebox. The stone placement sequence is shown below.



**NOTE:**

**33 DVI / DVL GSR NB:** This is Stone #5.

**Cypress / 864 HO NB:** This is Stone #1.

2. Place the pilot stone (#20) on the pins in the right center of the firebox, as shown below.  
The pilot stone is shown below as an example (the pilot stone also has an indentation that allows room for the pilot light).





# Fyre-Stones Set "C" Installation Instructions (sku 94700764)

3. Continue to place the stones in a cluster at the right of the firebox, as shown below.



4. Place the stones in a cluster at the left of the firebox as shown below.

**Left Stone  
Numbers**

- 1
- 2
- 12
- 14
- 9
- 10
- 11



**Right Stone  
Numbers**

- 20
- 13
- 7
- 4
- 9
- 14

5. Place stone #16 at the left front of the firebox as shown below. This stone does not fit on a pin, but lies loosely on the burner.





# Fyre-Stones Set "C" Installation Instructions (sku 94700764)

## Crushed Glass Installation



**It is better to use too little glass than too much.** Excessive glass, especially when using propane (LP), will lead to sooting. Place the glass as thinly as possible over the burner ports for optimum burner performance. Do not place glass over the pilot assembly.

## Crushed Glass Part Numbers

The glass is 1/4" American Fireglass crushed glass. Three colors of glass are available from Travis Industries (10 lbs. – shipped in four 2.5 lb. bags):

- Platinum (94500580)
- Reflective Bronze (94500581)
- Cobalt (94500582)

## Glass Quantity

Use the following amount of glass based on the model being used:

MODEL	QUANTITY USED		
	Bags	Rounded Cups	Rounded ml
33 DVI / DVL GSR NB with Dancing-Fyre Burner	0.5	1-1/4	300
Cypress	0.7	1-3/4	420
864 HO NB with Diamond-Fyre Burner	2	5	1200

The glass is supplied from the manufacturer in 2.5 lb. bags. Depending upon appliance, you may need to measure glass quantity. Use a liquid measuring cup to accurately determine the amount of glass used.

**1 Level Cup (8 fl. oz.) (240ml) = 0.95 lbs.**

**So...1 Slightly Rounded Cup = 1 lb.**



**WARNING:** Make sure the glass is a maximum 1 layer thick on LP units (NG can be up to 2 layers). If the glass is too thick it will impair burner performance and create soot.

**WARNING:** Make sure the pilot is not obscured with glass. Clear away glass, if necessary, to ensure the pilot flame lights the burner quickly.



The completed installation looks like the photo to the right.

