



# 1-Piece Surround Panel (DVS/31 DVI)

## Compatibility

- DVS GSR
- 31 DVI

## Part Numbers

- DVS – 25” by 38”                      96100318
- DVS – 28-1/2” by 40”                96100324
- DVS Custom One-Piece Panel (contact Travis Industries for Details)

## Packing List

- Surround Panel
- Right and Left Mounting Bracket
- (4) 10-24 Type F Thread-Cutting Screws

## Inside Fit Panels

The panels may be cut down in size and placed within the fireplace opening.

## Rheostat and On/Off Switch Placement on 31 DVI

Install the rheostat and On/Off switch in the control panel under the firebox (see the Owner’s Manual for details).

## Fireplace Sizing

When using the 1-piece panel, make sure to accommodate the additional space required inside the fireplace. See the table below for details.

Fireplace Sizing	Height	Width	Depth	Protrusion onto Hearth
3-Piece Panels	19-1/2”	26-1/2”	15-1/8”	1-1/4”
1-Piece Panel	20-5/8”	29”	16-3/8”	0”

## Routing the Power Cord

Because this panel fits flush against the fireplace facing, the panel does not have a notch allowing the power cord to exit the fireplace. We recommend using the insert wiring kit (sku 97200315) to route power to the insert. Otherwise, route the power cord behind the panel to the right side (the panel or fireplace may be notched, if required).



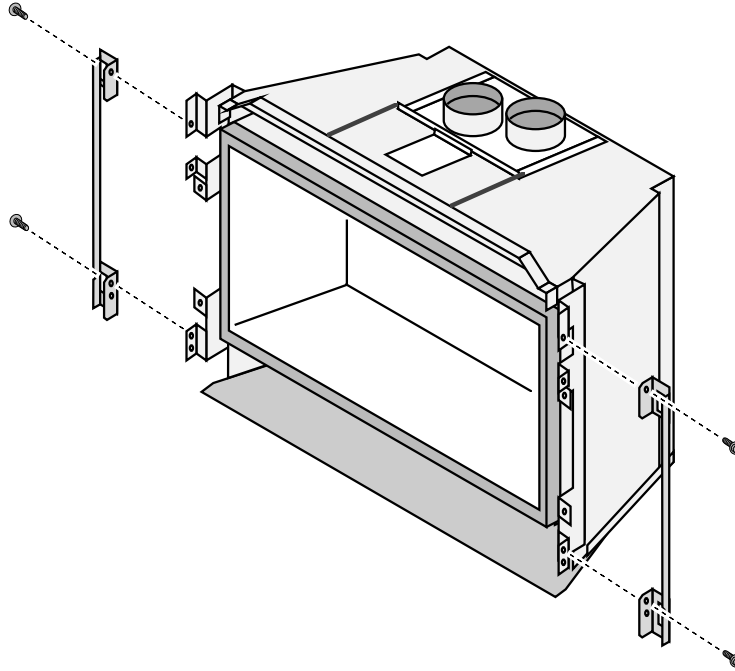
# 1-Piece Surround Panel (DVS/31 DVI)

## Installation

Before installation the insert should be in place with the gas line and vent attached. Pull the insert out slightly to assist in the installation.

1. Attach the mounting brackets as shown below.

**NOTE:** The brackets attach to the face mounting brackets when using "No-Panel" or "Double-Door" faces.



2. Attach the surround panel as shown below.

