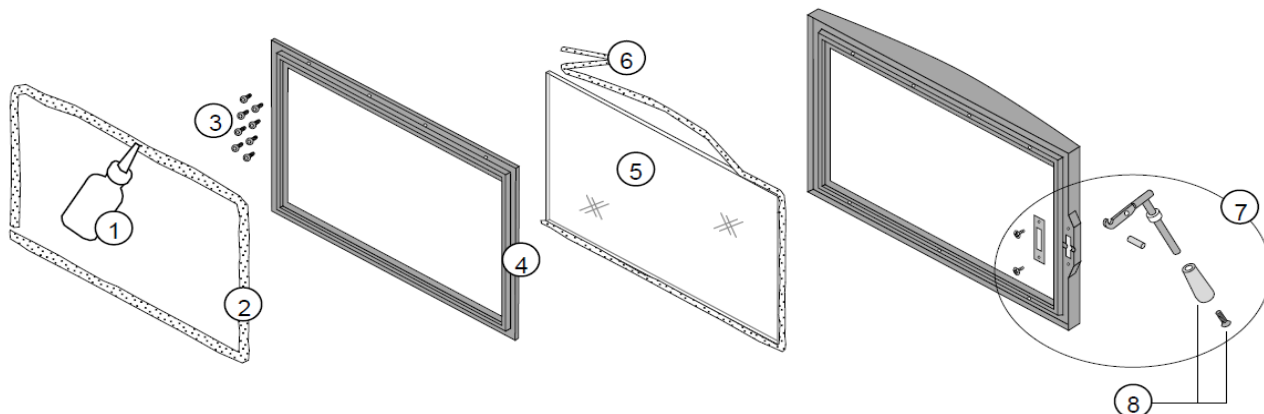


EVERGREEN SPARE PARTS - SEPTEMBER 2019

Door Parts



Pricing shown excludes freight and installation. Pricing may vary depending on area.

Pricing includes GST.

ID #	Description	Qty	Part #	\$	Other Detail
1	RTV High Temp. 600deg Silicone				Contact your Lopi Dealer
2	Door Gasket	1	250-02832	\$ 40	
3	Screws (8) 10-24 x 1/2"	1	250-03656	\$ 36	Pack of 10
4	Door Retainer	1	250-03657	\$158	
5	Evergreen Glass with Gasket	1	250-02725	\$210	
6	Glass Gasket	1	99900405	\$ 32	
7	Door Handle Assembly	1	250-03606	\$ 61	
8	Door Knob	1	250-01305	\$ 25	

Replacing the Glass



The glass must not contact the door retainer or glass clips directly. The glass gasket and glass clip gaskets insulate the glass to prevent cracking. Do not over-tighten the glass clips. Do not use substitute materials.

Replacing the Door Gasket

The door gasket inserts into the outer groove of the door, and is held in place with RTV high-temperature silicone. Before installing, remove any residual cement. Lay the gasket in place (start at the lower right corner) and cut off any excess gasket.

NOTE: Do not stretch the gasket. You may need to open and close the door repeatedly to get the gasket to seat fully.

Replacing the Door Handle

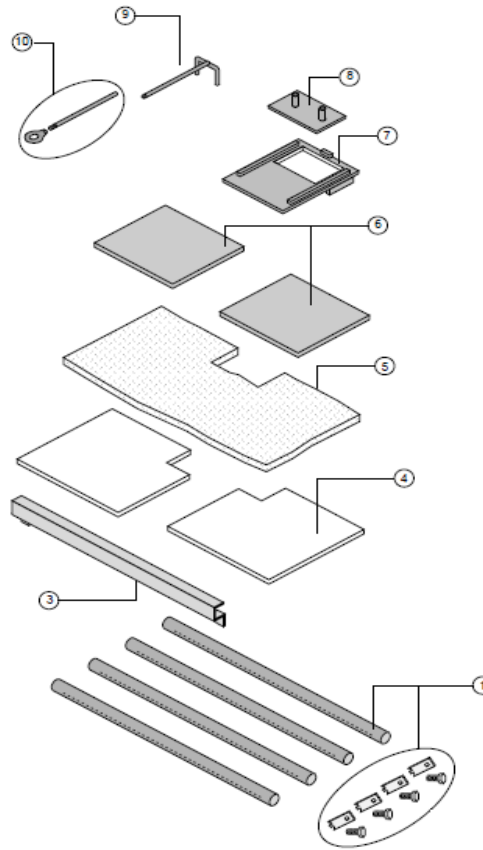
See the illustration above for a component list (see page 30 for details on adjusting the door).

Removing the Door

To remove the door, open the door, then remove the four hex screws securing the hinges and remove the door and hinges as one assembly (see page 30 for details on removing the door).

NOTE: It will be helpful to have another person hold the door in place while removing the screws.

Firebox Parts



Pricing shown excludes freight and installation. Pricing may vary depending on area.

Pricing includes GST.

ID #	Description	Qty	Part #	\$	Other Detail
1	Secondary Air Tubes with Pins	4	98900247	\$ 247	
3	Front Baffle Support	1	250-03597	\$ 72	
4	Baffle Plates (ceramic) (2)	1	250-03598	\$ 104	
5	Baffle Insulation	1	250-03599	\$ 104	
6	Baffle Insulation Protectors (2)	1	250-03659	\$ 65	
7	Damper Plate	1	250-03594	\$ 61	
8	Damper Slider	1	250-03596	\$ 68	
9	Damper Yoke	1	250-03595	\$ 50	
10	Damper Extension Rod with Pull Ring	1	98900333	\$ 32	

Baffle Removal & Replacement



The baffle is held up by the 4 air tubes. Make sure to support the baffle while removing the air tubes.

- Remove the two front air tubes. Lift the front baffle up, twist it forward and remove.
- Remove the bypass yoke assembly (pull the bypass forward, unscrew the extension rod from the yoke). The yoke may be removed by reaching through the bypass hole.
- Remove the bypass slider (it may be removed by reaching through the bypass hole). Remove the bypass support (lift it up from below, turn it sideways, slide it forward, and remove it from the front).
- Remove the baffle insulation (take care – it is fragile and may be covered in flyash).
- The baffle plates may be removed to finalize baffle removal. To replace the baffle components, follow the instructions in reverse order.