



# DVS, 31 DVI Black Glass Firebacks

SKU# 96100278

## Packing List

- (1) Rear Glass Fireback
- (2) Side Glass Firebacks
- (6) Universal Spacers
- (2) Front Edge Covers
- (2) Supports (Ember-Fyre Only)

## Installation

### GLASS FIREBACK WARNINGS

**HANDLING THE FIREBACKS:** The glass firebacks are fragile – especially the edges. Take care to prevent contacting/scraping the glass against metal or rough surfaces. You may wish to lay out a blanket during installation in case you need to set the firebacks down.

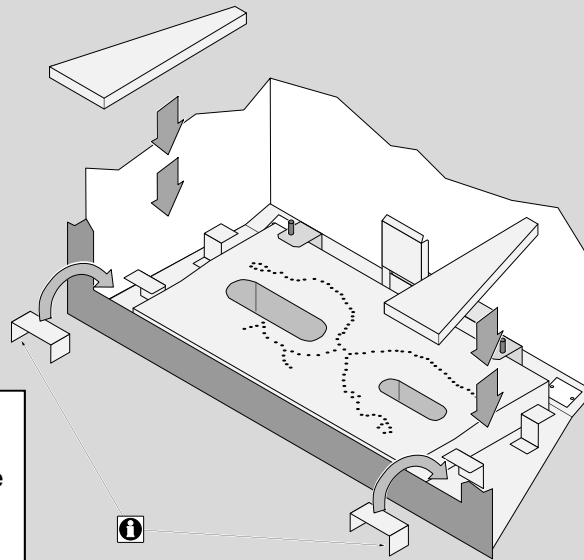
We recommend the use of gloves and safety glasses during the installation of the glass firebacks.

### CLEANING

These firebacks require periodic cleaning. Do not use ammonia-based cleaners (this may cloud the glass). We recommend ammonia-free glass cleaner (i.e. vinegar and water) to clean the fireback.

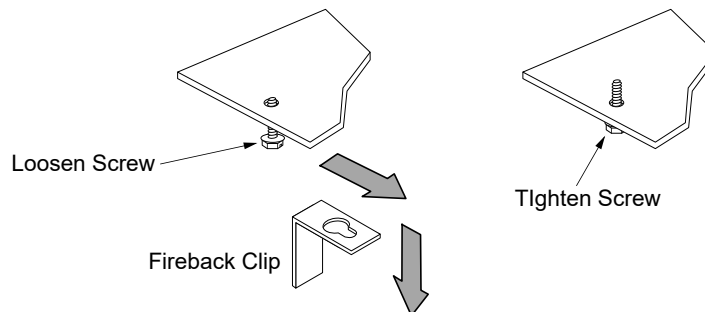
### FOR EMBERFYRE ONLY

When using this fireback kit with an Ember-Fyre™ burner, use the included supports (as shown below) to keep the triangular ember floor filler pieces sitting flat when the side firebacks are put in place.



One leg is slightly longer than the other. Make sure the longer leg is placed to the outside.

- 1 Access the firebox (see Owner's Manual).
- 2 Remove the two side fireback clips from the firebox ceiling (1/4" nutdriver). Loosen the screws just enough to allow the fireback clip to move. The clip has a "key hole" slot on it. Slide the clip forward until it can move freely over the head of the screw. Tighten the screws so they do not obstruct the installation of the glass panels in a later step.



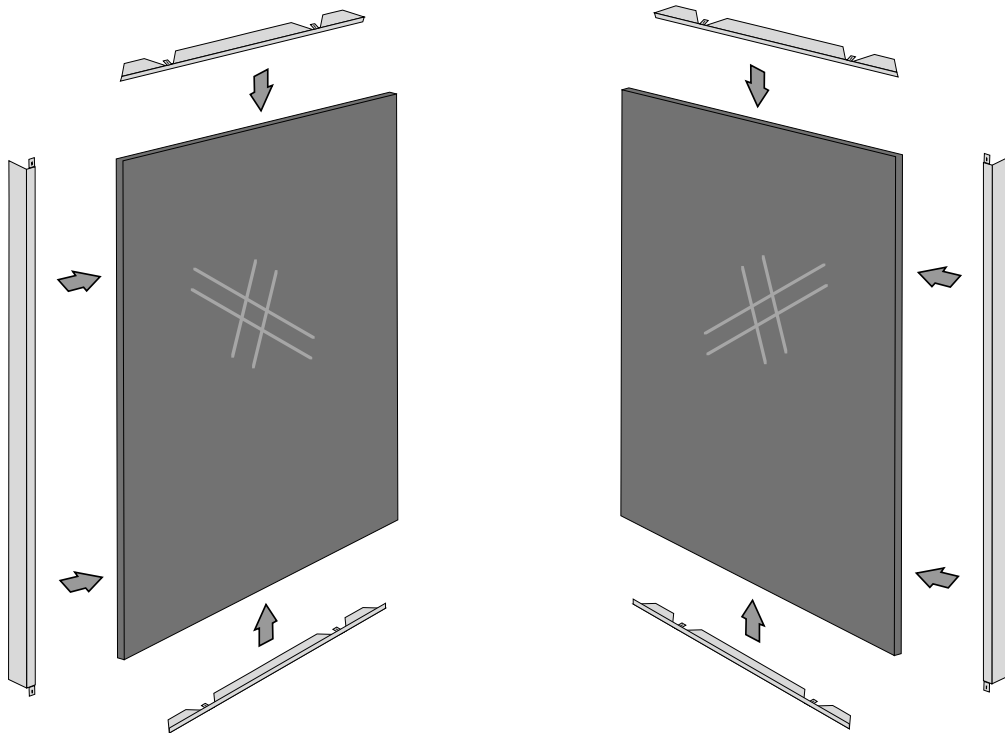


# DVS, 31 DVI Black Glass Firebacks

SKU# 96100278

- 3 Prepare the side panels for installation. Place spacers over the top and bottom edges of the side glass. Bend the (2) tabs on each spacer over the edge of the glass panel to secure the spacers (see illustration below). Cover the front edge of the glass with the "front edge cover". Bend the two tabs over the edge of the glass to secure the cover to the glass. Repeat with the second sidepiece. Set the panels aside for installation in a later step.

**NOTE:** Use your fingers to bend the two tabs on the spacers and the front edge covers. The end of the bent tabs should wrap around to the textured side of the glass. The smooth side faces out.

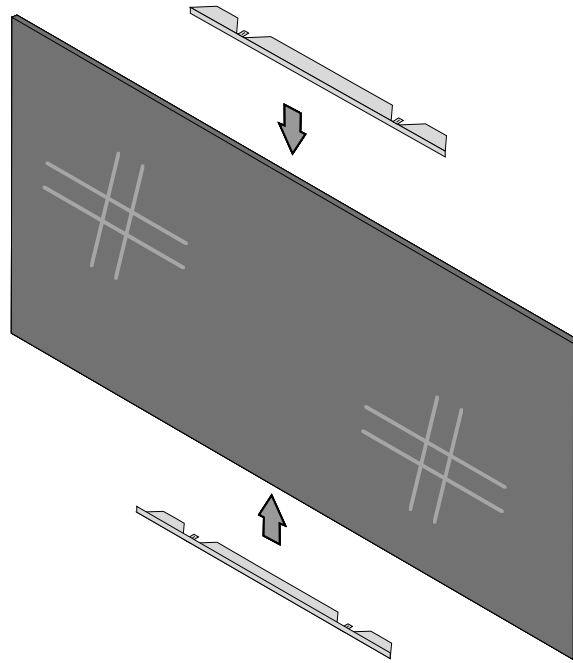




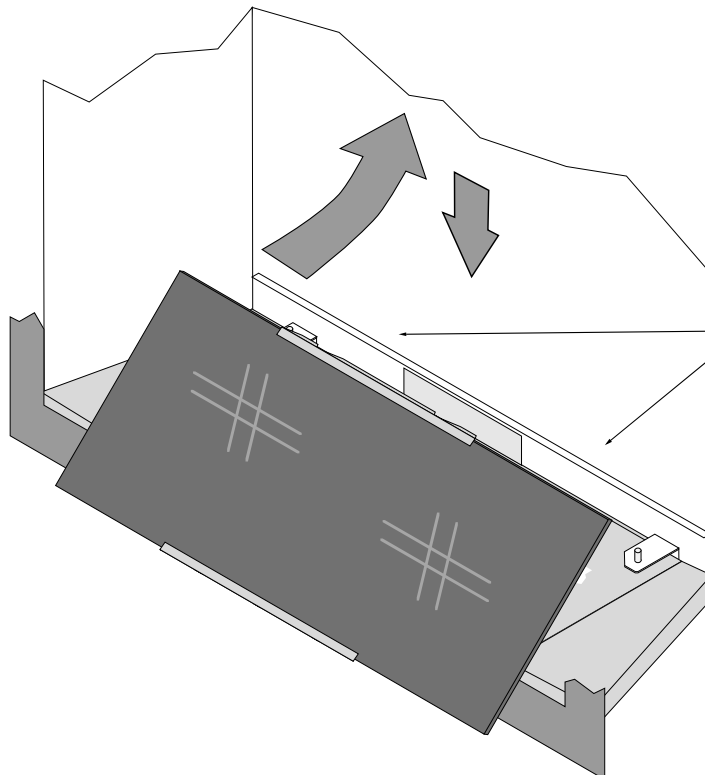
# DVS, 31 DVI Black Glass Firebacks

SKU# 96100278

- 4 Prepare the rear panel for installation. Slide a spacer over the top and the bottom of the rear glass panel and secure the spacers in the same manner as the previous step.



- 5 Place the rear fireback into position and support it with your hand until you install one of the side panels in the next step. Insert the top of the rear fireback behind the baffle (on the ceiling of the firebox) and move the bottom into place against the back wall. The fireback rests on the ledge on the back of the firebox.



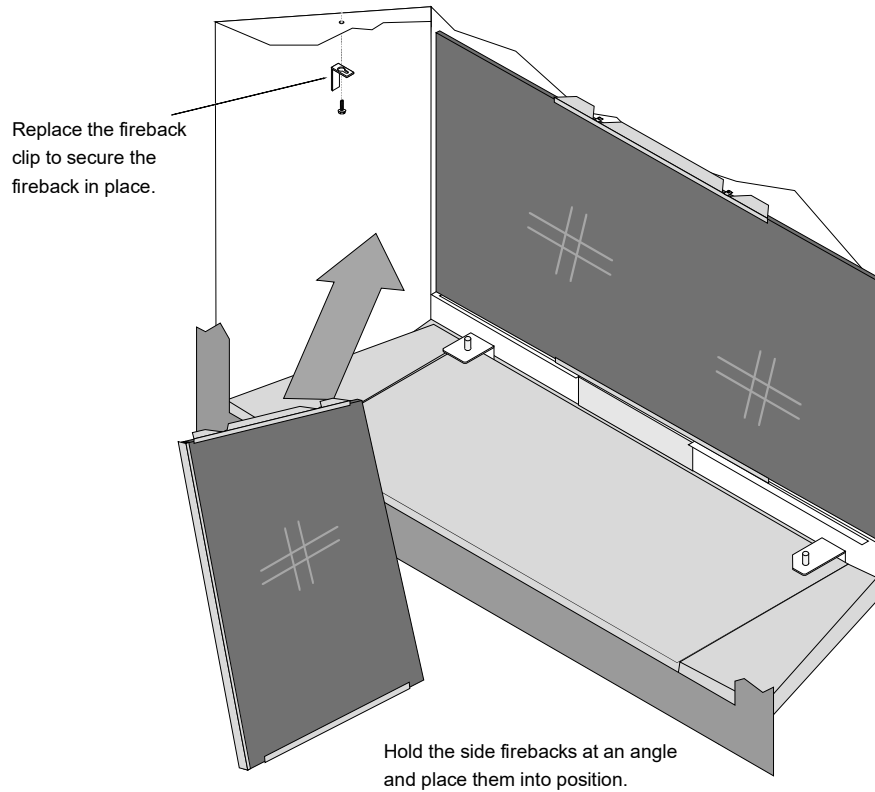
**NOTE:** the fireback clip rests on the ledge at the back of the firebox.



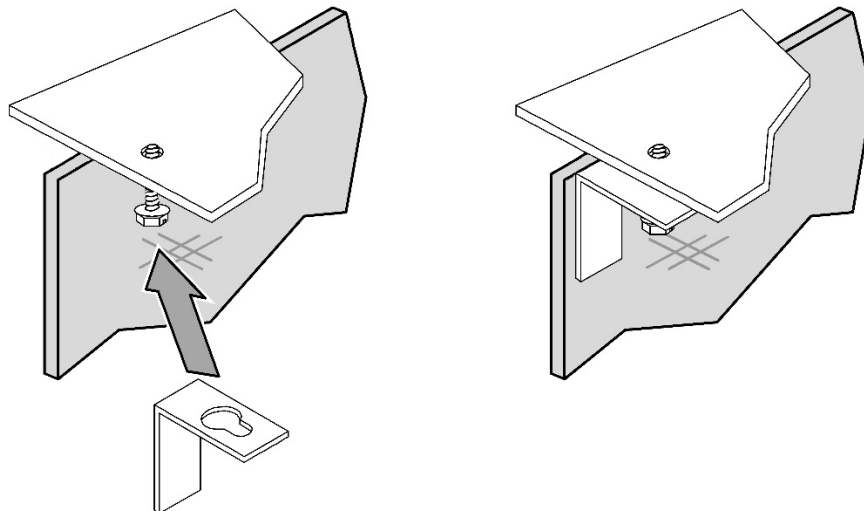
# DVS, 31 DVI Black Glass Firebacks

Sku# 96100278

- 6 Install one of the side panels into the firebox as shown below. .



- 7 Install a fireback clip (removed in step 2) over the screw. Slide the clip against the glass (the glass will be sandwiched between the clip and the side of the firebox). Tighten the screws to lock the glass in place (see below).



- 8 Repeat steps 5 and 6 for the opposite side fireback.