



564 LedgeStone Fireback Installation

96100191

Compatibility

- 564 SS
- 564 HO with Ember-Fyre or Dancing-Fyre Burner Only

Packing List

- Rear Fireback
- (2) Side Firebacks
- Fireback Floor (steel) – Used for 564 HO with Ember-Fyre Burner Only

Fireback Orientation – Each Side Has a Notch in the Upper Front Corner

Make sure the firebacks are oriented as shown below (the grout lines and coloring will line up). The side firebacks have notches in the front upper corners. Arrange the firebacks before installing to verify alignment.



Note how these notches fit with the adjoining fireback.

Fireback Floor– Used on 564 HO with Ember-Fyre Burner Only

The 564 HO is shipped without a burner or fireback floor. Follow the instructions included with the Ember-Fyre burner to install the firebox components. When the instructions call for installation of the firebacks, install the fireback floor directly on the base of the firebox. Then install the ledgeStone firebacks on top of the fireback floor (see instructions on following pages).

Using the LedgeStone Firebacks with 564 HO and the Dancing-Fyre Burner Only

The 564 HO is shipped without a burner or fireback floor. The Dancing-Fyre Burner includes steel firebacks (including the fireback floor). Follow the instructions included with the Dancing-Fyre burner to install the firebox components. When the instructions call for installation of the firebacks, install the fireback floor (either the one included with this kit or the burner) directly on the base of the firebox. The steel firebacks sides may be discarded. Then install the ledgeStone firebacks on top of the fireback floor (see instructions on the following pages).

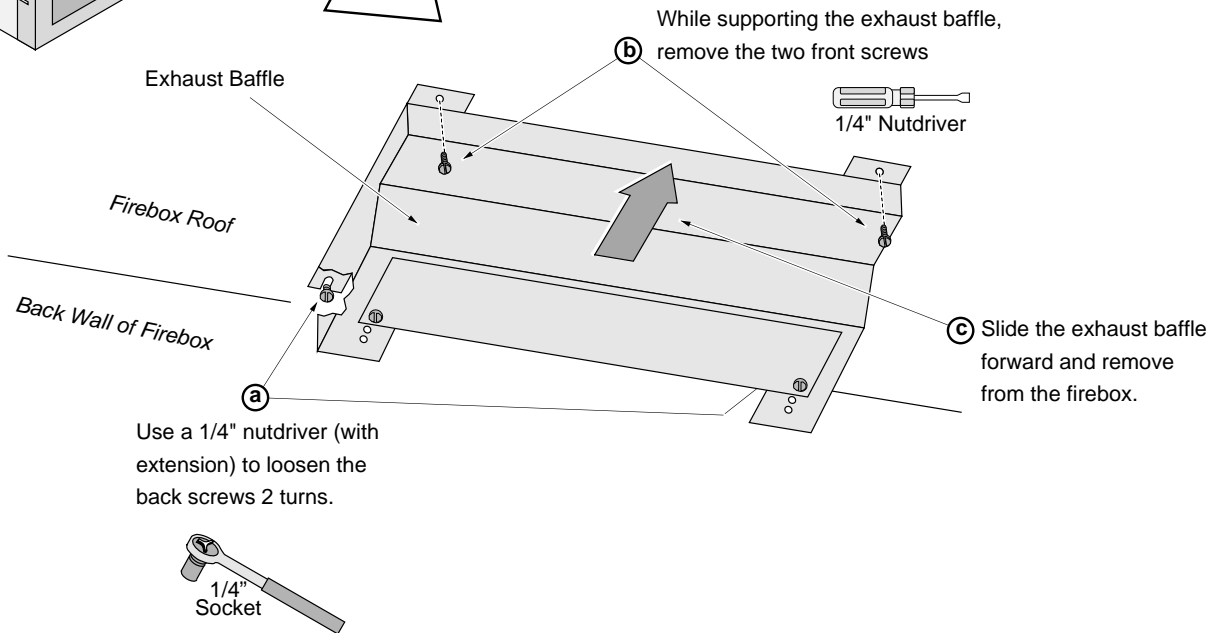
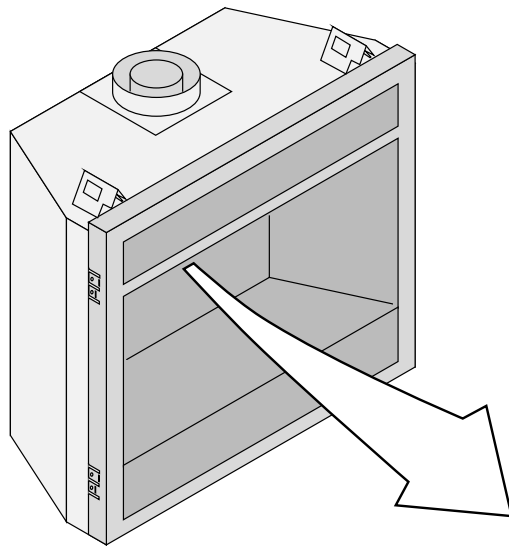


Installation

WARNING Turn off gas to the appliance and make sure it has fully cooled prior to conducting service.

SPECIAL INSTRUCTIONS FOR 564 HO – EXHAUST BAFFLE

The 564 HO has an exhaust baffle that must be removed before placing the rear fireback. Remove the baffle following the instructions below. After the firebacks are in place, replace the baffle (the rear screws may be kept loose).





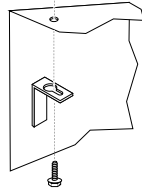
564 LedgeStone Fireback Installation

96100191

Installation (continued)

- 1 Remove the glass frame and logs (see the installation manual for details).
- 2 Install the firebacks following the directions below.

- a** Remove the clips located on the firebox ceiling near the front (both sides). These clips have keyhole slots that allow removal by loosening the screw and sliding the clip out.



1/4" Nutdriver

Place the rear fireback in place. The side fireback holds the rear fireback in place - hold the rear fireback while installing the side fireback.

HINT: Hold the firebacks at an angle and pivot them into place while installing.

NOTE:
The firebacks install on top of the fireback floor.

c Place the side firebacks in place.

d Replace the clips removed in step "a" to secure the side firebacks..

- 3 Restore the fireplace to the correct configuration.