



DVL Face Installation – With Screen (2014)

Compatibility:

- DVL Insert
- 33 DVI Insert
(Profile face not compatible with 33 DVI)

Packing List:

- Face
- Extended Convection Deflector (Arched Faces Only)
- Left and Right Covers (Arched Faces Only)
- (2) Face Brackets
- (4) 8-32 Nuts

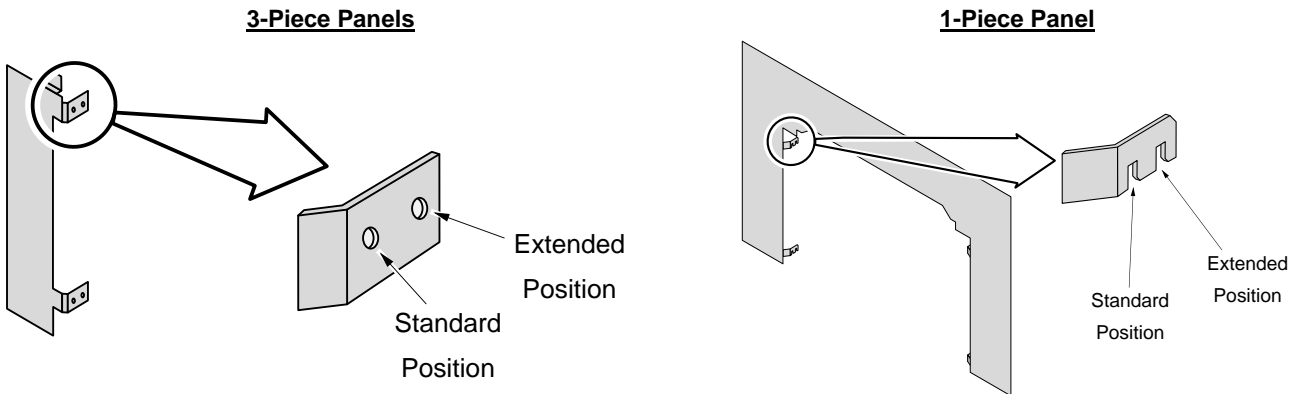
Standard Position vs. Extended Position on Surround Panels

The new 2014 faces include a screen barrier. On rectangular faces, the screen is submerged into the return flange on the face. No additional depth is required when installing. Rectangular faces may be used with older panels.

On arched faces the screen is attached directly to the back of the face. This creates an additional 1/2" of depth. To accommodate this depth, new surround panels were released in 2014 with two positions. The standard position is the same as the earlier panels and is used on all faces except for the arched faces. The extended position locates the panel forward 1/2" to allow for the face to fit against the surround panel. This positions the insert 1/2" farther into the fireplace cavity. These faces also require use of the extended convection deflector (included with the face – see instructions below).

Standard Position Faces (may use older panels)	Extended Position (requires new, 2014 panels)
<ul style="list-style-type: none"> • Wilmington • Rosario • Rectangular Black (FPX) • Profile 	<ul style="list-style-type: none"> • Arched Black (FPX) • French Country Black (FPX) • Artisan (FPX)

The 2014 surround panels have two sets of holes (3-piece panels) or notches (1-piece panel) - see the illustrations below. Make sure the surround panels are installed in the correct position.



Stainless Steel / Copper – Care and Cleaning

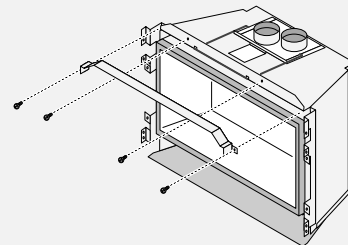
Use glass cleaner on a soft cloth to remove any marks left on the surface.

Hand-Rubbed Patina Finishes

The optional patina finish is hand applied by a skilled artisan to permanently alter the metal colors and texture of the face. Each face is individually hand-polished and fired in an oven which imparts unique color subtleties with no two finishes alike. The patina finish on your face is a “living” color and will age and antique over time. Enjoy the timeless, rich luster of your beautiful new face.

Arch/Profile Faces Require the Extended Convection Deflector

The faces above include an extended convection deflector to direct the convection air through the surround panel. Discard the convection deflector included with the insert and install the extended version as shown to the right (screws are included in the insert owner’s pack). Before installing, the extended deflector may need to be bent to mount correctly (use pliers if necessary).





TRAVIS INDUSTRIES
HOUSE OF FIRE

DVL Face Installation – With Screen (2014)

Wilmington Black 95100639
Arched 95300591
Profile Blk 95300671

Wilmington Carbon 95100640
French Country 95300595
Profile StSt 95300672

Rosario 95200515
Artisan 95300597
Profile Copr 95300673

Rect. Black 95300596
Artisan Patina 95300598
Profile Brnz 95300674

Installation



WARNING: Turn off gas to the appliance and make sure it is fully cool prior to service.



HINT: The insert should be in place with the gas line, vent, and electrical line attached. You may pull the insert out slightly for better access.

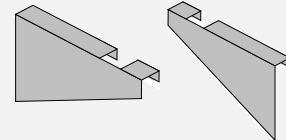
- 1 Install the surround panels.

Arched Faces Only

COVE COVERS - Used with Arched Faces

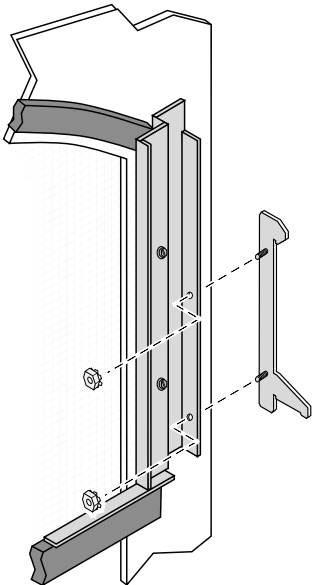
(included with the insert)

The cove covers are used on arched faces to prevent light from exiting the grill. They are included with the insert. Place them over the glass frame prior to installing the face.

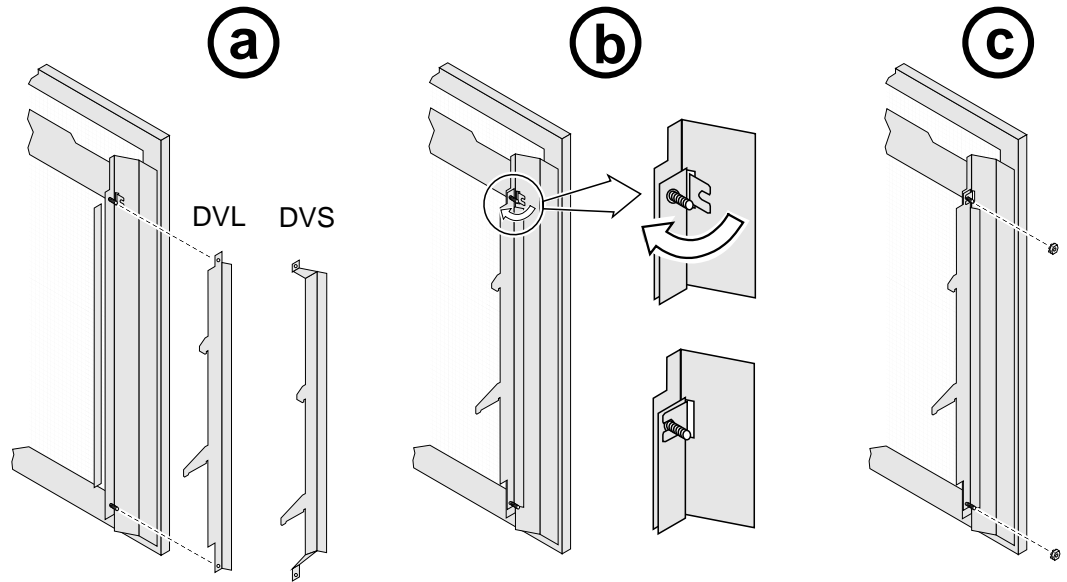


- 2 Attach the face brackets to the face with the included nuts (see illustration below).

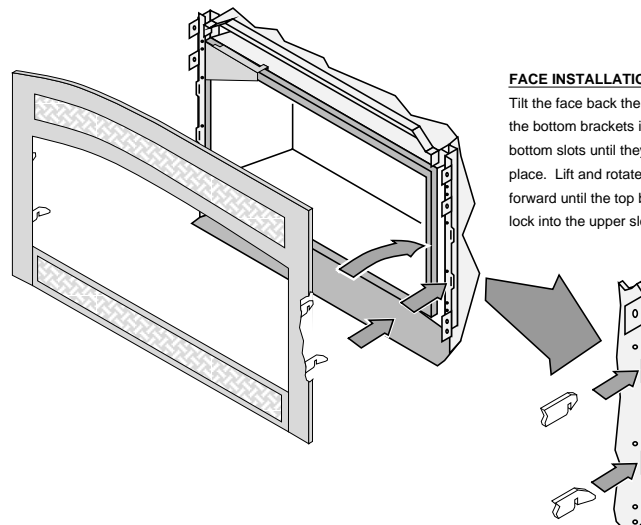
All Faces Except Profile



Profile Faces



- 3 The face mounts to the insert as shown in the illustration to the right.



FACE INSTALLATION

Tilt the face back then insert the bottom brackets into the bottom slots until they lock in place. Lift and rotate the face forward until the top brackets lock into the upper slots.