

# DVS Face Installation – With Screen (2014)

Wilmington Black 95100240      Wilmington Carbon 95100241      Rosario 95200121  
 Arched Black 95300191      French Cntry Black 95300195      Rect Black 95300196  
 Profile Blk 95300401      Profile StSt 95300403      Profile Copr 95300404      Profile Brnz 95300405

## Compatibility:

- DVS Insert
- 31 DVI Insert  
(Profile face not compatible with 31 DVI)

## Packing List:

- Face
- (4) 10-24 x 1/2" Thread-Cutting Screws (DVS only)
- Extended Convection Deflector (Arch/Profile faces Only)
- Patina Touch-Up Kit (patina faces only)
- (2) Insert Brackets
- (2) Face Brackets
- (4) 8-32 Nuts

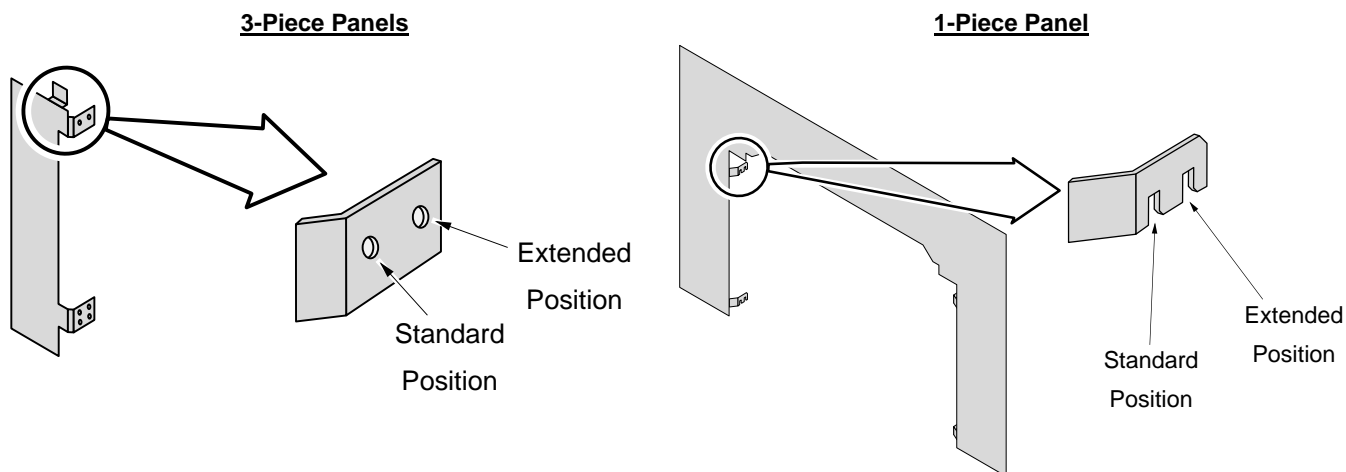
## Standard Position vs. Extended Position on Surround Panels

The new 2014 faces include a screen barrier. On rectangular faces, the screen is submerged into the return flange on the face. No additional depth is required when installing. Rectangular faces may be used with older panels.

On arched faces the screen is attached directly to the back of the face. This creates an additional 1/2" of depth. To accommodate this depth, new surround panels were released in 2014 with two positions. The standard position is the same as the earlier panels and is used on all faces except for the arched faces. The extended position locates the panel forward 1/2" to allow for the face to fit against the surround panel. This positions the insert 1/2" farther into the fireplace cavity. These faces also require use of the extended convection deflector (included with the face – see instructions below).

<b>Standard Position Faces (may use older panels)</b>	<b>Extended Position (requires new, 2014 panels)</b>
<ul style="list-style-type: none"> <li>• Wilmington</li> <li>• Rosario</li> <li>• Rectangular Black (FPX)</li> <li>• Profile</li> </ul>	<ul style="list-style-type: none"> <li>• Arched Black (FPX)</li> <li>• French Country Black (FPX)</li> </ul>

The 2014 surround panels have two sets of holes (3-piece panels) or notches (1-piece panel) - see the illustrations below. Make sure the surround panels are installed in the correct position.



## Stainless Steel / Copper – Care and Cleaning

Use glass cleaner on a soft cloth to remove any marks left on the surface.

## Hand-Rubbed Patina Finishes

The optional patina finish is hand applied by a skilled artisan to permanently alter the metal colors and texture of the face. Each face is individually hand-polished and fired in an oven which imparts unique color subtleties with no two finishes alike. The patina finish on your face is a "living" color and will age and antique over time. Enjoy the timeless, rich luster of your beautiful new face.

# DVS Face Installation – With Screen (2014)

## Installation



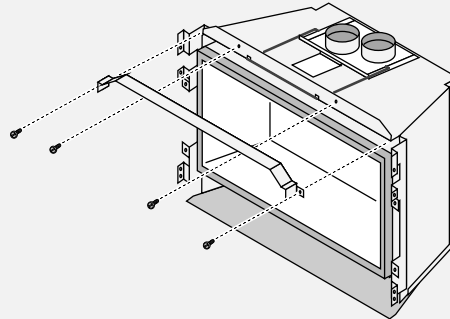
**WARNING:** Turn off gas to the appliance and make sure it is fully cool prior to service.



**HINT:** The insert should be in place with the gas line, vent, and electrical line attached. You may pull the insert out slightly for better access.

### **Arch/Profile Faces Require the Extended Convection Deflector**

The faces above include an extended convection deflector to direct the convection air through the surround panel. Discard the convection deflector included with the insert and install the extended version as shown to the right (screws are included in the insert owner's pack). Before installing, the extended deflector may need to be bent to mount correctly (use pliers if necessary).

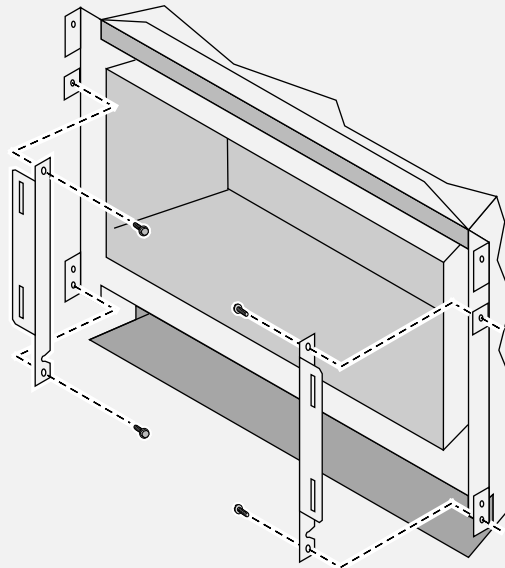


- 1 Remove the glass (see the owner's manual).
- 2 Install the surround panels (see instructions included with the panels).

### **DVS Inserts Only**

Attach the insert brackets to the insert with the included screws.

**HINT:** pre-thread the holes on the insert before installing the brackets.

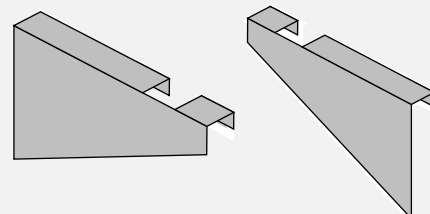


- 4 Replace the glass (see owner's manual).

### **Arched Faces Only**

#### **COVE COVERS - Used with Arched Faces** **(included with the insert)**

The cove covers are used on arched faces to prevent light from exiting the grill. They are included with the insert. Place them over the glass frame prior to installing the face.



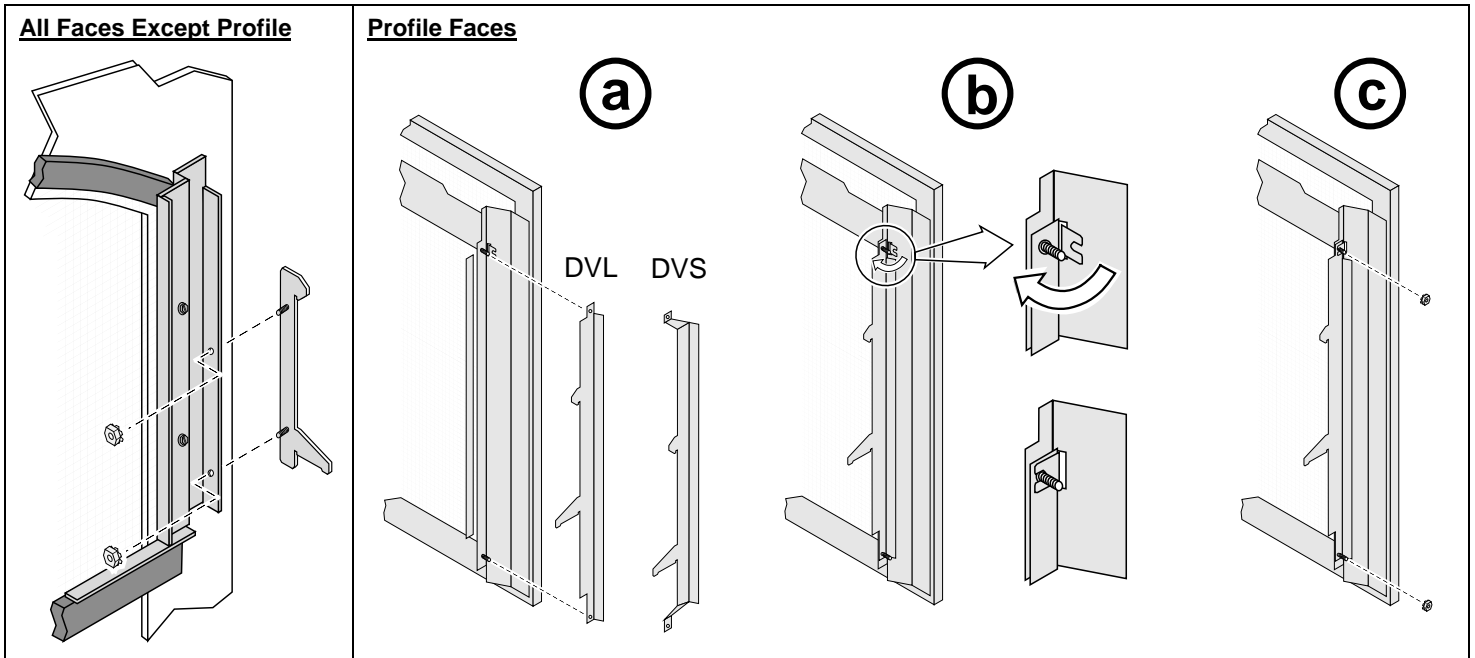


TRAVIS INDUSTRIES  
HOUSE OF FIRE

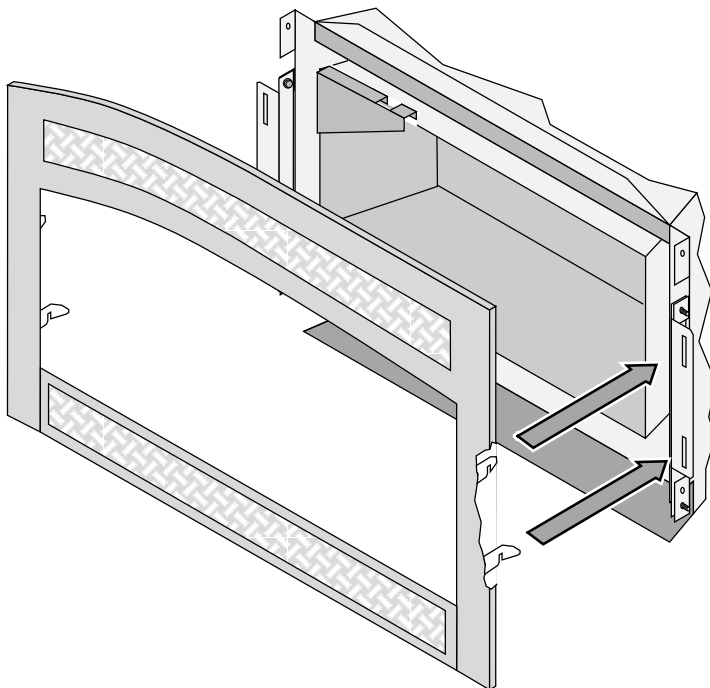
# DVS Face Installation – With Screen (2014)

Wilmington Black 95100240	Wilmington Carbon 95100241	Rosario 95200121
Arched Black 95300191	French Cntry Black 95300195	Rect Black 95300196
Profile Blk 95300401	Profile StSt 95300403	Profile Copr 95300404
		Profile Brnz 95300405

5 Attach the face brackets to the face with the included nuts (see illustration below).



6 The face mounts to the brackets as shown in the illustration below.



### FACE INSTALLATION

Tilt the face back then insert the bottom brackets into the bottom slots until they lock in place. Lift and rotate the face forward until the top brackets lock into the upper slots.

