

Compatibility

- Small Flush Wood Insert – Rectangular

Face Sizing

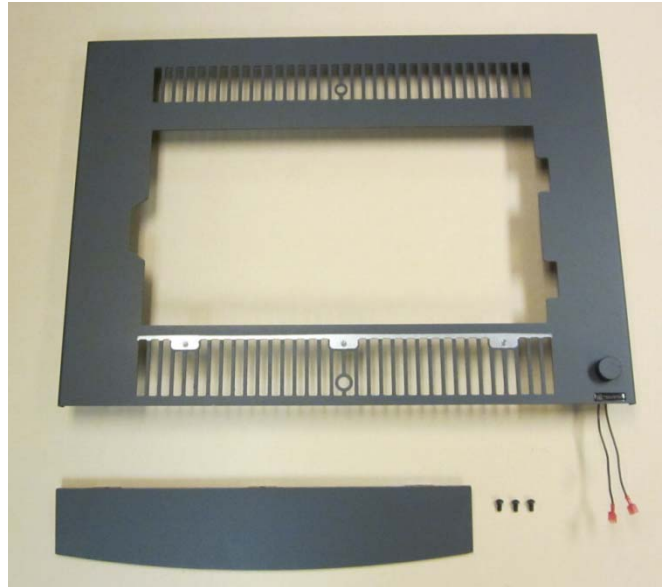
NOTE: The small flush wood insert may be installed with a face and no surround panel. The face is 30" wide and 21.5" tall.

Packing List

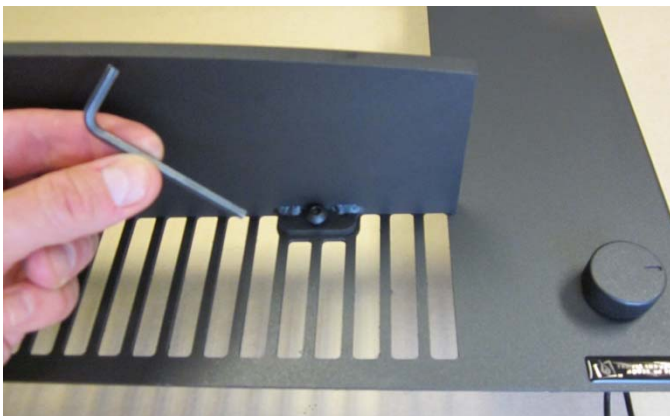
- Face
- Ashlip
- (3) ¼-20 x 1" Bolts
- 5/32" Hex Wrench

Attaching the Ashlip to the Face

- 1 Place the face on a non-scratching surface (front side upwards). Take care to prevent damage to the mounting brackets or the wiring from the rheostat.



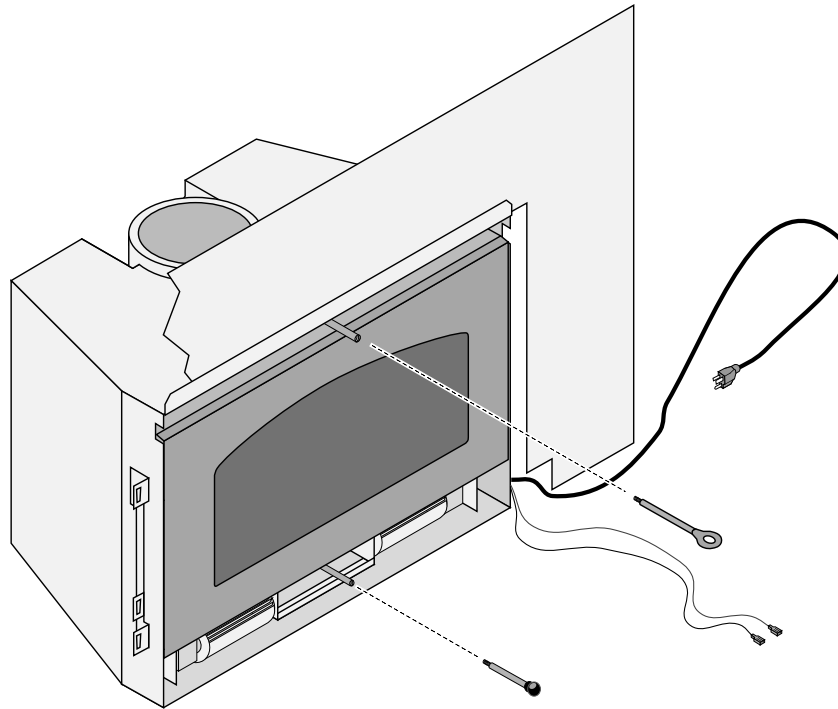
- 2 Place the ashlip in position and secure using the three included bolts (5/32" hex wrench).



Attaching the Face to the Insert

WARNING: Unplug or disable power to the appliance prior to attaching or removing the face.

- 1 Pull the air control and bypass out fully.
- 2 Unscrew the bypass rod from the bypass yoke (make sure to detach the handle and rod as one piece). Unscrew the air control rod from the air control.

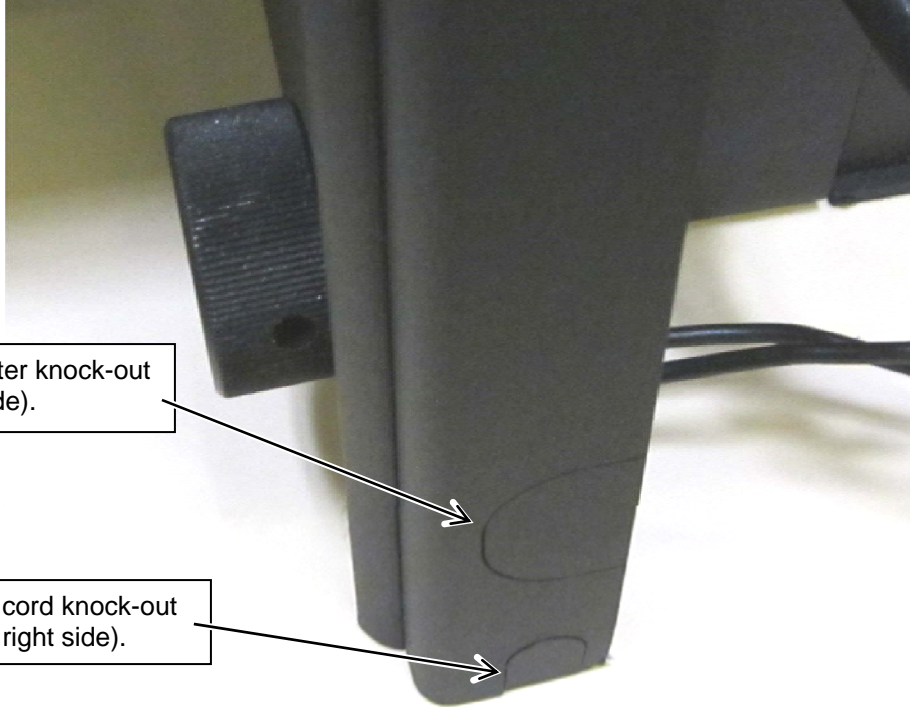


Small Flush Wood Face Installation Instructions

Rectangular Bevel Black 96300680

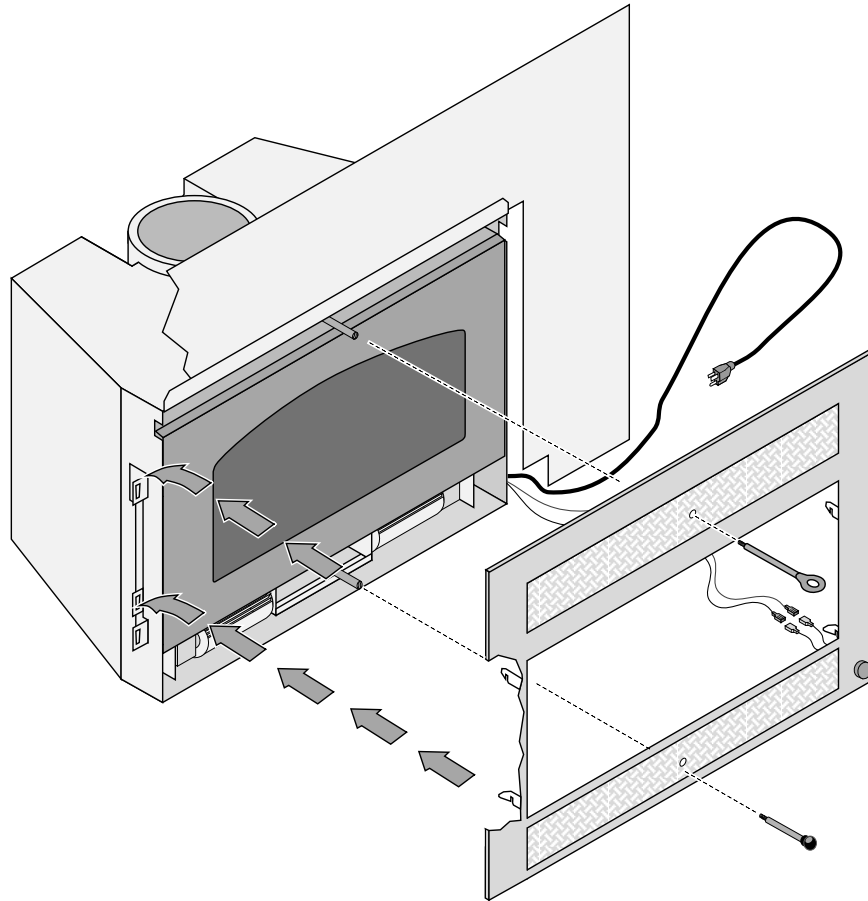
Universal Rectangular 96300707

- 3 The power cord may be routed behind the surround panel or between the surround panel and face. If routing between the surround panel and face, remove the knock-out along the bottom edge of the face (knock-outs are provided on both sides – make sure to use the correct side). An additional knock-out is provided for the optional GreenStart igniter (typically left side).



- 4 Place the face near the insert. Attach the two quick-connects from the rheostat to the two leads on the insert (see illustration on the following page - wire orientation does not matter). When installing the face, make sure to tuck excess wiring into the area to the side of the insert (behind the surround panel, if applicable). If routing the power cord between the face and surround panel, make sure it lines up correctly. All wiring must be kept away from any hot or moving components.

- 5 The face uses hooks to hang in place. Lift the face slightly and slide into place. Take care to prevent damage to the wiring while installing. Re-attach the bypass and air control rod.



Make Sure the Face is Fully Engaged

Because the face hooks are concealed, it may be difficult to determine if the face is fully engaged. When in place the face will slide behind the cast seal plate. See the photo below.

