



DVL EmberGlo™ GSR2 Inbuilt (AUST) Owner's Manual



WARNING: FIRE OR EXPLOSION HAZARD

Failure to follow safety warnings exactly could result in serious injury, death, or property damage.

- Do not store or use gasoline or other vapors and liquids in the vicinity of this or any other appliance.
- **WHAT TO DO IF YOU SMELL GAS**
 - Do not try to light any appliance.
 - Do not touch any electrical switch; do not use any phone in your building.
 - Leave the building immediately
 - Immediately call your gas supplier from a neighbor's phone. Follow the gas supplier's instructions.
 - If you cannot reach your gas supplier, call the fire department.
- Installation and service must be performed by a qualified installer, service agency, or the gas supplier.



**HOT GLASS WILL CAUSE
BURNS**

**DO NOT TOUCH GLASS
UNTIL COOLED**

**NEVER ALLOW CHILDREN
TO TOUCH GLASS**

A barrier designed to reduce the risk of burns from the hot viewing glass is provided with this appliance and shall be installed for the protection of children and other at-risk individuals.



AS/NZS 5263.1.3

GMK10033

IAPMO-R&T OCEANA

- **Direct Vent Fireplace Inbuilt**
- **Masonry or Factory-Built (Metal) Wood-Burning Fireplace**
- **Residential or Mobile Home**

This appliance may be installed in an aftermarket, permanently located, manufactured home (USA only) or mobile home, where not prohibited by local codes.

This appliance is only for use with the type of gas indicated on the rating plate. A conversion kit is supplied with the appliance.

INSTALLER: Leave this manual with the appliance.

CONSUMER: Retain this manual for future reference.

Dragon Wholesaling Pty. Ltd., Unit 2, 16 Lexington Drive, Bella Vista NSW 2153, Australia

Introduction

We welcome you as a new owner of a DVL inbuilt. In purchasing this fireplace inbuilt, you have joined the growing ranks of concerned individuals whose selection of an energy system reflects both a concern for the environment and aesthetics. It is one of the finest home heaters the world over. This manual will explain the installation, operation, and maintenance of this heater. Please familiarize yourself with the Owner's Manual before operating your heater and save the manual for future reference. Included are helpful hints and suggestions that will make the operation and maintenance of your new heater an easier and more enjoyable experience. We offer our continual support and guidance to help you achieve the maximum benefit and enjoyment from your heater.

Important Information

No other DVL inbuilt has the same serial number as yours. The serial number is attached to the appliance near the gas control valve.

This serial number will be needed in case you require service of any type.

Model: DVL EG GSR2

Serial Number: _____

Purchase Date: _____

Purchased From: _____

<u>Introduction</u>	<u>2</u>	<u>Steps for Finalizing the Installation</u>	<u>27</u>
<u>Important Information</u>	<u>2</u>	Air Shutter Adjustment	28
<u>Features</u>	<u>6</u>	<u>Before You Begin.....</u>	<u>29</u>
<u>Installation Options.....</u>	<u>6</u>	<u>Location of Controls.....</u>	<u>30</u>
<u>Heating Specifications.....</u>	<u>6</u>	<u>Remote Set-Up</u>	<u>30</u>
<u>Dimensions.....</u>	<u>6</u>	<u>Direct Operation.....</u>	<u>31</u>
<u>Electrical Specifications.....</u>	<u>6</u>	<u>Starting the Fireplace for the First Time</u>	<u>32</u>
<u>Fuel</u>	<u>6</u>	<u>Intermittent/Continuous Pilot</u>	<u>32</u>
<u>Installation Warnings</u>	<u>7</u>	<u>Pilot Fuel Conservation Timer.....</u>	<u>33</u>
<u>Packing List</u>	<u>7</u>	<u>Remote Operation.....</u>	<u>34</u>
<u>Items Packed with the Face</u>	<u>7</u>	<u>Manual On-Off / Smart Thermostat / Standard Thermostat</u>	<u>35</u>
<u>Order of Installation</u>	<u>7</u>	<u>Mode Controls (Flame, Blower, Light, Comfort Control).....</u>	<u>36</u>
<u>Additional Items Required.....</u>	<u>7</u>	<u>Mode Controls - continued</u>	<u>37</u>
<u>Top Convection Deflector</u>	<u>8</u>	<u>Display Fahrenheit or Celsius</u>	<u>38</u>
<u>Fireplace Requirements</u>	<u>8</u>	<u>Low Battery Indicator</u>	<u>38</u>
Factory-Built (Metal) Wood-Burning Fireplace Requirements.....	9	<u>Battery Replacement</u>	<u>38</u>
<u>Hearth Requirements.....</u>	<u>9</u>	<u>Power Outages.....</u>	<u>38</u>
<u>Leveling Legs</u>	<u>10</u>	<u>Child-Proof Feature</u>	<u>39</u>
<u>Electrical Requirements</u>	<u>11</u>	<u>Normal Operating Sounds</u>	<u>39</u>
Re-Routing the Power Cord to the Side of the Inbuilt	11	<u>Normal Operating Odors.....</u>	<u>39</u>
Using the Inbuilt Wiring Kit.....	11	<u>Maintaining Your Heater's Appearance.....</u>	<u>40</u>
<u>Clearances</u>	<u>12</u>	<u>Accent Light Replacement.....</u>	<u>40</u>
Mantel Clearances	12	<u>Ember-Glo Bulb Replacement.....</u>	<u>41</u>
<u>Gas Line Requirements.....</u>	<u>13</u>	<u>Yearly Service Procedure</u>	<u>43</u>
Gas Line Location	13	<u>Troubleshooting Table</u>	<u>44</u>
Gas Inlet Pressure	13	<u>Wiring Diagram</u>	<u>45</u>
<u>Vent Requirements</u>	<u>14</u>	<u>Replacement Parts</u>	<u>46</u>
<u>Exhaust Restrictor Settings.....</u>	<u>15</u>	<u>CONDITIONS & EXCLUSIONS</u>	<u>48</u>
<u>Vent Installation</u>	<u>16</u>	<u>IF WARRANTY SERVICE IS NEEDED:</u>	<u>48</u>
<u>Vent Location</u>	<u>16</u>	<u>LP Conversion Instructions.....</u>	<u>49</u>
<u>Vent Configurations.....</u>	<u>17</u>	<u>Fireback Installation.....</u>	<u>52</u>
<u>Vent Attachment – Tight Installations.....</u>	<u>18</u>	<u>Packing List.....</u>	<u>52</u>
<u>Altitude Considerations.....</u>	<u>19</u>	<u>Installation</u>	<u>52</u>
<u>Surround Panel Installation</u>	<u>22</u>	<u>Log Set Installation.....</u>	<u>57</u>
Original - 1-Piece Surround Panels.....	22	<u>DVL EG Log Set Overview – Oak Lg. (sku# 94500952).....</u>	<u>58</u>
Ember-Glo Only - 1-Piece Surround Panels	22	<u>Log Set Installation.....</u>	<u>59</u>
Routing the Power Cord	22		
<u>Glass Frame Removal and Installation</u>	<u>25</u>		
<u>Visual Deflector Removal.....</u>	<u>26</u>		

- Failure to follow all of the requirements may result in property damage, bodily injury, or even death.

Young children should be carefully supervised when they are in the same room as the appliance. Toddlers, young children, and others may be susceptible to accidental contact burns. A physical barrier is recommended if there are at-risk individuals in the house. To restrict access to a fireplace or stove, install an adjustable safety gate to keep toddlers, young children, and other at-risk individuals out of the room and away from hot surfaces.

Children and adults should be alerted to the hazards of high surface temperature and should stay away to avoid burns or clothing ignition. Do not touch the hot surfaces of the heater. Educate all children of the danger of a high-temperature heater.

Due to the high temperature, the heater should be located out of traffic and away from furniture and draperies.

- This unit must be installed by a qualified installer to prevent the possibility of an explosion.
- This appliance must be installed in accordance with all local codes if any; if not, in USA, follow ANSI Z223.1 and NFPA 54(88), in Canada follow CSA B149.1.
- This appliance must be installed in accordance with the manufacturer's installation instructions, local gas fitting regulations, municipal building codes, water supply regulations, electrical wiring regulations, AS/NZS 5601, Gas installations and any other relevant statutory regulations.
- A manufactured home (USA only) or mobile home OEM installation must conform with the Manufactured Home Construction and Safety Standard, Title 24 CFR, Part 3280, or, when such a standard is not applicable, the Standard for Manufactured Home Installations, ANSI/NCSBCS A225.1, or Standard for Gas Equipped Recreational Vehicles and Mobile Housing, CSA Z240.4. This appliance may be installed in Manufactured Housing only after the home is site located.
- All exhaust gases must be vented outside the structure of the living area. Combustion air is drawn from outside the living-area structure. The venting must not be connected to a chimney flue serving a separate solid-fuel burning appliance.
- Notify your insurance company before hooking up this fireplace.
- The instructions in this manual must be strictly adhered to. Do not use makeshift methods or compromise in the installation. Improper installation will void the warranty and safety listing.
- This heater is approved for use with natural gas (NG) or propane (LP). Burning the incorrect fuel will void the warranty and safety listing and may cause an extreme safety hazard. Direct questions about the type of fuel used to your dealer.
- Contact your local building officials to obtain a permit and information on any installation restrictions or inspection requirements in your area.
- If the flame becomes sooty, dark orange in color, or extremely tall, do not operate the heater. Call your dealer and arrange for proper servicing.
- It is imperative that control compartments, screens, or circulating air passageways of the heater be kept clean and free of obstructions. These areas provide the air necessary for safe operation.
- Do not operate the heater if it is not operating properly in any fashion or if you are uncertain. Call your dealer for a full explanation of your heater and what to expect.
- Do not store or use gasoline or other flammable liquids in the vicinity of this heater.
- Do not operate if any portion of the heater was submerged in water or if any corrosion occurs. Immediately call a qualified service technician to inspect the appliance and to replace any part of the control system and any gas control which has been underwater.

Safety Warnings (continued)

- Because this heater can be controlled by a thermostat there is a possibility of the heater turning on and igniting any items placed on or near the appliance.
- Light the heater using the built-in igniter. Do not use matches or any other external device to light your heater.
- Never remove, replace, modify, or substitute any part of the heater unless instructions are given in this manual. All other work must be done by a trained technician. Don't modify or replace orifices.
- The viewing glass should be opened only for conducting service.
- Allow the heater to cool before carrying out any maintenance or cleaning.
- Operate the heater according to the instructions included in this manual.
- If the main burners do not start correctly turn the gas off and call your dealer for service.
- This unit is not for use with solid fuel.
- Do not place anything inside the firebox (except the optional artwork).
- **Warning:** Do not operate appliance with the glass front removed, cracked, or broken. Replacement of the glass should be done by a licensed or qualified service person.
- Do not throw this manual away. This manual has important operating and maintenance instructions that you will need at a later time. Always follow the instructions in this manual.
- Instruct everyone in the house how to shut the gas off to the appliance and at the gas main shutoff valve. The gas main shutoff valve is usually next to the gas meter or propane tank and requires a wrench to shut off.
- A barrier designed to reduce the risk of burns from the hot viewing glass is provided with this appliance and shall be installed for the protection of children and other at-risk individuals.
- If the barrier becomes damaged, the barrier shall be replaced with the manufacturer's barrier for this appliance.
- Clothing or other flammable material should not be placed on or near the appliance.
- Any safety screen, guard, or barrier removed for servicing an appliance must be replaced prior to operating the appliance.
- Installation and repair should be done by a qualified service person. The appliance should be inspected before use and at least annually by a professional service person. More frequent cleaning might be required due to excessive lint from carpeting, bedding material, et cetera. It is imperative that control compartments, burners, and circulating air passageways of the appliance be kept clean.
- **Travis Industries, Inc. grants no warranty, implied or stated, for the installation or maintenance of your heater, and assumes no responsibility of any consequential damage(s).**
- Do not place articles on or against this appliance.
- Do not use or store flammable materials near this appliance.
- Do not spray aerosols in the vicinity of this appliance while it is in operation.
- Do not modify this appliance.
- Appliances incorporating a live fuel effect, and designed to operate with luminous flames, may exhibit slight carbon deposition.

Features

- Works During Power Outages (battery backup system)
- Blower and Remote Control Included
- Standing or Intermittent (GreenSmart) Pilot
- Convenient Operating Controls
- Variable-Rate Heat Output
- Accent Light

Installation Options

- Residential or Mobile Home
- Fireplace inbuilt
- Masonry or Factory Built (Metal) Wood-Burning Fireplace
- Natural Gas or Propane

Heating Specifications

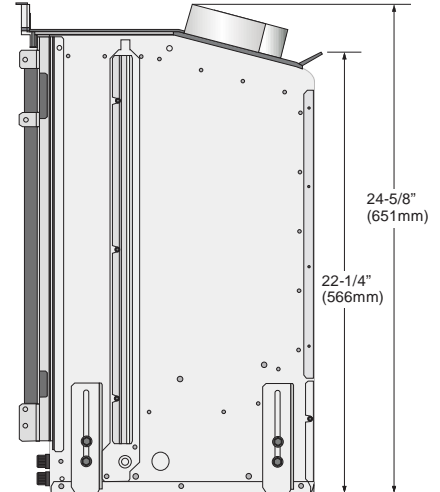
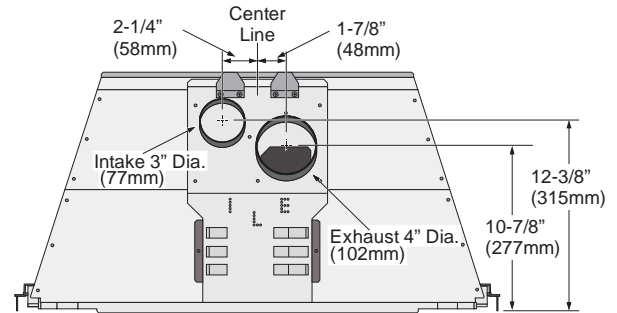
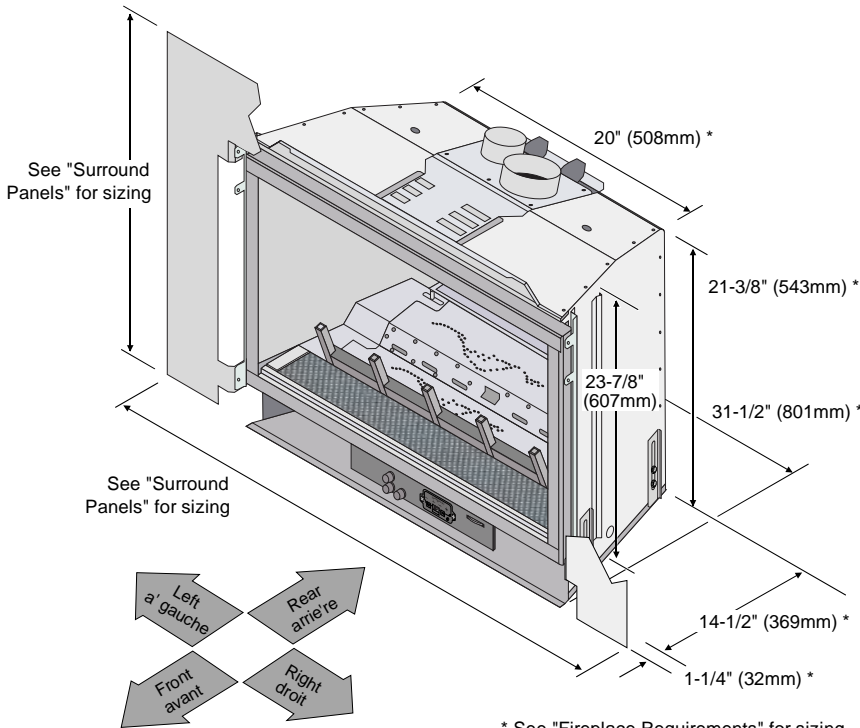
Approximate Heating Capacity (in square meters)*
 Maximum MegaJoules Input Per Hour

Natural Gas
 56 to 186
 40

Propane
 56 to 186
 40

* Heating capacity will vary with floor plan, insulation, and outside temperature.

Dimensions



* See "Fireplace Requirements" for sizing details with Trim Kit or without.

Electrical Specifications

Electrical Rating 240 Volts, 0.9 Amps, 50 Hz (205 watts).

Fuel

This heater is shipped in natural gas (NG) configuration but may be converted to use propane (LP) using a conversion kit. The sticker on top of the gas control valve will verify the correct fuel.

Installation Warnings

- Failure to follow all of the requirements may result in property damage, bodily injury, or even death.
- This heater must be installed by a qualified installer who has gone through a training program for the installation of direct vent gas appliances.
- The installation must conform with local codes or, in the absence of local codes, with the National Fuel Gas Code, ANSI Z223.1/NFPA 54, or the National Gas and Propane Installation Code, CSA B149.1.
- In Manufactured or Mobile Homes must conform with Manufactured Home Construction and Safety Standard, Title 24 CFR, Part 3280, or, when such a standard is not applicable, the Standard for Manufactured Home Installations, ANSI/NCSCS A225.1. This appliance may be installed in Manufactured Housing only after the home is site located.
- The heater is designed to operate on natural gas, or propane (LP).
- All exhaust gases must be vented outside the structure of the living area. Combustion air is drawn from outside the living-area structure.
- Notify your insurance company before hooking up this heater.
- The requirements listed below are divided into sections. All requirements must be met simultaneously. The order of installation is not rigid – the qualified installer should follow the procedure best suited for the installation.

Packing List

- Propane Conversion Kit (Orifices, Manifold Cover, etc.)
- Top Convection Deflector
- "Fireplace Altered" tag (attach to the fireplace)
- Plugs for Surround Panels
- Remote Control

Items Packed with the Face

- Face with attachment hardware
- Face Installation Instructions

Order of Installation

1. Run gas line to the fireplace
2. Remove the glass frame.
3. Run vent through fireplace chimney. On larger fireplaces, the vent connector may be left in place. For smaller fireplaces, remove the vent connector. See "Vent Connector Removal and Installation" for details.
4. Place inbuilt into position and attach the gas line and vent.
5. If converting to LP gas, Remove the burner and media tray. **If not, skip this step.**
6. Install the firebacks (optional).
7. Replace the burner (if needed).
8. Install the media.
9. Install the surround panel (see instructions included with surround panel).
10. Replace the glass.
11. Install the face (see instructions included with the face).
12. Follow the instructions under "Finalizing the Installation."

NOTE: If using propane (LP), convert the appliance at this time.

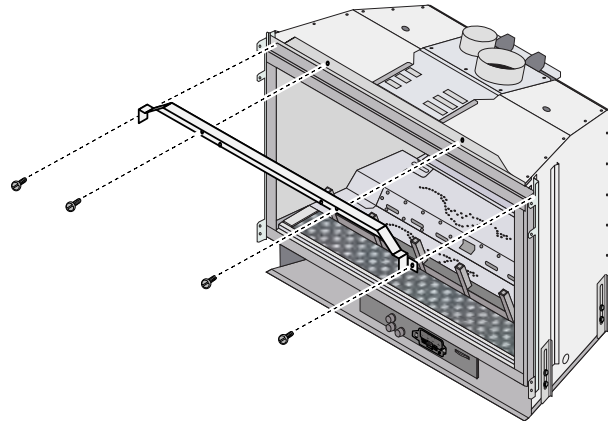
Additional Items Required

- 3" (77mm) and 4"(102mm) Diameter Gas Liner with Termination (sku# 96200340)
- Gas Line Equipment (shutoff valve, pipe, etc.)
- Panel Kit
- Media (Logs)
- Face
- **If using LP (propane) a conversion kit is required (4-pack = 94400999, single = 250-01463).**

Top Convection Deflector

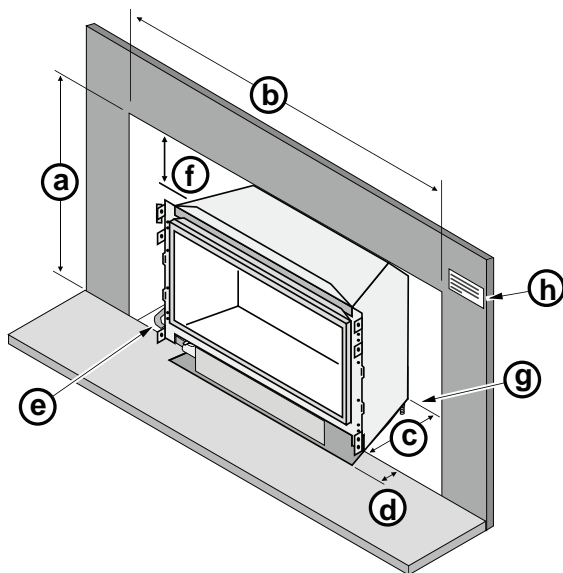
Install the top convection deflector as shown to the right.

The deflector is shipped on top of the inbuilt. The screws are shipped inside the owner's pack.



Fireplace Requirements

- Inbuilt must be placed within a code-conforming masonry fireplace or tested and listed factory-built (metal) wood-burning fireplace. Repair any fireplace damage prior to installation.
- Because the inbuilt uses a circulation blower, clean the fireplace, smoke shelf, and chimney prior to installation.
- This heater may be placed in a bedroom. Please be aware of the large amount of heat this appliance produces when determining a location.



Fireplace Sizing	1-Piece Panel	1-Piece Panel w/ Trim
(a) Minimum Height	24-7/8" (632mm)	23-3/4" (604mm)
(b) Minimum Front Width	32-1/2" (826mm)	31-1/2" (800mm)
(b) Minimum Rear Width	20" (508mm)	20" (508mm)
(c) Minimum Depth	15-3/4" (400mm) or 16-1/4" (413mm) w/ Arched Faces	14-1/2" (369mm) or 15" (381mm) w/ Arched Faces
(d) Hearth Extension	0" (0mm)	1-1/4" (32mm)

- (e) The gas and electrical line should be installed prior to installing the heater.
- (f) For tight fits (under 28") see the section "Removing the Vent Connector"
- (g) See "Leveling Bolts" for details on leveling the heater.
- (h) Attach the "This fireplace has been altered..." plate to the fireplace (use two screws or other suitable method). You may wish to place it in a location where it will be covered by the surround panels.

Factory-Built (Metal) Wood-Burning Fireplace Requirements

The damper ("A") and grate (with log set) ("B") must be removed (see the illustration below)

The smoke shelf ("C"), internal baffles ("D"), screen ("E"), masonry lining or refractory ("G" & "I"), and metal or glass doors ("F") may be removed (if applicable)

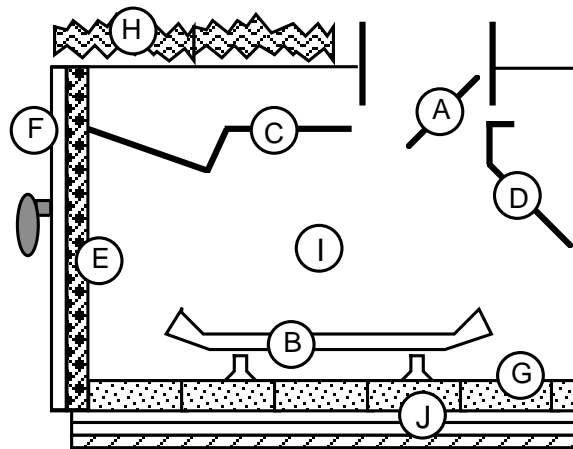
The fireplace must be permanently marked to indicate that it has been altered and is no longer suitable for burning solid fuel (wood), unless the removed parts are re-installed. Cutting of any sheet metal parts or glass is prohibited.

WARNING: This fireplace has been converted for use with a fireplace insert and cannot be used for burning wood or solid fuels unless all original parts have been replaced and the fireplace re-approved by the authority having jurisdiction. 0530

Attach the "This fireplace has been altered..." plate to the fireplace (use two screws or other suitable method). You may wish to place it in a location where it will be covered by the surround panels.

The insulation ("H"), and any structured rigid frame members must not be removed or altered (side and top of door frame, side, and top of the face of the fireplace, metal sides, etc.).

The metal floor ("J") may be removed to allow additional room for installation of the inbuilt. If the floor is removed the inbuilt must be placed directly on the metal base of the metal fireplace.



***CAUTION:** Firebox floor removal is not covered under the appliance safety standard (ANSI Z21.88 CSA 2.33) used in the safety certification of this appliance, however, this method has been tested by Travis Industries and it has been determined to be safe following the instructions below. Before installing the appliance using this method, contact the Authority Having Jurisdiction to determine if this installation is acceptable in your area. The sheet metal base (or metal wrap) of the fireplace must be left in place and the inbuilt leveling leg adjusted to maintain a minimum ¼" (6.4mm) air gap.

If the factory-built fireplace has no gas access hole(s) provided, an access hole of 1-1/2 inch (37.5 mm) or less may be drilled through the lower sides or bottom of the firebox in a proper workmanship like manner. This access hole must be plugged with non-combustible insulation after the gas supply line has been installed.

Hearth Requirements

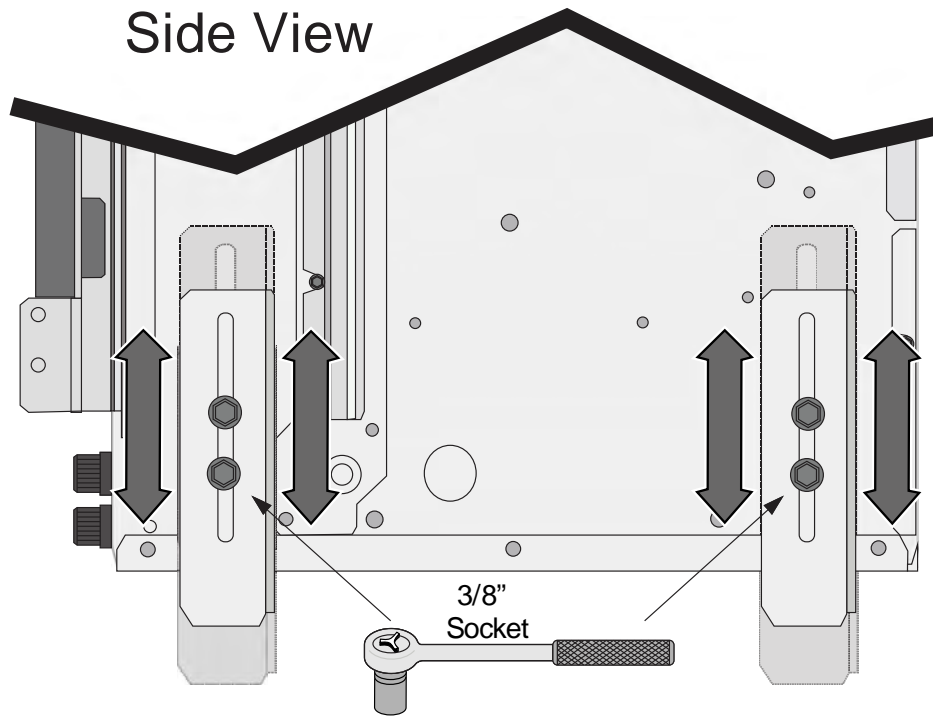
The heater and face must not contact combustible surfaces. A non-combustible hearth extension is not required. However, if the heater is installed next to the floor, we recommend a hearth to protect the flooring surface from discoloration or other negative impact from the heater.

10

Installation (for qualified installers only)

Leveling Legs

This heater includes front and rear leveling legs to accommodate fireplaces with a step-down firebox. Loosen the (8) bolts and adjust the legs down until the inbuilt is properly supported and level.



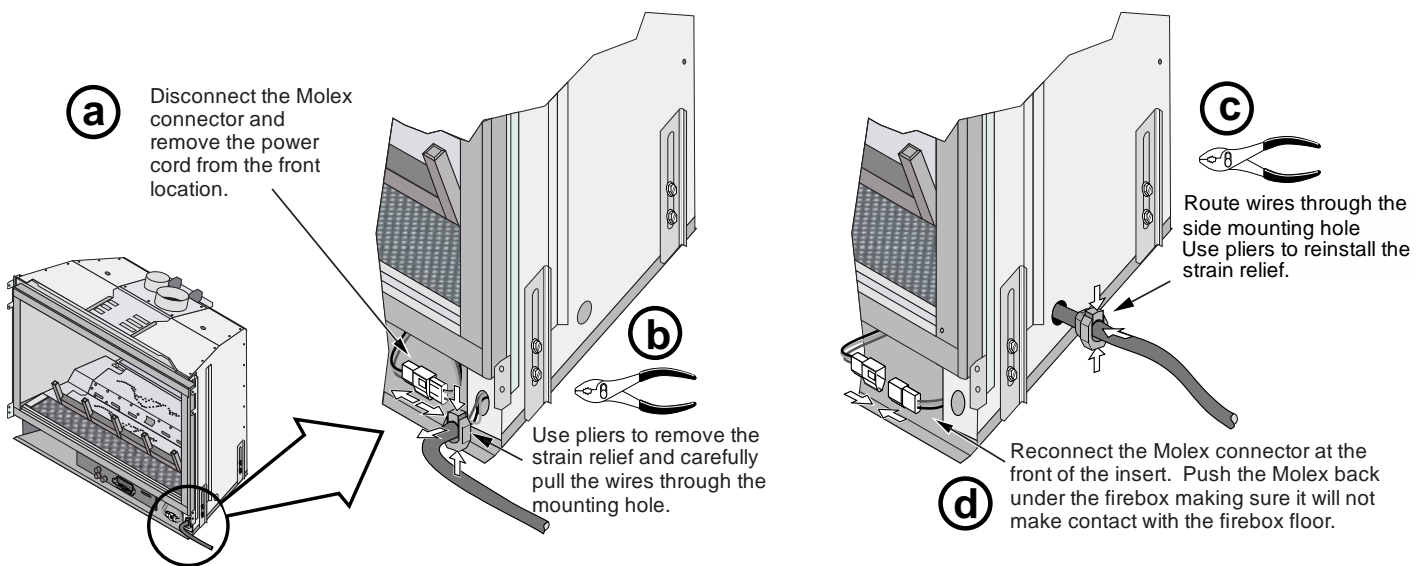
Electrical Requirements

Travis Industries manufactures an “Inbuilt Wiring Kit” for this inbuilt (sku 97200315). This kit allows installers to wire 240-volt AC power into a fireplace directly to the inbuilt, eliminating the need for an external power cord.

- The power cord comes out of the lower front portion of the appliance (stock).
- Plug the power cord into a grounded 240 Volt outlet (do not remove the grounding pin).
- The appliance, when installed, must be electrically grounded in accordance with local codes or, in the absence of local codes, with the *National Electrical Code, ANSI/NFPA 70*, or the *Canadian Electrical Code, CSA C22.1*.
- Do not route the power over the appliance or near any hot or moving components.

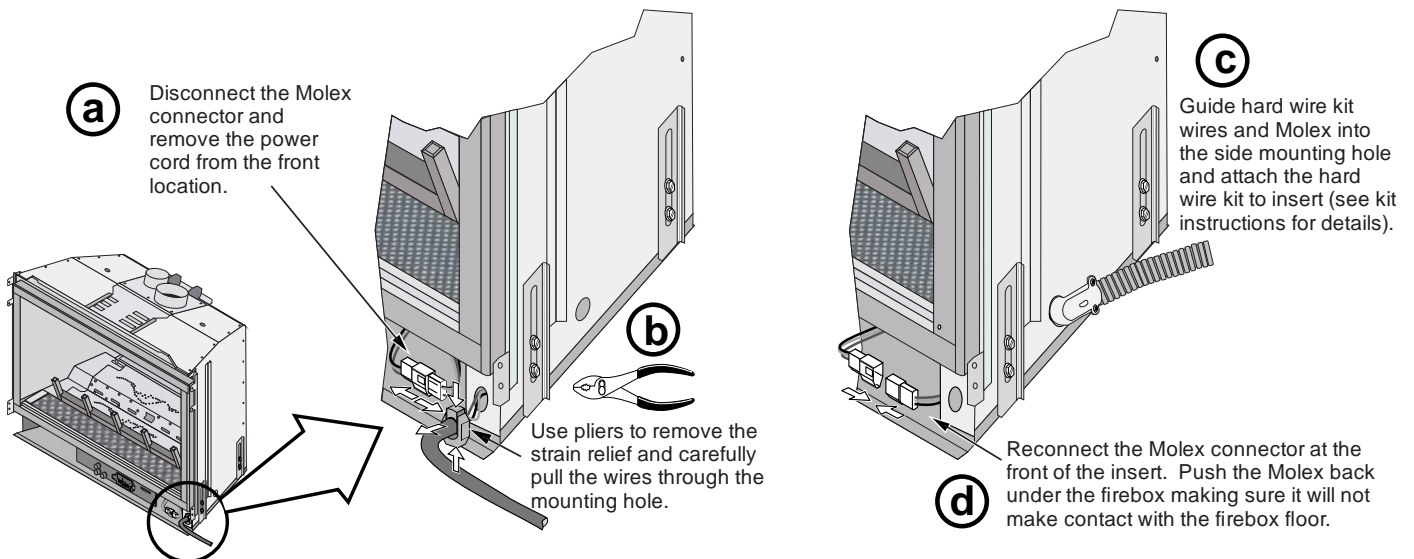
Re-Routing the Power Cord to the Side of the Inbuilt

The power cord is shipped attached to the front right corner of the inbuilt. It may be routed to the side of the inbuilt. See the directions below for details.



Using the Inbuilt Wiring Kit

See the instructions included with the inbuilt wiring kit for attaching the kit to the side of the inbuilt.

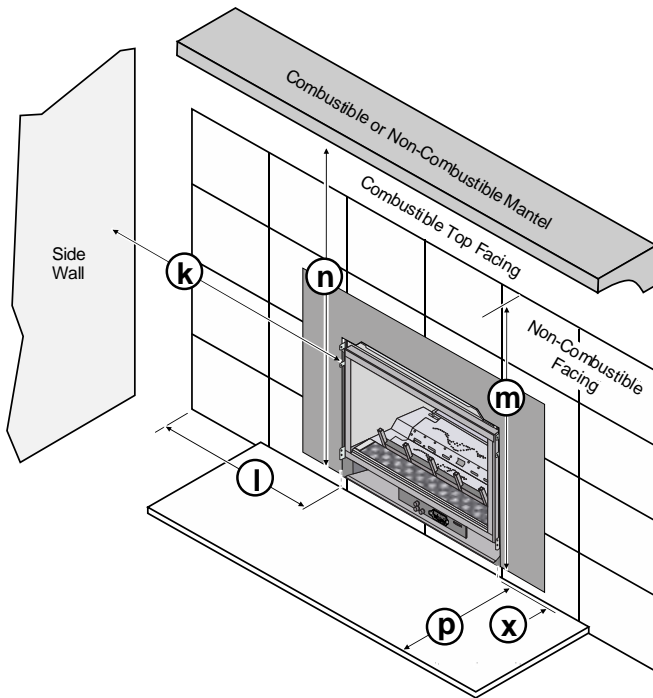


12

Installation (for qualified installers only)

Clearances

Due to the high temperature of the heater, it should be located out of traffic and away from furniture and draperies.



	Minimum Clearances
k Sidewall to Inbuilt	4" (102mm)
l Side Facing (non-combustible)	4" (102mm)
m Top Facing* (non-combustible)	35-1/2" (902mm)
n Mantel* (combustible or non-combustible)	35-1/2" (902mm)
p Hearth Extension to the front	0" (0mm)
x Extension onto Hearth	
1-Piece Panel <u>w/o</u> Trim	0" (0mm)
1-Piece Panel w/ Trim kit	1-1/4" (32mm)

* Measured from the base of the inbuilt.

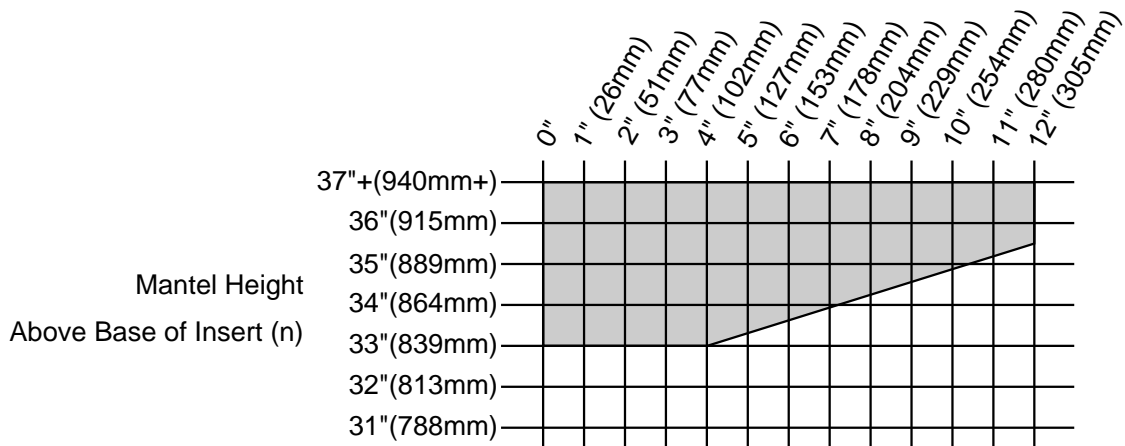
NOTE: the non-combustible top facing must extend 35-1/2" (902mm) above the base of the inbuilt or to the bottom of the mantel (whichever is less).

Mantel Clearances

The maximum mantel depth is 12" (305mm).

NOTE: The combustible area above the facing must not protrude more than 3/4" (20mm) from the facing. If it does, it is considered a mantel and must meet the mantel requirements listed in this manual.

Maximum Mantel Depth

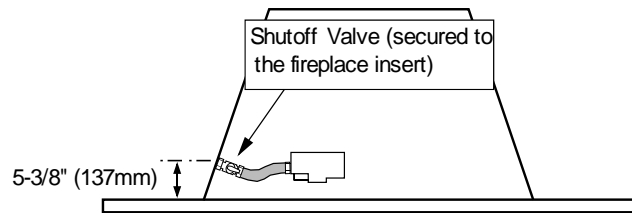


Gas Line Requirements

- The gas line must be installed in accordance with all local codes if any; if not, follow ANSI 223.1 and the requirements listed below.
- A manual shutoff valve is required within 3' of the heater. It should be placed upstream of the flex line (if used) and may be installed behind the access door inside the heater. .)
- The heater and gas control valve must be disconnected from the gas supply piping during any pressure testing of that system at test pressures in excess of 1/2 psig. For pressures under 1/2 psig, isolate the gas supply piping by closing the manual shutoff valve.
- Leak test all gas line joints and the gas control valve prior to and after starting the heater.
- This heater is designed either for natural gas or for propane (but not for both). Check the sticker on the top of the gas control valve to make sure the correct fuel is used (see illustration on page 4).
- Installation must be performed by a qualified installer, service agency, or the gas supplier (In Massachusetts a licensed plumber/gasfitter).

Gas Line Location

- The gas inlet accepts a 1/2" MPT.



Gas Inlet Pressure

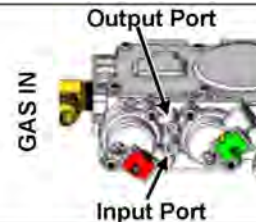
Gas Pressure	Max. Input Pressure	Min. Input Pressure	Max. Manifold Pressure	Min. Manifold Pressure
Natural Gas	7" W.C. (1.74 kPA)	4.54" W.C. (1.13 kPA)	3.5" W.C. (0.87 kPA)	1.6" W.C. (0.40 kPA)
Propane	13" W.C. (3.24 kPA)	11" W.C. (2.75 kPA)	10.53" W.C. (2.62 kPA)	2.77" W.C. (0.69 kPA)

- If the pressure is not sufficient, make sure the piping used is large enough, the supply regulator is adequately adjusted, and the total gas load for the residence does not exceed the amount supplied.
- The supply regulator (the regulator that attaches directly to the residence inlet or to the propane tank) should supply gas at the suggested input pressure listed above. Contact the local gas supplier if the regulator is at an improper pressure.

Directions for Connecting a Gas Pressure Test Gauge

The gas control valve (shown to the right) has two test ports for testing input (line pressure) and output (manifold) pressure. Loosen the brass screw on either test port and place a 5/16" i.d. rubber or plastic tube over the tapered test port. Connect the tube to the test gauge.

WARNING: The brass screw must be tightened after testing to prevent gas leakage.



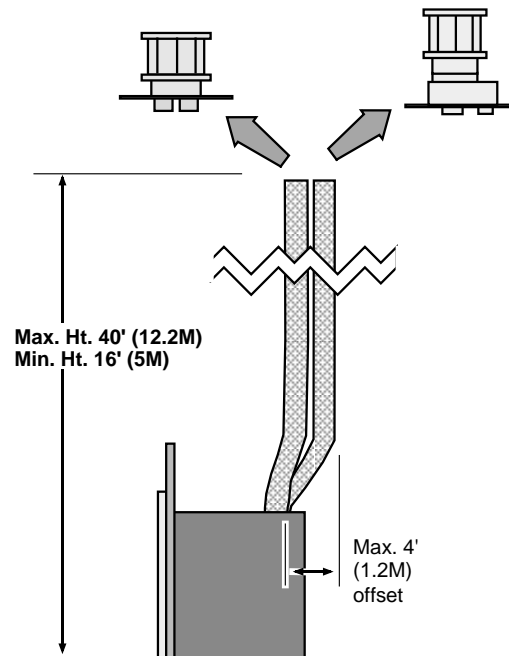
Vent Requirements

Vent Kit - 96200340 - High Wind 3"/4"

Travis Industries stocks a vent kit for this inbuilt. The kit includes 30' of 3" (77mm) & 4" 102mm) vent, 4 clamps, and termination. The flashing is 18" (458mm) by 18" (458mm).



- The gas appliance and vent system must be vented directly to the outside of the building, and never be attached to a chimney serving a separate solid fuel or gas-burning appliance. Each direct vent gas appliance must use its own separate vent system.
- Installation instructions for DuraVent may be found at www.duravent.com.
- Make sure the exhaust pipe on the heater connects to the exhaust portion of the cap. The illustrations below show how the flex liners should be attached.
- The exhaust vent must reline the entire length of the chimney and terminate above the chimney top
- Be careful not to crimp or rupture the liner when bending it into chimney offsets
- When installed, the vent must meet all of the vent manufacturer's requirements
- Use the following vent:
 - 4" UL 441 or 1777 Gas Liner for Exhaust, 3" UL 441 or 1777 Gas Liner for Air Inlet
 - Duravent Chimney Liner Termination (use one of the two listed below):
 - High-Wind Vertical Cap with 3" & 4" Co-Linear Connection
 - 3" & 4" Co-Linear to 6-5/8" Co-Axial Adapter, Flashing, & High-Wind Vertical Cap



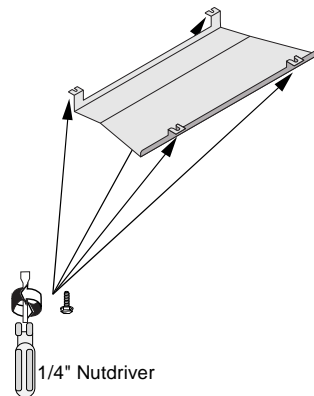
Drafting Performance

This direct vent appliance requires natural draft to operate (similar to a wood stove or other heating appliance). Draft can be adjusted using the included restrictor. The restrictor settings detailed in the manual should be followed (variations may occur depending upon installation parameters).

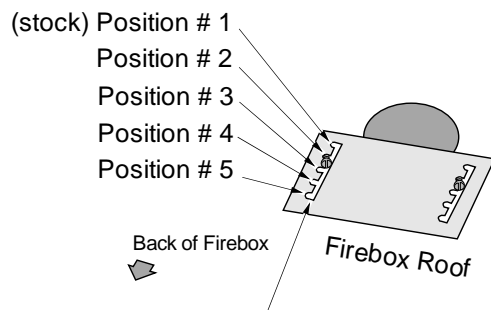
Many factors may negatively influence the draft of the appliance. Dragon Wholesaling will not be responsible for improper draft due to factors such as trees, hills, buildings, obstructions, excessive wind, extreme hot or cold outdoor temperatures, restrictive vent terminations, or influence from mechanical systems.

Exhaust Restrictor Settings

Use a 1/4" nut driver to loosen the screws that secure the baffle to the top of the firebox. Slide the baffle slightly forward until the screw heads are in line with the keyhole slots. Lower the baffle and remove from the firebox. (Re-install baffle after the restrictor has been adjusted).

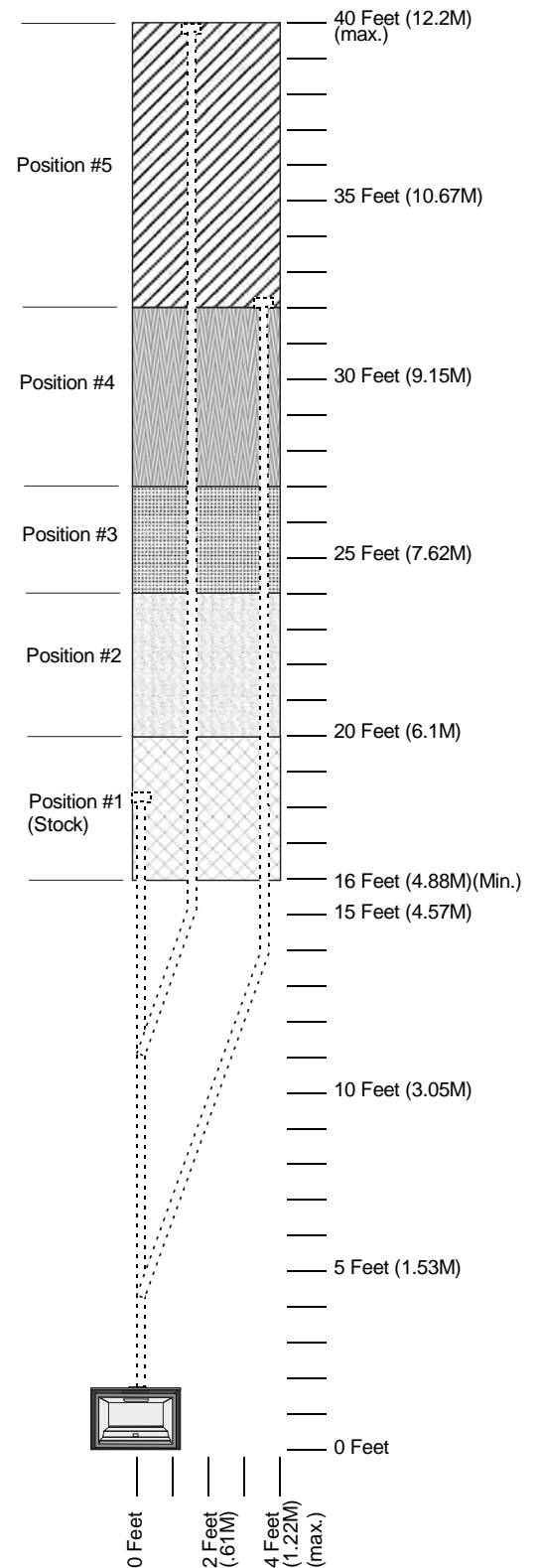
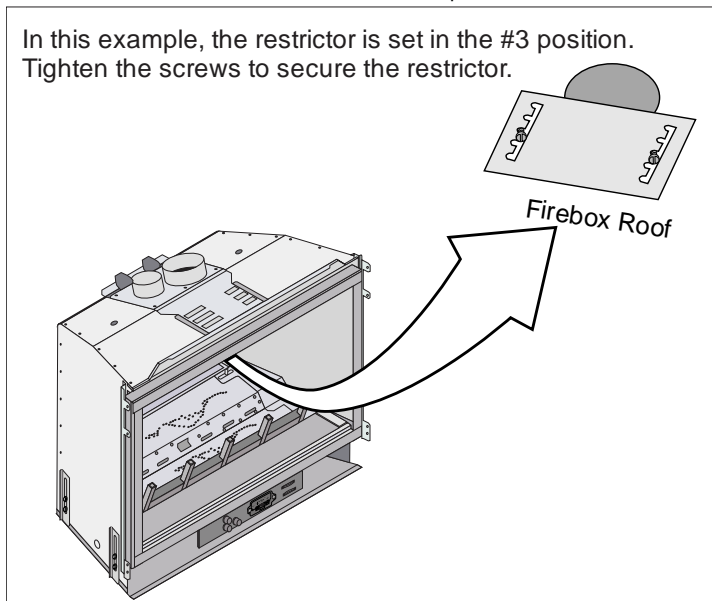


Slide the restrictor to the correct position (consult the vent chart to the right to determine the proper setting for your installation). The screw location indicates the restrictor position.



Loosen the 2 screws on the exhaust restrictor. Slide the restrictor to the correct restrictor position then tighten the screws to secure the restrictor. In this illustration, the restrictor is in position 2.

In this example, the restrictor is set in the #3 position. Tighten the screws to secure the restrictor.

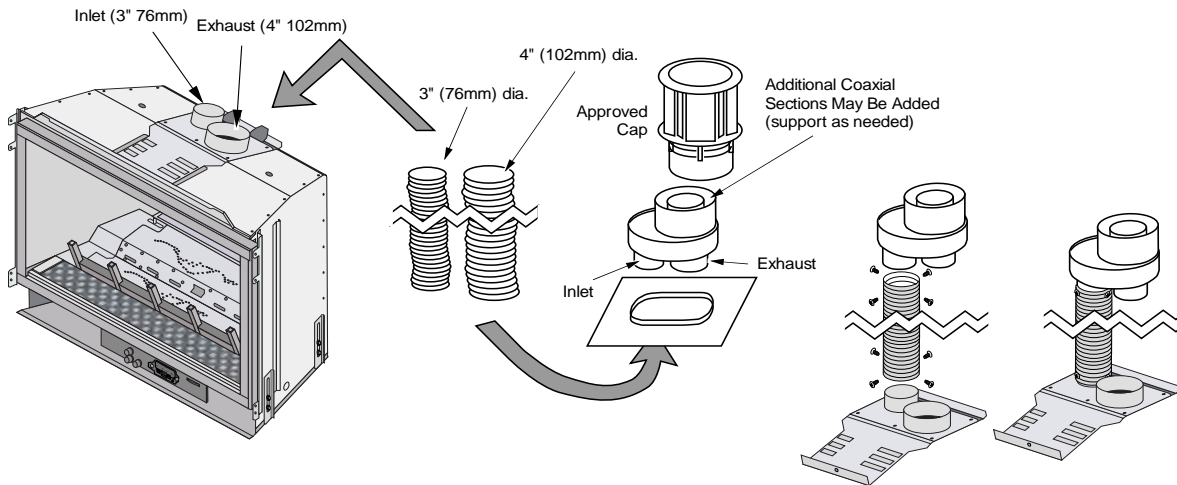


16

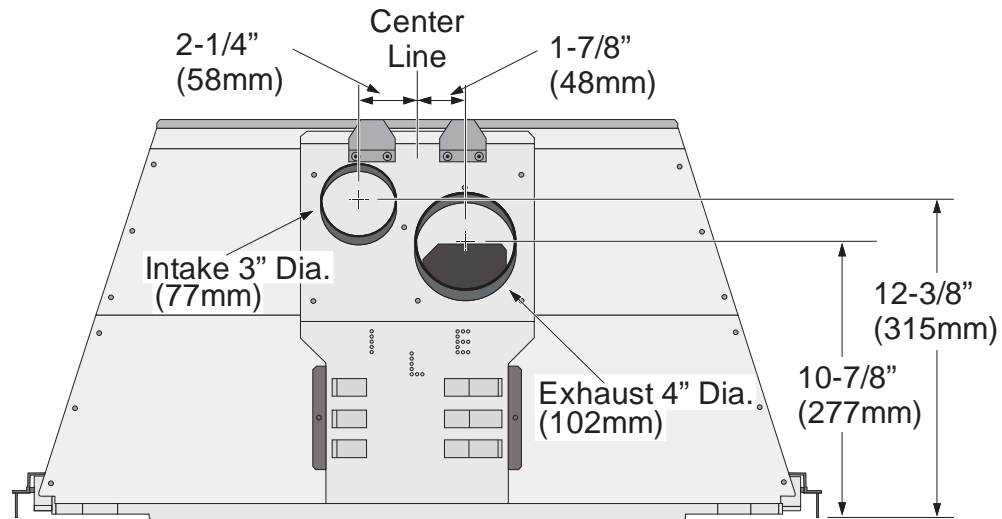
Installation (for qualified installers only)

Vent Installation

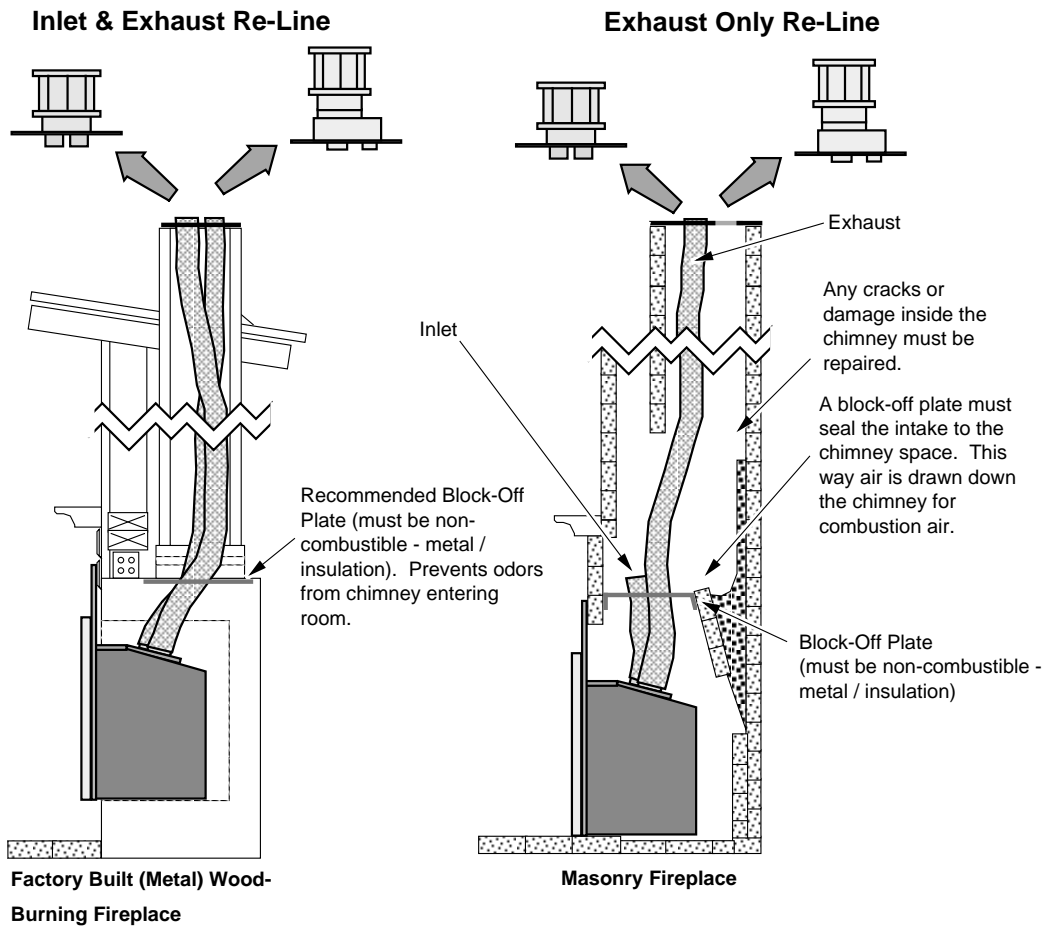
- Installation instructions for Dura-Vent may be found at www.duravent.com.
- Secure the flex to the inbuilt and termination using screws or hose clamps.



Vent Location



Vent Configurations



NOTE: You may use either re-line configuration with a masonry or zero-clearance fireplace.

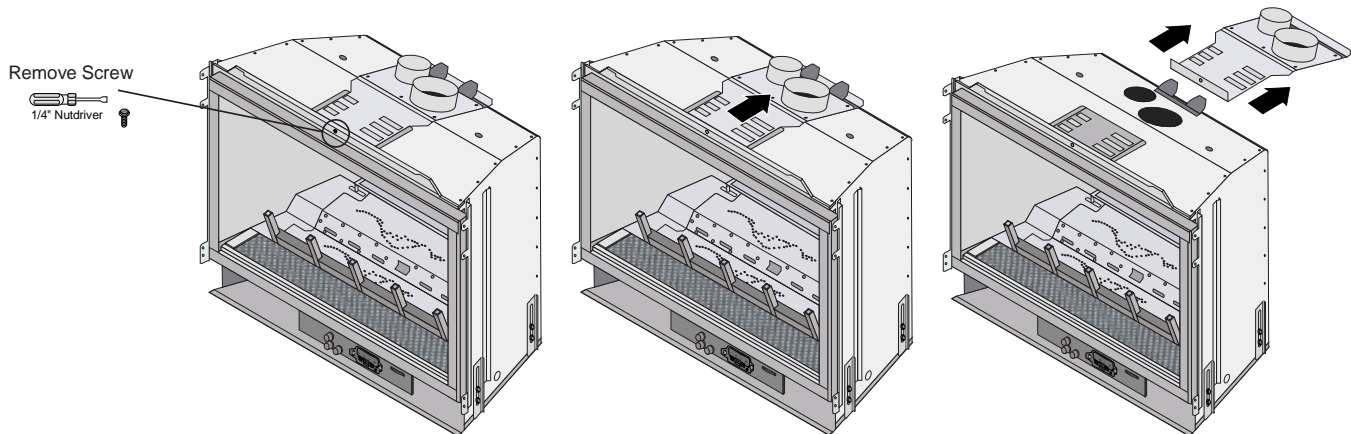
CAUTION: The “Exhaust Only Re-line” is not covered under the appliance safety standard (ANSI Z21.88 CSA 2.33) used in the safety certification of this appliance. The Omni safety certification does not apply to this installation. Before installing the appliance using this method, contact the Authority Having Jurisdiction to determine if this installation is acceptable in your area. This type of installation requires a minimum chimney cross-section of 48 square inches.

Vent Attachment – Tight Installations

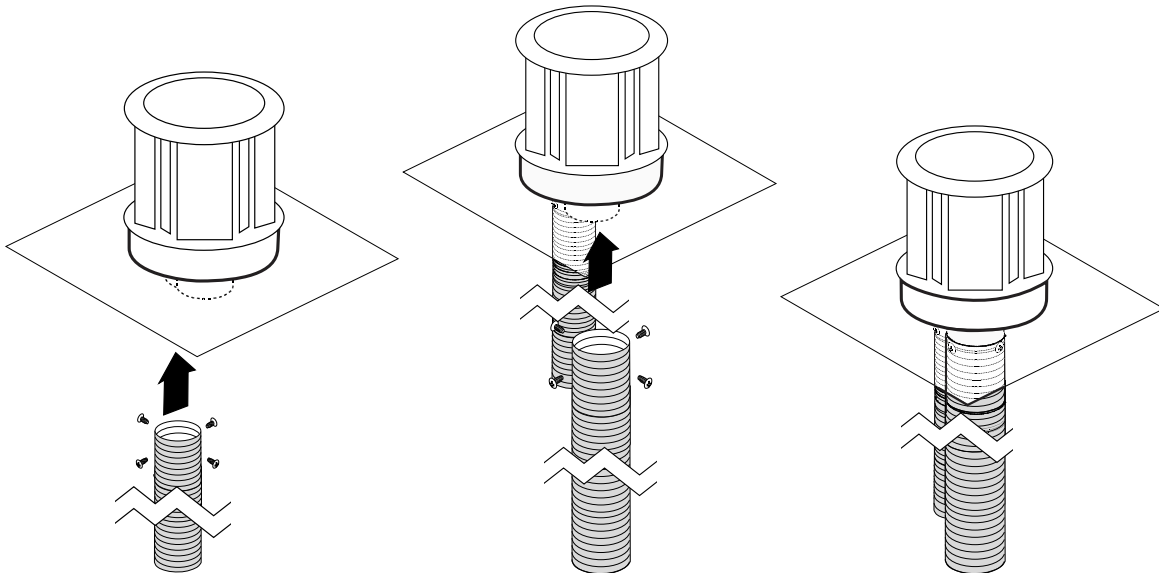


The vent connector is shipped attached to the inbuilt, but must be removed to facilitate tight installations. See the directions below for installation.

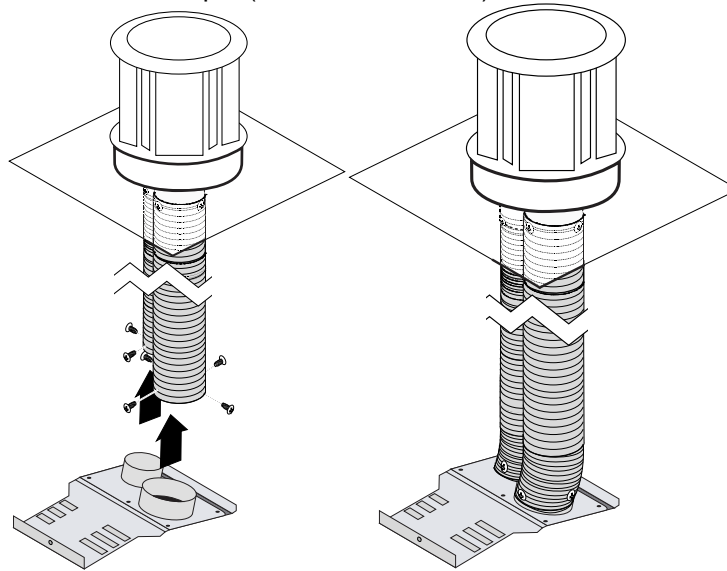
- Locate the screw in the top-center of the front of the inbuilt. Use a ¼" nut driver to remove the screw and slide the connector toward the back of the inbuilt to disengage the connector from the top of the inbuilt.



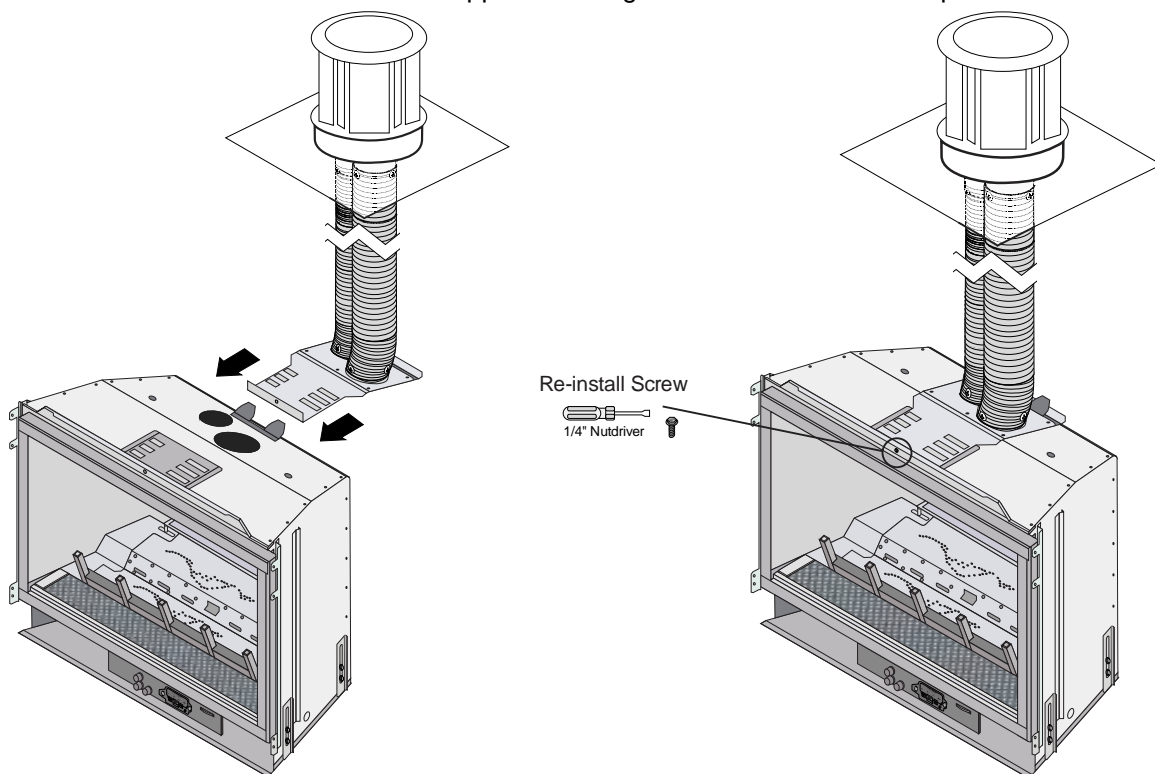
- Stretch the liners to their full length. Attach the flex liners to the cap (secure with screws). Route the flex vent through the chimney from above.



- Pull the liners straight and cut to length (height of the inbuilt). Attach the bottom of the flex liners to the connector, removed in step 1 (secure with screws).



- Slide the inbuilt into place while guiding the vent connector into the guides on top of the inbuilt. Secure the vent connector to the appliance using the screw removed in step 1.



Altitude Considerations

- This heater has been tested at altitudes ranging from sea level to 6,000 feet (1,800 M). In this testing we have found that the heater, with its standard orifice, burns correctly with just an air shutter adjustment.
- Failure to adjust the air shutter properly may lead to improper combustion which can create a safety hazard. Consult your dealer or installer if you suspect an improperly adjusted air shutter.

Horizontal Termination

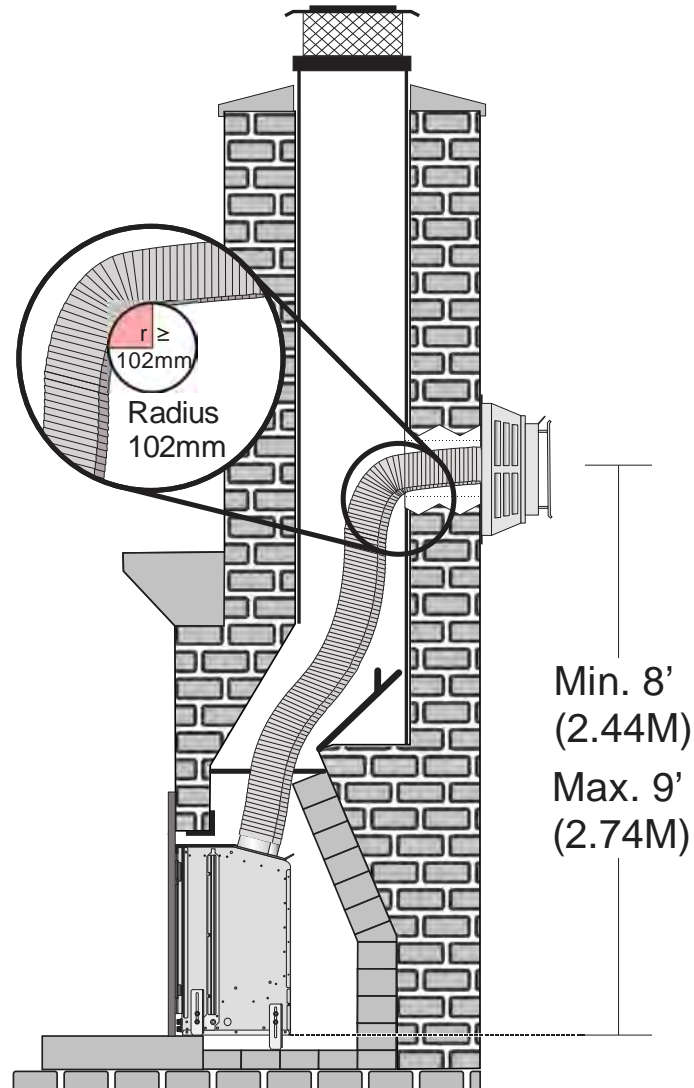
DuraVent manufactures a vent kit for horizontal that allows for terminating horizontally when installed in a masonry fireplace (not for use with ZC fireplaces). The DuraVent kit (46DVA-HCL33 and 46DVA HCL34) is approved for use with Travis Industries gas inbuilts.

These kits can be purchased from your DuraVent dealer.

Application	DuraVent Part #
For inbuilts that use 3" (77mm) exhaust and 3" (77mm) intake	46DVA-HCL33
For inbuilts that use 3" (77mm) exhaust and 4" (102mm) intake	46DVA-HCL34

Refer to the kit manufacturer's instructions for details and requirements for installation. In addition to the manufacturer's requirements, the following requirements must be met:

- The termination center **MUST** be a minimum of 8' (2.44M) from the base of inbuilt.
- The termination center **MUST NOT** be more than 9' (2.74m) from the base of the inbuilt.
- The radius of any bends in the flexible venting **MUST NOT** be less than a 4" (102mm) radius
- All portions of the venting **MUST** have at least a 1/4" (6.35mm) rise per 12" (305mm) of horizontal run



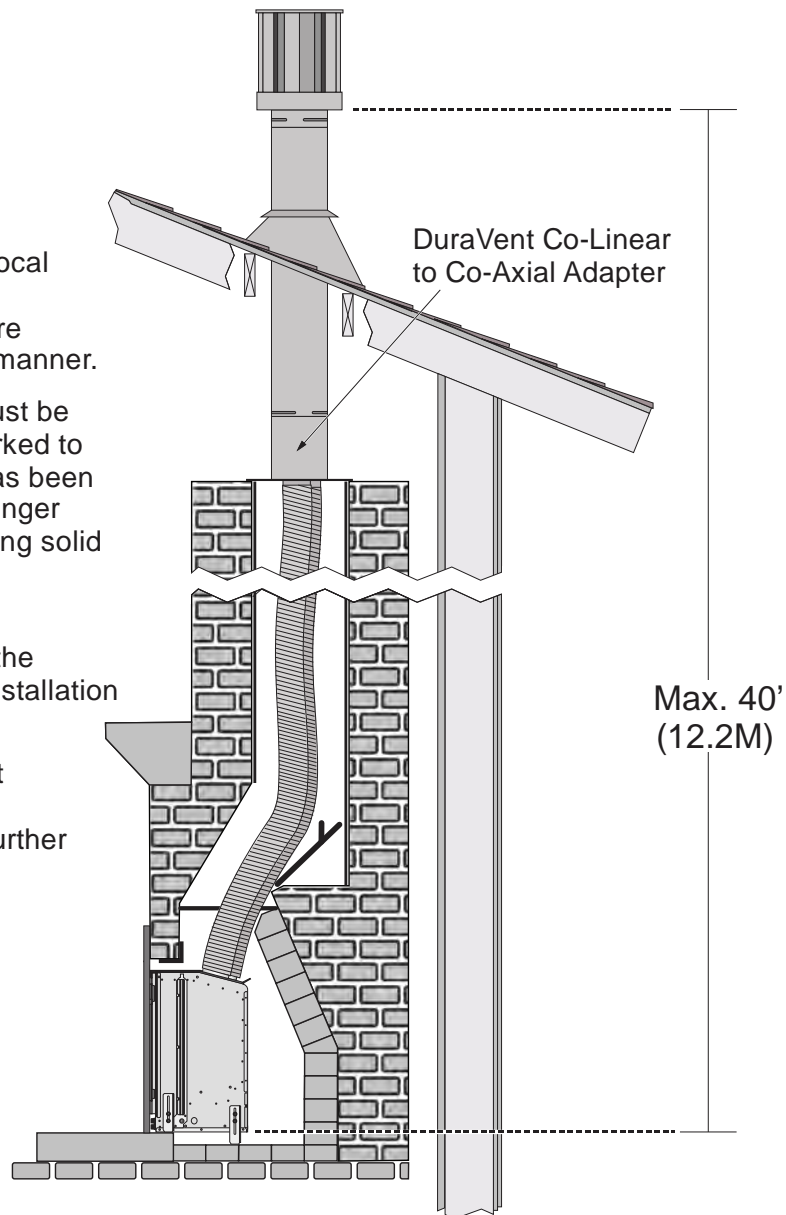
Co-Linear to Co-Axial Pipe

DuraVent manufactures a vent kit that adapts flexible co-linear venting to co-axial pipe. This can be helpful for situations such as when a damaged masonry chimney top is removed to below the roofline or when an additional story is added to a home and the added height covers the existing masonry chimney height. The DuraVent kits (46DVA-CLTA and 46DVA-34CLTA) are approved for use with Travis Industries gas inbuilts.

These kits can be purchased from your DuraVent dealer.

Application	DuraVent Part #	DuraVent Stock #
For inbuilts that use 3" (77mm) exhaust and 3" (77mm) intake	46DVA-CLTA	810014742
For inbuilts that use 3" (77mm) exhaust and 4" (102mm) intake	46DVA-34CLTA	810014340

- Check with the local Authority Having Jurisdiction before installing in this manner.
- The fireplace must be permanently marked to indicate that it has been altered and no longer suitable for burning solid fuel (wood).
- All additional requirements in the manual for the installation must be met.
- Refer to the vent manufacturer's instructions for further details.



Surround Panel Installation

There are two styles of surround panels. They can be identified using the information below.

- Original panels – Fit previous versions of the DVL and can be used on DVL EG with the additional brackets included with the panel.
- Ember-Glo only panels – Fit onto the DVL EG units only and do not require any additional brackets.

See the appropriate panel installation instructions below based on the panel you are installing:

NOTE: The inbuilt may be installed without surround panels.

Original - 1-Piece Surround Panels

PANEL SIZE	WIDTH	HEIGHT	PART #
Small	42" (1067mm)	30-1/2" (775mm)	96100323
Large	44" (1118mm)	34" (864mm)	96100319

Ember-Glo Only - 1-Piece Surround Panels

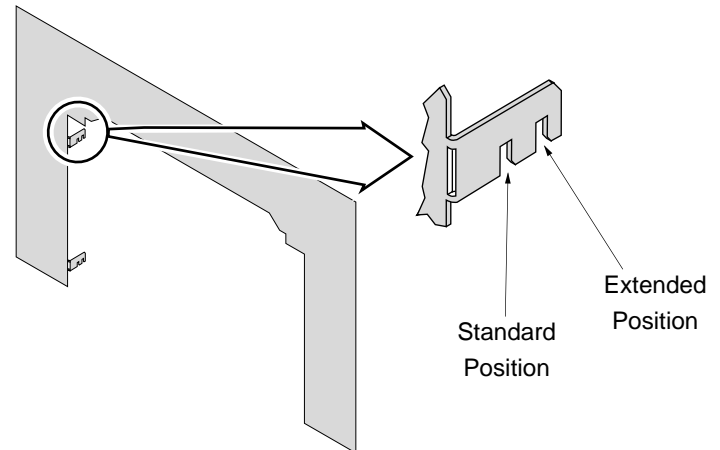
PANEL SIZE	WIDTH	HEIGHT	PART #
Small	42" (1067mm)	30-1/2" (775mm)	96100364
Large	44" (1118mm)	34" (864mm)	96100365

Arched Faces with Screens Require Use of the Extended Position Notch

This surround panel has 2 notches. Notch position is determined by the face being used (see below)

Standard Position – used for all faces except for the arched faces with screens. All other faces use the standard position notch. If you are uncertain, use the standard position.

Extended Position – used only for arched faces with screens. The extended position allows room for the screen and eliminates the 1/2" (12.7mm) gap to the panel. The extended position notch positions the inbuilt 1/2" (12.7mm) farther into the fireplace cavity.



Inside Fit Panels

The panels may be cut down in size and placed within the fireplace opening.

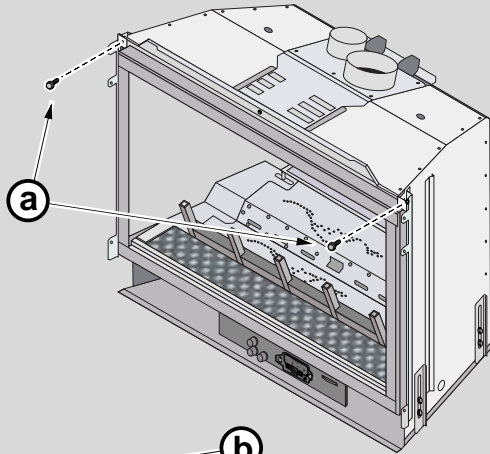
Routing the Power Cord

Because this panel fits flush against the fireplace facing, the panel does not have a notch allowing the power cord to exit the fireplace. We recommend using the inbuilt wiring kit (sku 97200315) to route power to the inbuilt. Otherwise, route the power cord behind the panel to the right side (the panel or fireplace may be notched if required) (See page 11 for details).

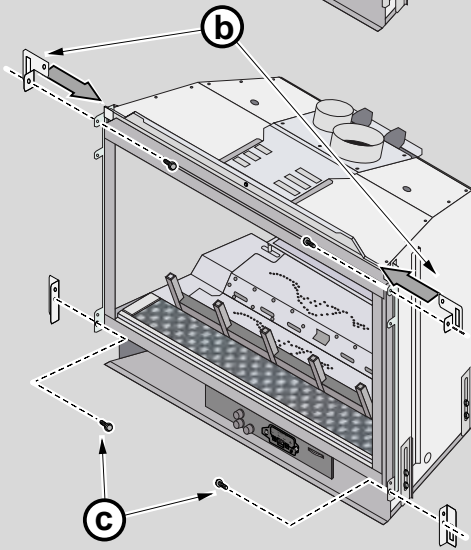
Original Panel Installation

Before installation, the inbuilt should be in place with the gas line and vent attached. Pull the inbuilt out slightly to assist in the installation.

1. Attach the mounting brackets as shown below (NOTE: Remove glass frame prior to installing brackets).



- a. Remove the two screws from the air deflector.

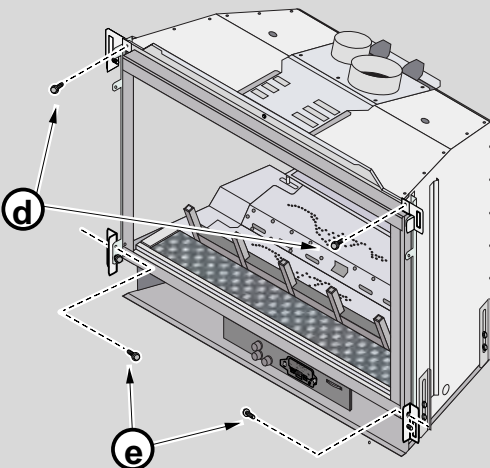


- b. Slide the upper mounting brackets into place. NOTE: The brackets slide under the air deflector. Secure the upper brackets with the included screws.

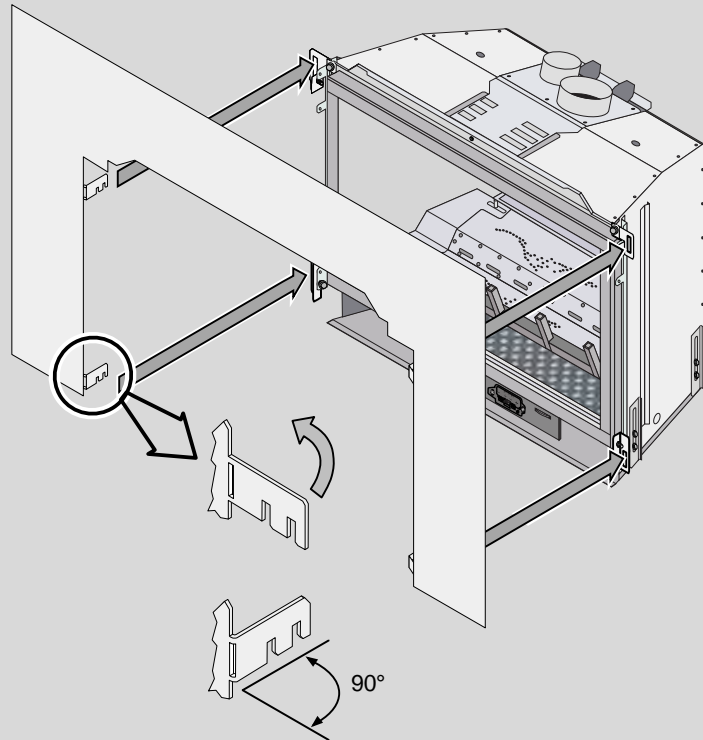
- c. Attach the lower mounting brackets with two screws (use the lower holes).

- d. Replace the two screws removed in step "a".

- e. Install two screws into the upper holes on the mounting brackets. NOTE: The upper screws keep the brackets from swiveling.



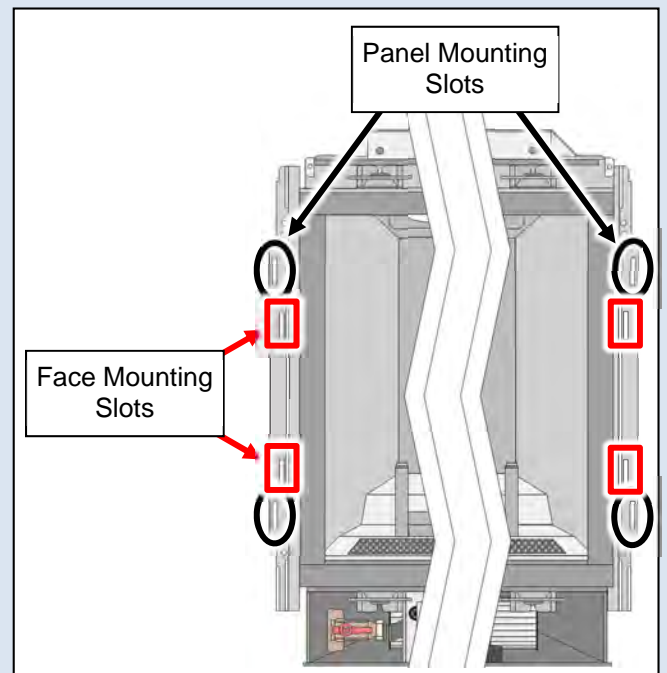
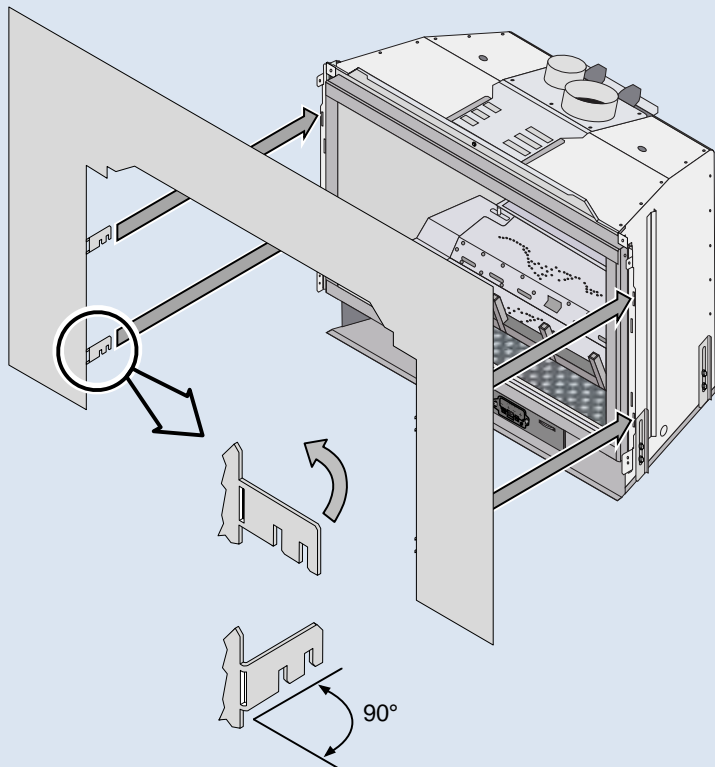
2. Bend the mounting tabs back 90° (see illustration below). Attach the surround panel as shown below.



Ember-Glo Only - Panel Installation

Before installation, the inbuilt should be in place with the gas line and vent attached. Pull the inbuilt out slightly to assist in the installation.

1. Bend all (4) mounting tabs back 90° (see illustration below). Attach the surround panel as shown below.



Glass Frame Removal and Installation



A barrier designed to reduce the risk of burns from the hot viewing glass is provided with this appliance and shall be installed for the protection of children and other at-risk individuals.



If the barrier becomes damaged, the barrier shall be replaced with the manufacturer's barrier for this appliance.

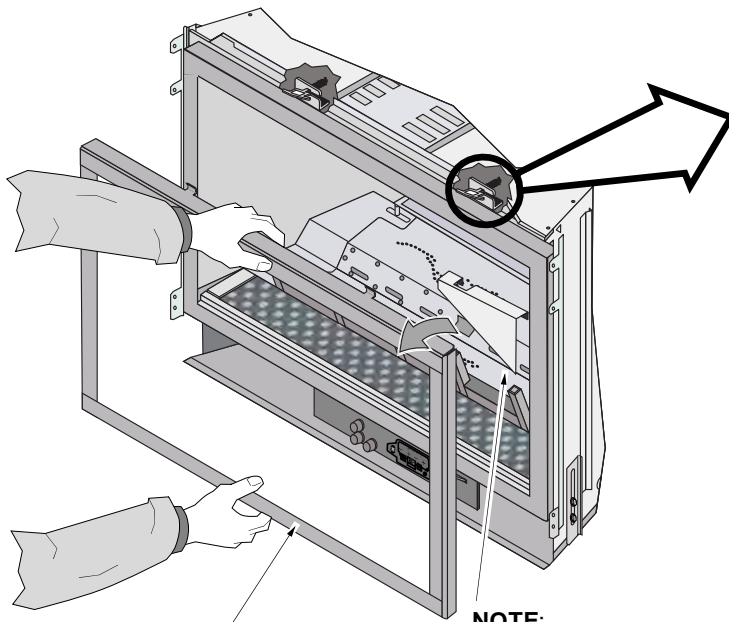
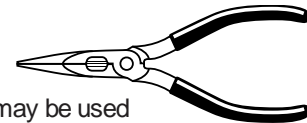


The appliance must be completely cool before removing the glass.
Do not strike or slam the glass.



Open the latches holding the glass frame in place (start with the bottom) - follow the directions shown to the right.

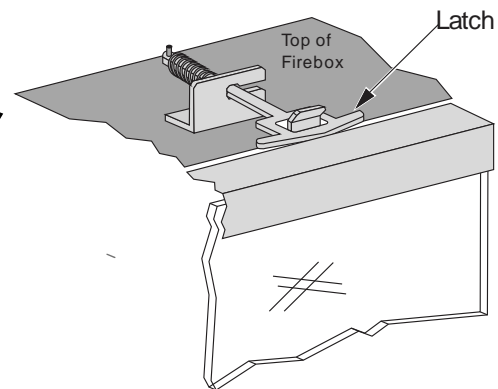
Pliers may be used



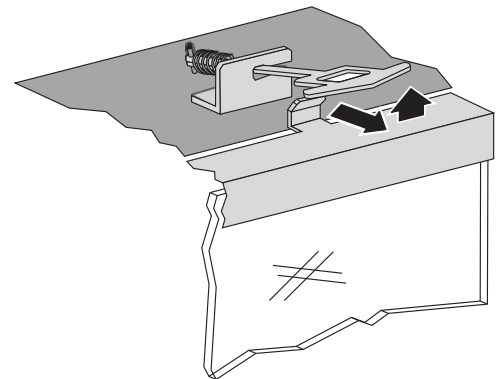
Glass Frame

NOTE:

Replace the cove covers for those faces using them.



Top of Firebox
Latch

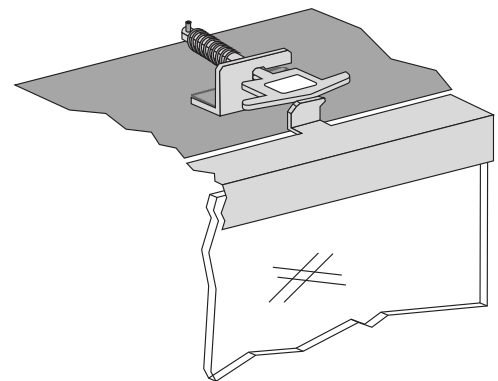


Lift the glass frame up and pull it forward to remove. **NOTE:** You may need to lift the glass frame while re-attaching

Re-Attaching the Glass Frame:

- a) Hang the glass frame on the firebox.
- b) While holding in place, attach the upper latches (follow the instructions to the right, in reverse).
- c) Lift the glass frame slightly and attach the lower latches.

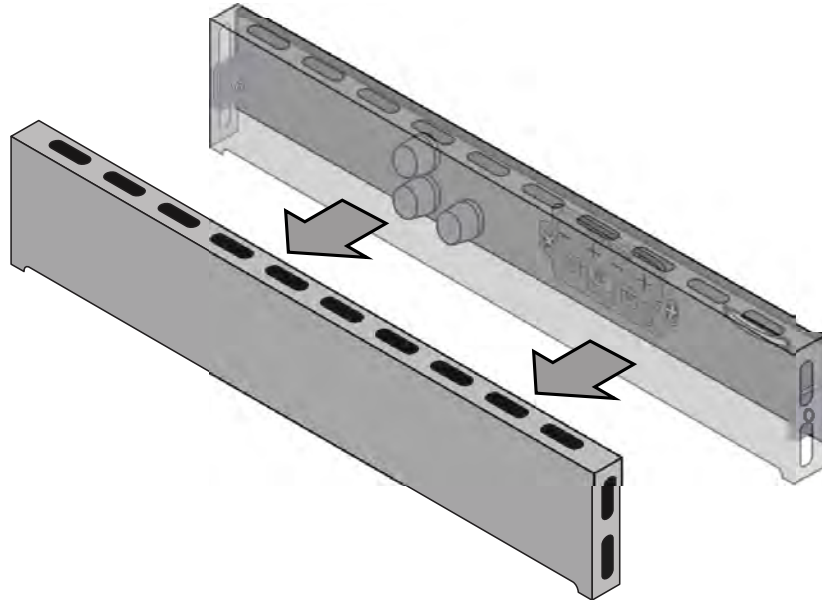
NOTE: Make sure the glass frame is all the way in place - it should be parallel with the front of the fireplace when installed.



Visual Deflector Removal

A visual deflector is included with the inbuilt to help ensure that the controls and valve area are not visible. The deflector is held in place by magnets on each end.

To remove, grab the deflector by both ends and pull toward yourself. Remove the deflector from the insert (see below).



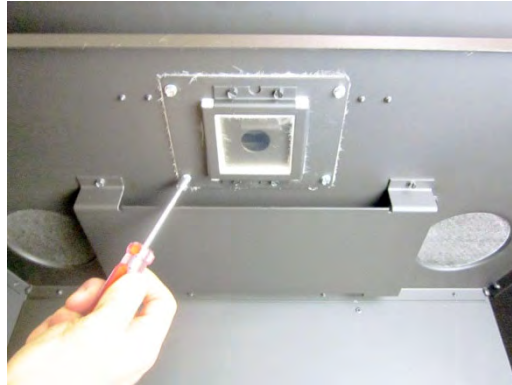
Steps for Finalizing the Installation

1. Remove the glass (see page 25).

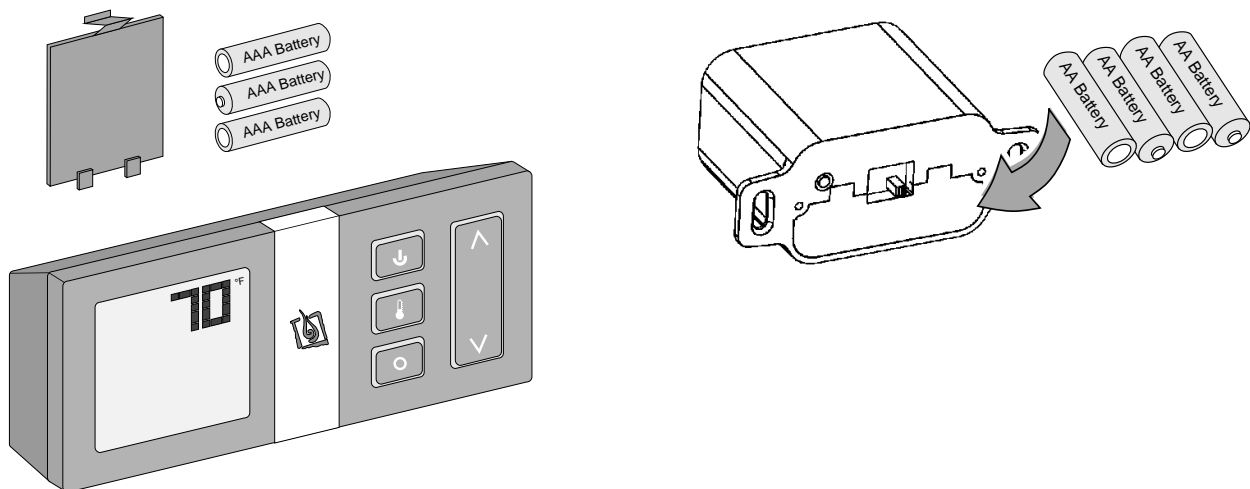
NOTE: If using propane (LP) convert the appliance prior to installing the logs.

2. We recommend you purge the gas line at this time (with the glass removed). This allows gas to be detected once it enters the firebox, ensuring gas does not build up.
3. Make sure the accent light bulbs are in place and work correctly.
NOTE: Take care to not touch the bulb with your fingers – use a cloth or paper towel).

Firebox Ceiling Accent Light



4. Install the four AA batteries (see illustration below). The AA batteries act as a power backup in case the household (AC) power goes out and are required for operation. Install three AAA batteries into the remote (see illustration below). Synchronize the transmitter to the IFC (see page 31).

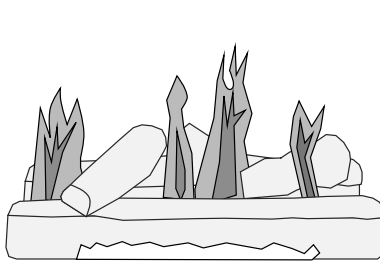


5. Install the burner and media (and firebacks if applicable).
6. Replace the glass.
7. Start the heater.
8. Leak test all gas joints.

9. Check the air shutter following the directions below.

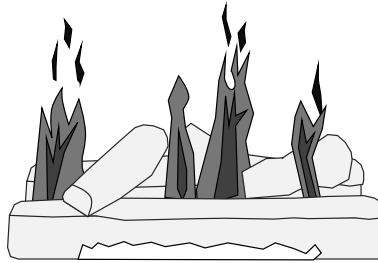
Air Shutter Adjustment

Let the heater burn for fifteen minutes (make sure the logs and glass are in place). The flames should be yellow with no sooting. Adjust the air shutter, if necessary, to achieve the correct looking flame.



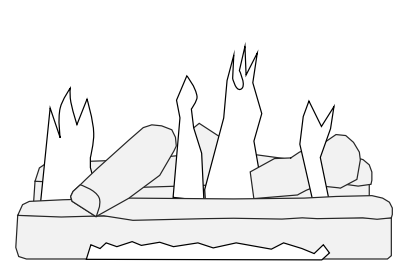
Correct

Flames should be blue at the base, yellow-orange on the top.



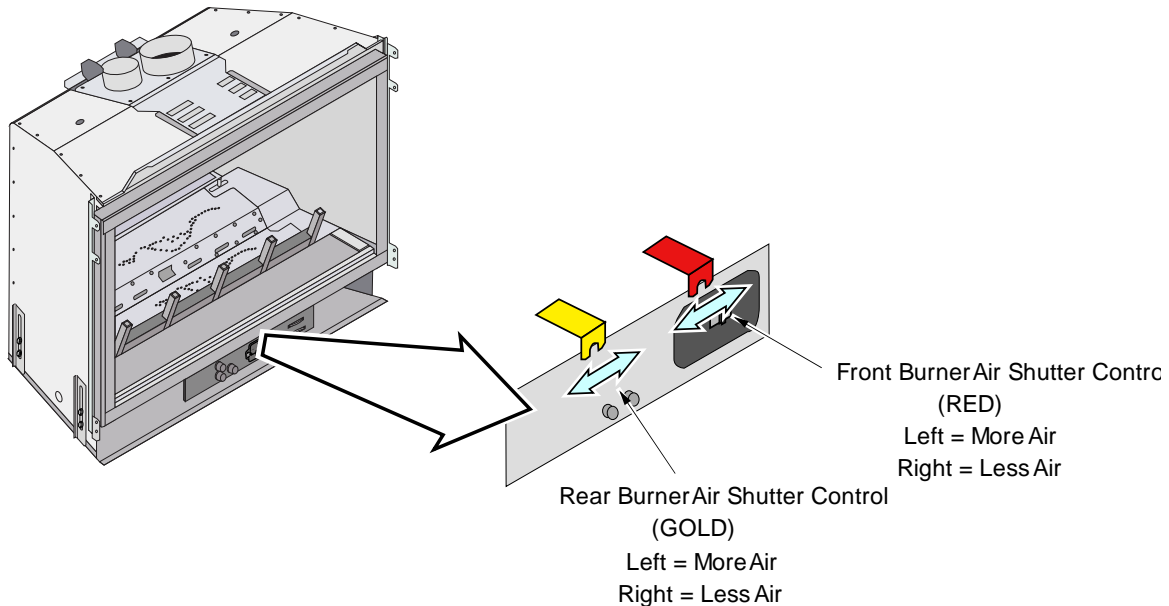
Not Enough Air

If the flames are too tall or sooty on the ends, open the air shutter.



Too Much Air

If the flames are all blue and short, close the air shutter.

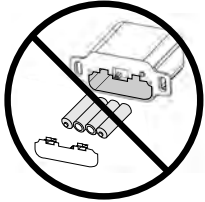


10. Attach the face following the directions included with the face.
11. Adjust the flame to its highest position - the flames should not contact the top of the firebox. Check the flame on low position. The flames should burn off of each burner hole. If the heater does not work correctly, contact your Travis dealer for a remedy.
12. Give this manual to the homeowner for future reference and fully explain operation of this heater.

Before You Begin

- Read this entire manual before you use your new heater (especially the section "Safety Precautions" on pages 4 & 5). Failure to follow the instructions may result in property damage, bodily injury, or even death.

Remote Control Warnings



KEEP BATTERIES AND COVER INSTALLED AT ALL TIMES

The remote control system requires the batteries and battery cover to remain in place at all times. If you need to replace dead batteries, make sure to **turn the appliance off** before removing the batteries.

NOTE: If the batteries go dead, the system will operate normally as long as household power (240VAC) is present.



The transmitter and IFC are radio frequency devices. Placing the transmitter in or near metal may severely reduce the signal range.



Turn off the main gas supply to the appliance during installation or maintenance. In case of remote control, malfunction turn off the main gas supply to the appliance.

PROGRAMMING THE REMOTE

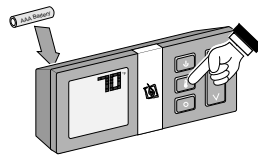
The SIT GSR2 remote may be programmed to disable the thermostat or any of the modes (flame height, blower, light, comfort control, Standing Pilot *, or auxiliary power input). This allows you to tailor the remote to the appliance.

* We do not recommend disabling the standing pilot option for our gas appliances. This feature may be recommended for cold regions or installations with sub-optimal venting.

How to Disable/Enable the Thermostat

The remote is shipped with the thermostat enabled.

- 1 Remove one battery from the remote.
- 2 Press and hold the thermostat button while replacing the battery. This will toggle the thermostat function. Repeat this process to toggle the thermostat function to the desired setting.



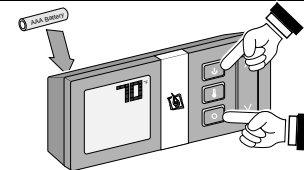
"SET" = thermostat function enabled.

"CLR" = thermostat function disabled.

How to Disable/Enable Modes (Light, Blower, etc.)

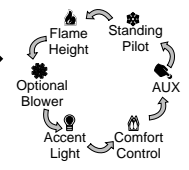
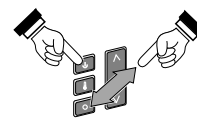
The remote is shipped with all modes enabled (except AUXiliary).

- 1 Remove one battery from the remote.
- 2 Press and hold the on/off button and mode button while replacing the battery.



Keep the on/off button depressed during the following steps.

- 3 While keeping the on/off button depressed, press and release the mode button until the mode that needs to be changed is illuminated.
- 4 With the desired mode illuminated (see illustration to the right), press the "up" or "down" button to activate or clear the mode being addressed. Make sure to keep the on/off button depressed during this process.
- 5 Release the on/off button to complete programming.

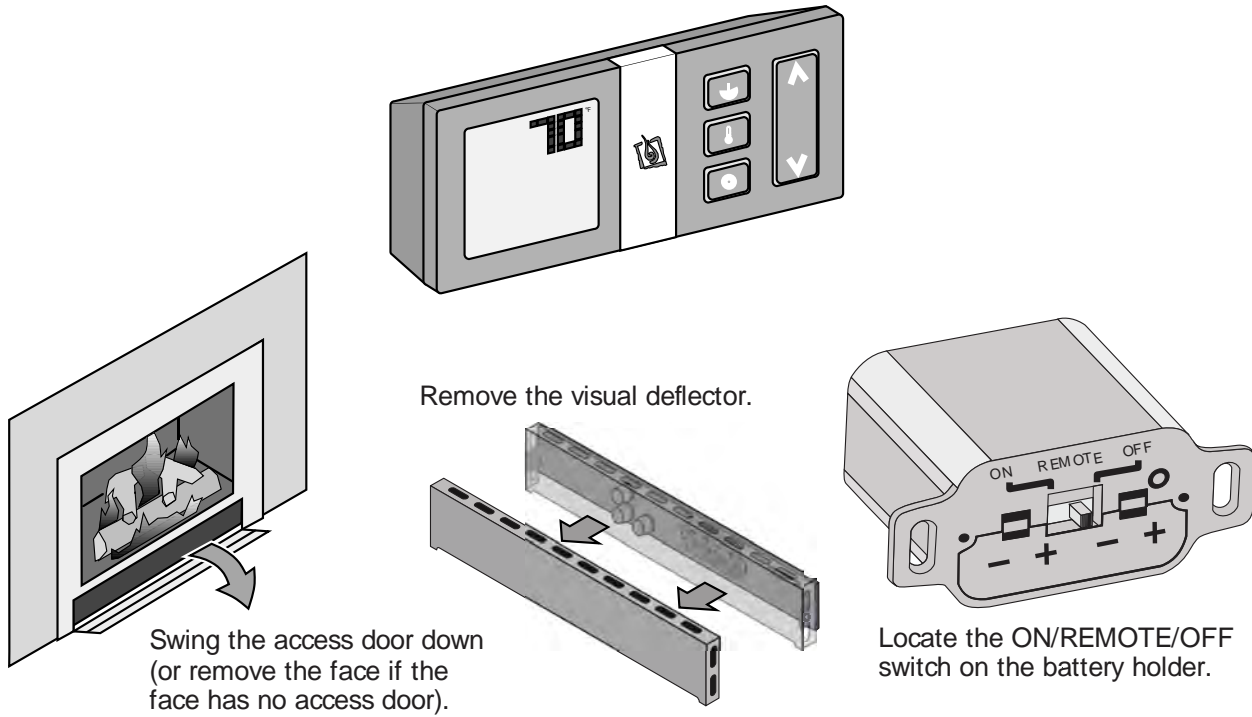


"SET" = selected mode enabled.

"CLR" = selected mode disabled.

Location of Controls

Most features will be controlled by the included remote.



Remote Set-Up

Verify the Switch is on “REMOTE”

The battery holder has a switch built into it (see **Figure 1**). This switch must remain in the REMOTE position for the remote to operate.

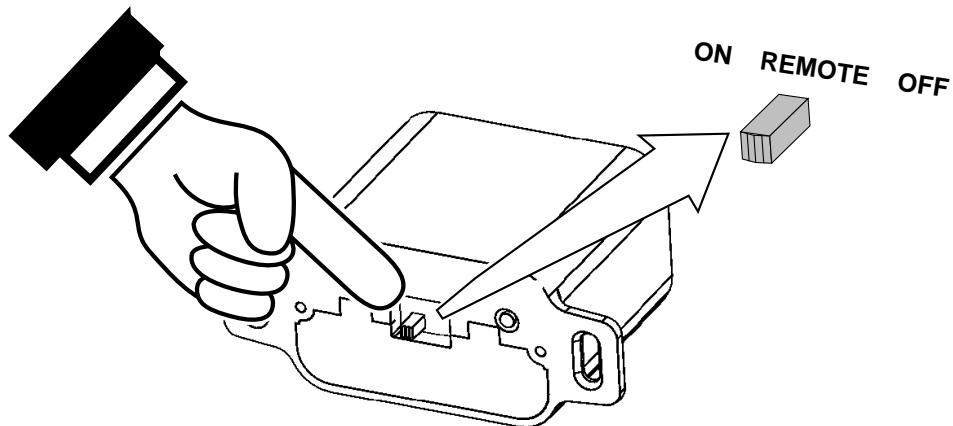


Figure 1

Synchronize the Transmitter to the IFC

The transmitter will need to be synchronized to the IFC (Integrated Fireplace Control) before the remote will work correctly. Synchronizing is done in the following two steps below (see **Figure 2**):

13. Press the PRG (Program) button on the battery box (IFC will beep 3 times).
14. Press the "ON" button on the transmitter (IFC will beep 3 times).

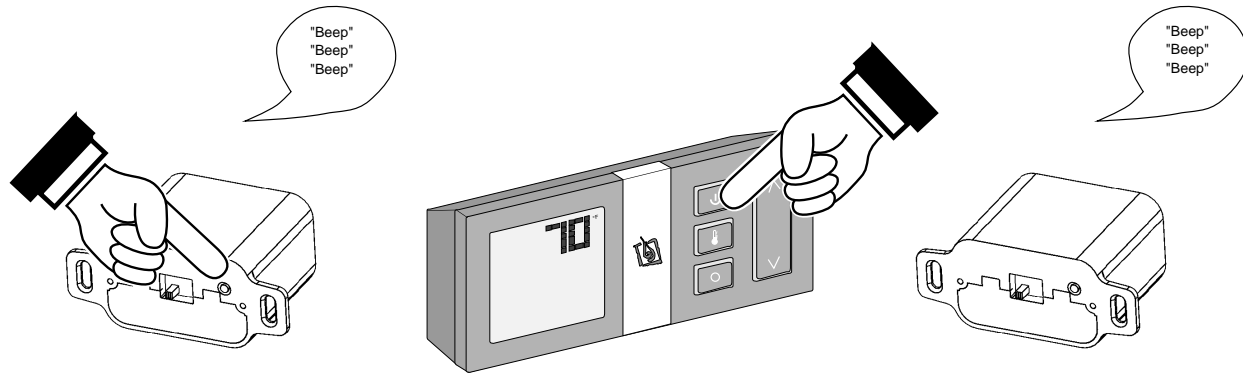


Figure 2

NOTE: If power is cut off to the IFC for an extended period of time, you may need to re-synchronize the remote.

Clearing the System Memory

This appliance uses an Integrated Fireplace Control (IFC) to store the unique code for the remote control. If you wish to clear the system memory, **MAKE SURE GAS IS TURNED OFF TO THE APPLIANCE** then press the PRG (Program) button for 10 seconds. The pilot will start to spark repeatedly, signifying all system memory has been cleared. The system will return to its original configuration: a remote will need to be synchronized; and, the system will operate under continuous pilot mode.

Direct Operation

The fireplace may be directly operated from the battery holder. The three positions are below (see **Figure 3**):

ON – Burner turns on (regardless of transmitter settings).

OFF – Burner turns off (regardless of transmitter settings).

REMOTE – Burner is controlled by the transmitter.

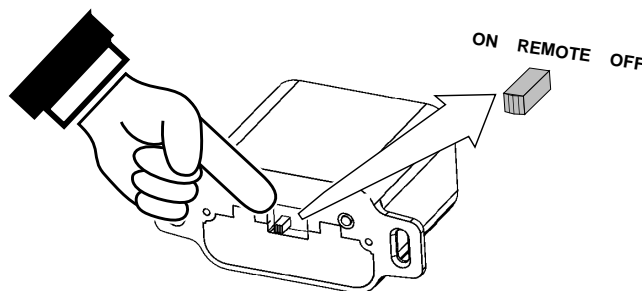


Figure 3

NOTE: When the battery holder switch is turned to ON or OFF, the mode settings (Flame Height, Comfort Control) will remain in the same state as before the switch was moved (i.e.: the IFC "remembers" the last setting). If you wish to adjust the mode settings use the transmitter mode button to adjust the settings (see "Mode Controls" on page 36). The thermostat and burner on/off operating functions will not work on the transmitter.

Starting the Fireplace for the First Time

- Burn the heater at a high setting with the blower off for an extended period (up to 48 hours). This will cure the painted surfaces. **Fumes** from the paint curing and oil burning off the steel will occur. This is normal. We recommend opening a window to vent the room.
- **Condensation** may appear on the glass each time you start the fireplace - this is normal.
- **Blue Flames** will occur on the fireplace when it first comes on. After fifteen minutes the flames will turn a more realistic yellow and orange color.
- Certain installations use a remote, thermostat, or wall switch to turn the fireplace on and off. If this is the case, leave the ON/OFF switch "ON".
- Verify the power backup batteries are installed (see page 38).

Intermittent/Continuous Pilot

This heater may run with the pilot continuously running or in intermittent mode. For most homeowners, the intermittent mode is preferred (this saves fuel, doesn't give off un-needed heat). However, in some situations, the homeowner may prefer to switch the heater to continuous pilot. The most typical reasons for switching to continuous pilot are:

- **Very Cold Conditions** – in very cold conditions you may notice that the burner does not light quickly, and the flames lift off the burner. If this is the situation, we recommend you switch to continuous pilot. This will create a slight draft in the vent, allowing for the burner to light quickly and draft correctly.
- **Excessive Condensation on Glass After Startup** – certain installations may encounter excessive fogging on the window after startup (not just the first time the heater was started). This is an aesthetic condition that may be remedied by switching the heater to continuous pilot.
- **Cold Glass or Heater Front** – in very cold conditions you may notice that the heater front and glass become very cold. To remedy this, switch the heater to continuous pilot.
- **Frequent On / Off Operation** – if you are frequently turning the heater on and off, you may wish to leave it in continuous pilot. This allows the burner to turn on more quickly, without pilot ignition delay.

Switching from Intermittent (IPI) to Continuous Pilot (CPI)

The pilot mode on this appliance is adjusted using the remote. With the remote in the off position (thermostat off, manual off), follow the directions below to adjust the pilot mode.

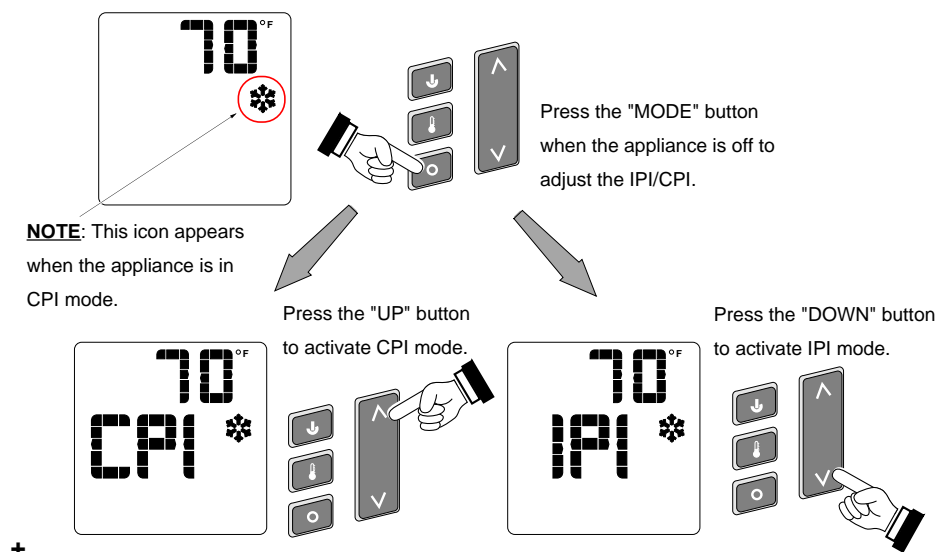
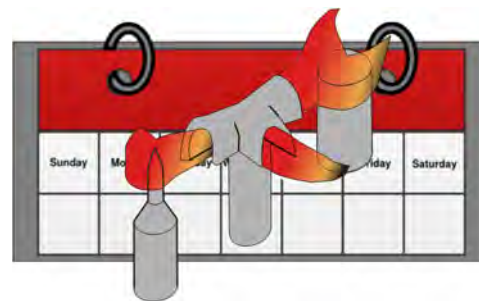


Figure 4

Pilot Fuel Conservation Timer

7 Day Pilot Shutoff Timer (applies to units in CPI mode only)

This appliance may be equipped with a 7-day pilot shutoff timer. This timer helps conserve fuel and save money by turning the pilot off when the appliance is not used for 7 days (this timer is mandated in certain areas for conservation purposes). This applies only when the unit is in CPI (Continuous Pilot Ignition) mode. If the unit is in IPI (Intermittent Pilot Ignition) mode, the timer does not apply.



When in CPI mode the pilot will remain lit as long as the burner is engaged within a 7-day window. Each time the burner is turned on the 7-day timer resets. If the burner is not engaged within the 7-day window, the pilot will automatically revert to IPI mode and turn off to conserve fuel.

To switch back to CPI, simply:

GSB2 Units: toggle the IPI/CPI switch to IPI, then back to CPI.

GSR2 Units: use the remote to toggle from IPI mode, then back to CPI mode.

To prevent the need to reset the pilot mode during the heating season, we have listed a few strategies below:

Option 1: Remember to periodically turn on the heater during the heating season

If you use your heater for supplemental heat, this may be the best solution. Set a specific time, once or twice per week (e.g. 5 pm on Tuesday & Friday) to turn the heater on for a few minutes. This will reset the timer and prevent the need to restart the pilot.

Option 2: Use a thermostat

GSR Units: Use the thermostat included with the appliance

GSB Units: Consult your dealer for thermostats compatible with your appliance.

The use of a thermostat will keep the room at a constant temperature and will, in most cases, keep the heater working throughout the heating season. Light the pilot at the beginning of the heating season and set the thermostat to the desired room temperature. As long as the outside temperature does not rise excessively, for seven days or more, the pilot will continue to operate.

Option 3: Use a programmable thermostat (GSB2 Only)

A programmable thermostat may be set to turn on, once per week, to a high temperature for a short time. This will reset the 7-day timer and allow the heater to operate without having to restart the pilot.

Remote Operation

When the switch on the battery holder is set to “REMOTE” the transmitter operates the fireplace. Once you understand how the transmitter works, you will be able to operate your fireplace quickly and easily.

Display Overview

The transmitter display has four main sections (see **Figure 5**).

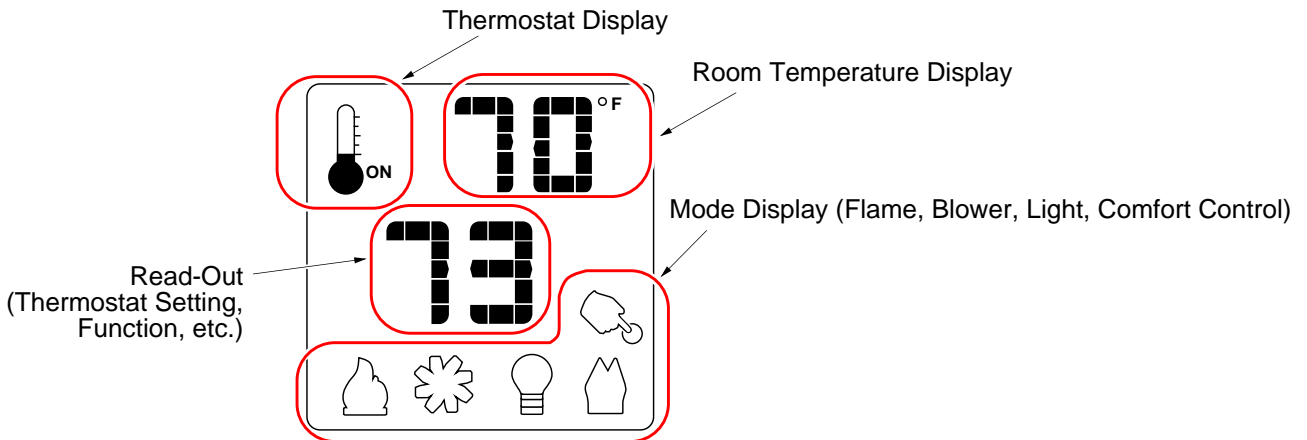


Figure 5

Listen for the “Beep”

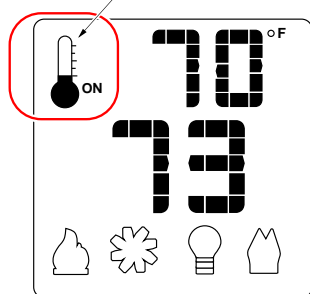
Each time you press a button on the transmitter that controls the fireplace, a “beep” will come from the IFC. When you change thermostat target settings the IFC will not beep.

NOTE: When the batteries start to get low, the IFC will beep intermittently. When the batteries are nearly depleted, the IFC will no longer beep. See “IFC Batteries” on page 38).

Manual On-Off / Smart Thermostat / Standard Thermostat

Use the thermostat button to cycle through the three thermostat settings (see Figure 6).

Look here for the thermostat setting.



Press the thermostat button to cycle through the thermostat settings.

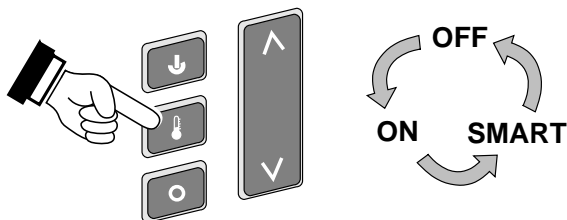


Figure 6

- MANUAL ON/OFF** – The burner will turn on and off using the remote (see Figure 7). Press the On/Off button to control the burner. When off, the display will only show the current temperature.

When in manual setting, the word "OFF" will appear here.

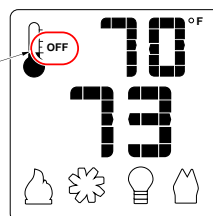
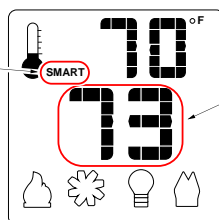


Figure 7

- SMART THERMOSTAT** – While in smart thermostat, the transmitter will control the burner to achieve the target temperature (see Figure 8 below). Flame height will be adjusted up or down to allow operation without turning the burner on and off (also called “smart modulation”). To adjust the target temperature, press the UP and DOWN buttons until a suitable temperature is achieved.

When in smart thermostat setting, the word "SMART" will appear here.



This is the target temperature on the read-out. Use the up or down buttons to adjust the target temperature.

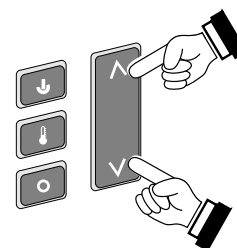
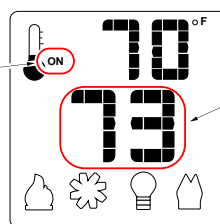


Figure 8

- STANDARD THERMOSTAT** - While in standard thermostat setting, the transmitter will turn the burner on and off to achieve the target temperature (see Figure 9 below). To adjust the target temperature, press the up and down buttons until a suitable temperature is achieved.

When in standard thermostat setting, the word "ON" will appear here.



This is the target temperature on the read-out. Use the up or down buttons to adjust the target temperature.

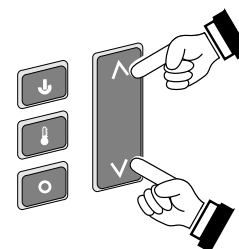


Figure 9

NOTE: If the transmitter batteries go dead while in thermostat setting (standard or smart), the appliance will shut off after approximately 24 hours.

Mode Controls (Flame, Blower, Light, Comfort Control)

Use the mode button to cycle through the five mode controls (see Figure 10 below).

Press the mode button to cycle through the mode settings.

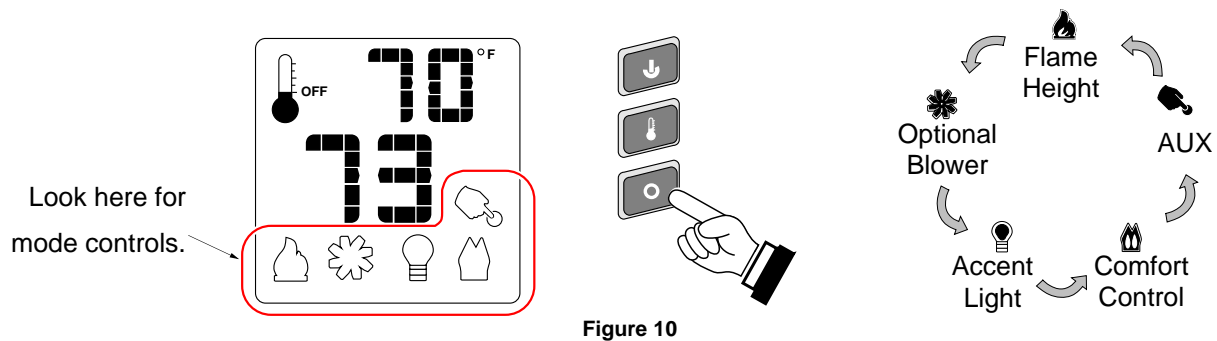


Figure 10

Flame Height

Flame height may be controlled using the UP and DOWN buttons when in Flame Height Mode (see Figure 11 below). The center display will display the 7 settings, from “OFF” to “HI” for full-on.

NOTE: Flame height may not be adjusted if operating in Smart Thermostat setting.

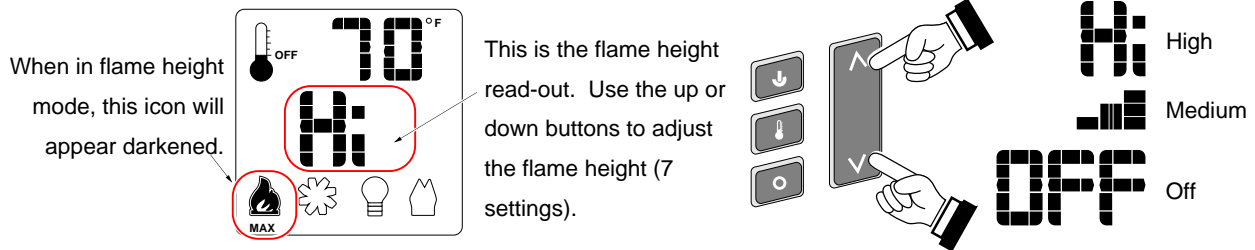


Figure 11

Blower Speed

The blower may be controlled using the up and down buttons when in Blower Speed Mode (see Figure 12). The center display will display the 7 settings, from “OFF” to “HI” for full-on.

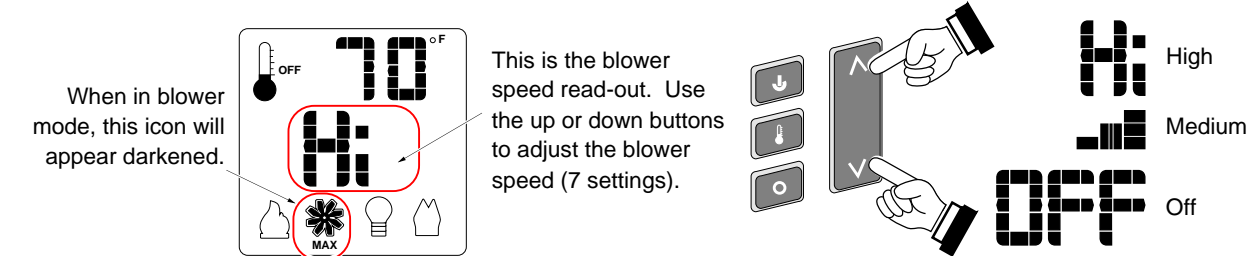



Figure 12

MANUAL MODE – BLOWER OPERATION

When in Manual Mode the blower will remain on, even if the burner is turned off and the heater cools. Either manually turn the blower off, or turn off the heater by pressing the On/Off button. 

Mode Controls - continued

Accent Light

The Accent Light (night light) inside the heater may be turned on and off using the up and down buttons when in Accent Light Mode (see Figure 13). The center display will display the 7 settings, from “OFF” to “HI” for full-on.

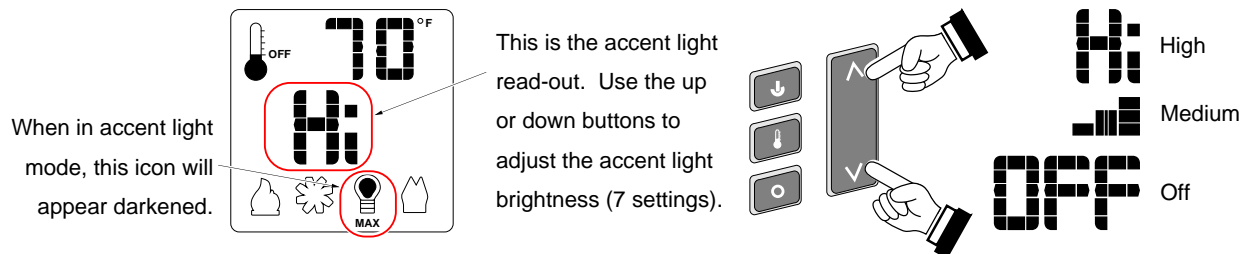


Figure 13

HINT: If you wish to leave the accent light on while turning the burner off, adjust the Flame Height to “OFF” (see above).

Comfort Control (rear burner)

The comfort control (rear burner) may be turned on and off using the up and down buttons when in Comfort Control Mode (see Figure 14). The center display will display either “ON” or “OFF”.

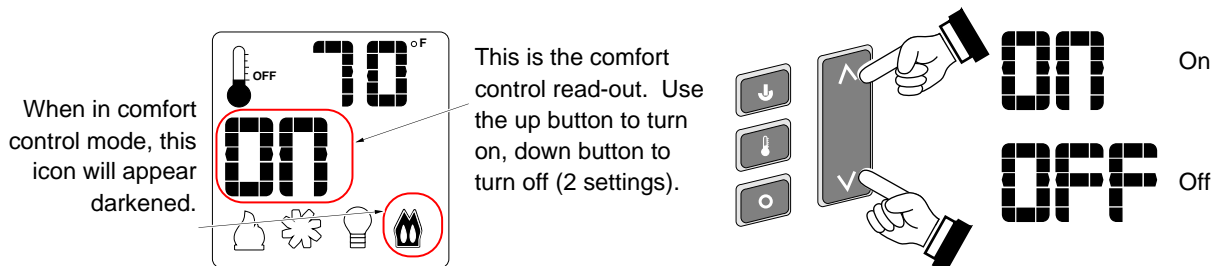
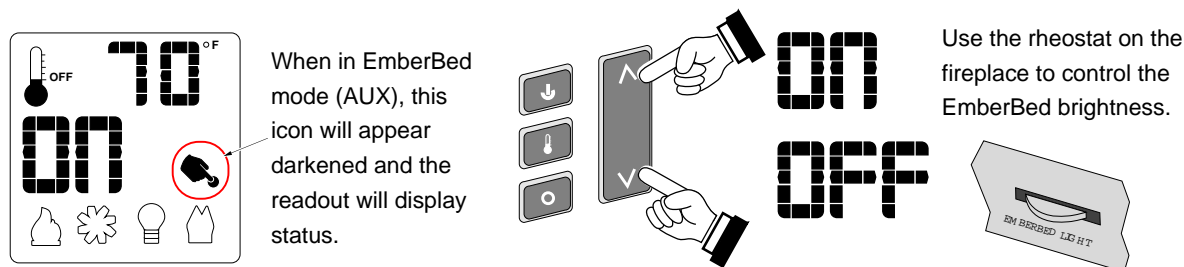


Figure 14

Ember-Glo Light (AUX)

The Ember-Glo light may be turned on and off using the up and down buttons (see illustration below). You can adjust the brightness of the light using the built-in rheostat.



Display Fahrenheit or Celsius

- With the system in the "OFF" position, press both the MODE and THERMOSTAT buttons simultaneously to toggle between Fahrenheit (F) and Celsius (C).

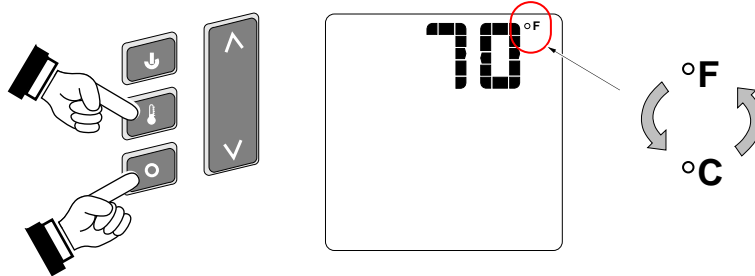


Figure 15

Low Battery Indicator

Transmitter Batteries

The transmitter has a battery-level indicator. When it indicates low battery voltage (see Figure 16 below), install three new AAA alkaline batteries into the transmitter (see "Transmitter Battery Installation" on page 38).

Low Battery Indicator

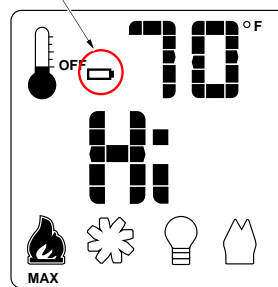


Figure 16

IFC Batteries

The IFC (Integrated Fireplace Control) will "beep" repeatedly when the batteries get low. Install four new AA alkaline batteries into the battery box when this occurs (see "Battery Installation" on page 38). In applications where the appliance is required to provide heat, we recommend replacing the batteries before each heating season.

Battery Replacement

Battery Installation

Install four AA batteries into the battery holder (see Figure 17 below). These batteries act as a power backup in case the household (AC) current goes out.

Transmitter Battery Installation

Install the three included AAA batteries into the remote.

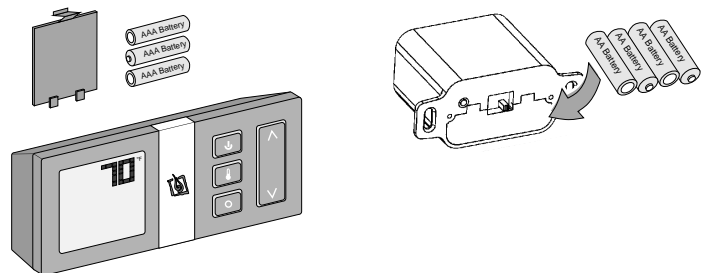


Figure 17

Power Outages

The remote will work if household current (AC power) is disconnected. The batteries inside the battery box will continue to power the heater but the accent light and blower will not operate.

Child-Proof Feature

The childproof feature disables the control buttons, preventing un-wanted use of the remote.

- Press both the MODE and UP buttons simultaneously to turn this feature on and off (see Figure 18 below).

HINT: This feature is especially useful while using the thermostat setting.

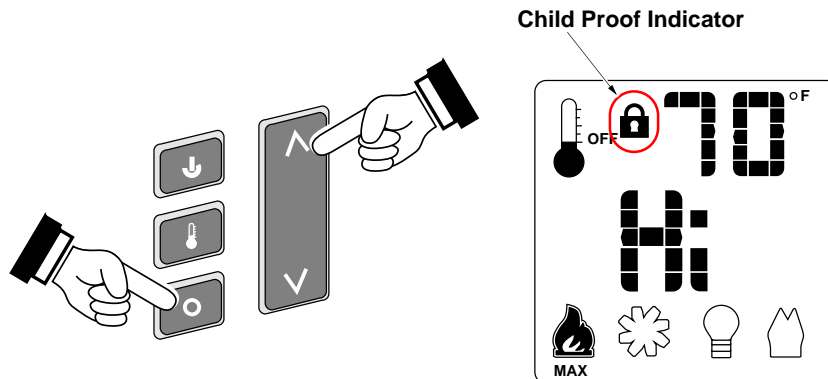
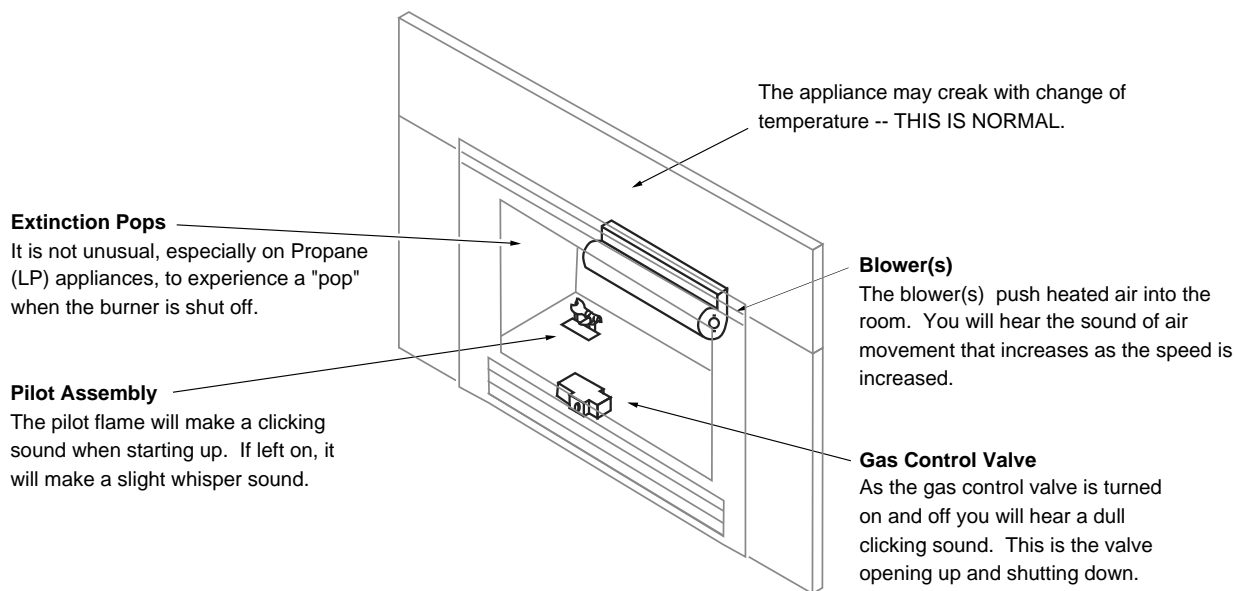


Figure 18

Normal Operating Sounds



Normal Operating Odors

This appliance has several areas that reach high temperatures. Dust or other particles on these areas may burn and create an odor. This is normal during start-up. You may notice the smell is more acute if the appliance was left idle for a long period.

DANGER HIGH VOLTAGE: Disconnect power before attempting maintenance or repair.

Maintaining Your Heater's Appearance

Fingerprints or other marks left on the optional plated surface may become etched in place if they are not wiped clean prior to turning the heater on. Clean the plated surfaces with denatured alcohol and a soft cloth (with the heater cool). Other cleaners may leave a film that may become etched into the surface.

Accent Light Replacement

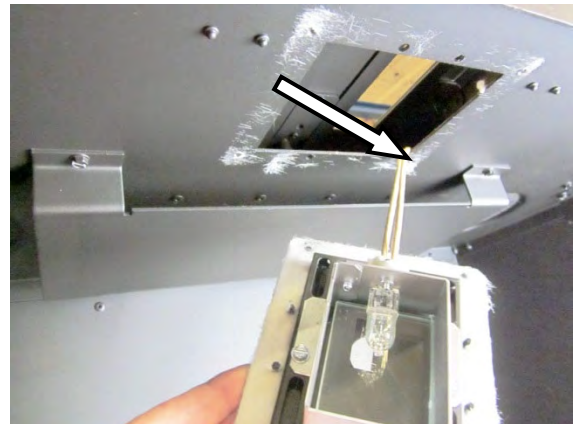
The upper accent light can be accessed by removing the 4 screws with a ¼" nut driver, as shown below.



The upper accent light assembly drops down to expose the accent light.



When replacing the assembly, carefully inbuilt the wiring into this cavity to ensure the wiring is not pinched.

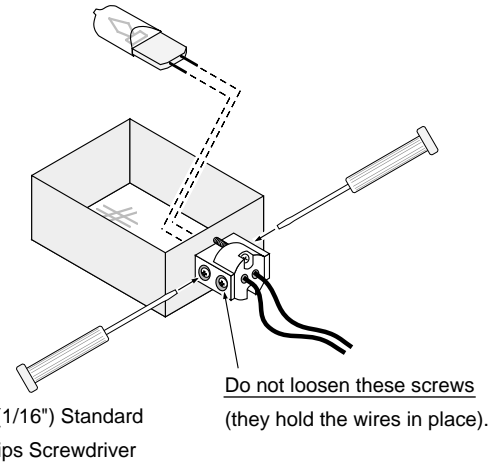
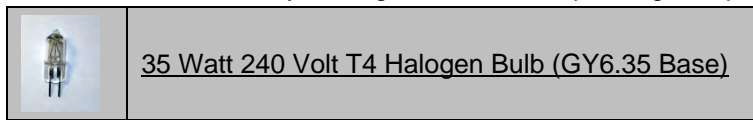


Loosen the two screws nearest the bulb to disengage the bulb from the holder. Remove the bulb from the holder. Replace the bulb, making sure not to touch the bulb with your fingers (grasp the bulb with the bulb packaging or a paper towel). Tighten the screws until the bulb is secure (do not over-tighten, this may damage the electrical contacts on the bulb).

The accent light in your heater provides additional lighting. The bulbs will burn out over time. To replace, follow the directions below:

- Shut off gas to the heater and let it cool for 15 minutes.
- Remove the glass (see page 25) and media.
- Replace the halogen bulbs with the following bulbs:

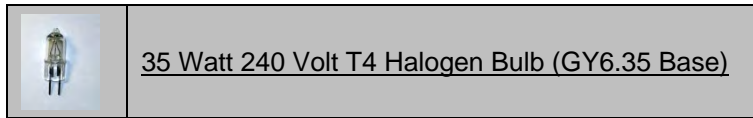
NOTE: Take care to not touch the bulbs with your fingers – use foam packing or a paper towel to handle the bulbs:



Ember-Glo Bulb Replacement

The Ember-Glo lights in your inbuilt provide additional lighting and a more realistic fire appearance. The bulbs will burn out over time. Replace the halogen bulbs with the following bulbs:

NOTE: Take care to not touch the bulbs with your fingers – use foam packing or a paper towel to handle the bulbs:



To replace, follow the directions below:

1. Shut off gas to the inbuilt and let it cool for 15 minutes.
2. Remove the glass assembly (see page 25).
3. Remove Ember Glass, Ember Nuggets from the media tray.

HINT: It is easier to remove the media tray if you first remove the (4) logs indicated below.



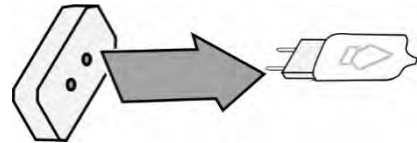
4. Lift the media tray skirt upward and remove it from the firebox.



- Remove the (2) media tray attachment screws and lift the media tray up and out of the firebox.

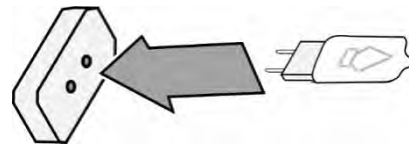


- Locate the burned-out bulb and remove it from the socket by pulling the bulb directly away from socket (do not twist).



- Gently insert the pins on the replacement bulb into the holes on the socket.

(NOTE: Take care to not touch the replacement bulbs with your fingers – use foam packing or paper towel to hold the bulb)



- Return the fireplace to its correct configuration.

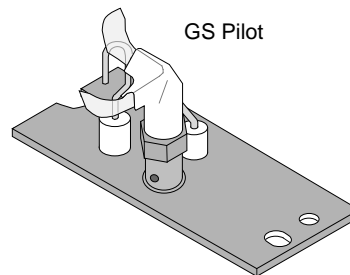
Yearly Service Procedure

WARNING: Failure to inspect and maintain the stove may lead to improper combustion and a potentially dangerous situation.

WARNING: Do not modify this appliance

WARNING: Servicing shall be carried out only by authorized personnel.

- Shut off gas to the fireplace and let it cool for 15 minutes. Remove the glass. Inspect and operate the pressure relief mechanism to verify relief mechanisms are free from obstruction to operate.
- Clean glass window with a suitable fireplace glass cleaner. Abrasive cleaners must not be used. Be careful not to scratch the glass when cleaning.
- Vacuum and clean any debris in the firebox.
- Check all accessible gas-carrying tubes, connections, pipes, and other components for leaks.
- Inspect the burner and firebox. Make sure the burner is not warped, cracked, or damaged. Check the firebox and area around the pilot to make sure there is no damage. Inspect primary air openings for blockage. If any problem is found, discontinue use and contact your dealer for service.
- Inspect the area behind the access door; clean if necessary. Check the gas control valve and the gas lines. If damage is found, discontinue use and contact your dealer for service. Clean the air channels, ducts, and blower (if applicable)
- Inspect vent and vent termination for sooting, obstructions, or damage. Make repairs as needed. Remove any debris or vegetation near the vent termination. Contact your dealer if any sooting or deterioration is found near the vent termination.
- Reinstall the glass assembly. If the glass is damaged, replace it. Make sure the gasket along the perimeter of the glass contacts the face of the firebox and forms an air-tight seal. If it does not, re-align or replace the gasket to ensure an air-tight seal.
- Turn the pilot flame on (continuous pilot). It should touch approximately 3/8" of the top of the flame sensor (see below). If it does not, contact your dealer.

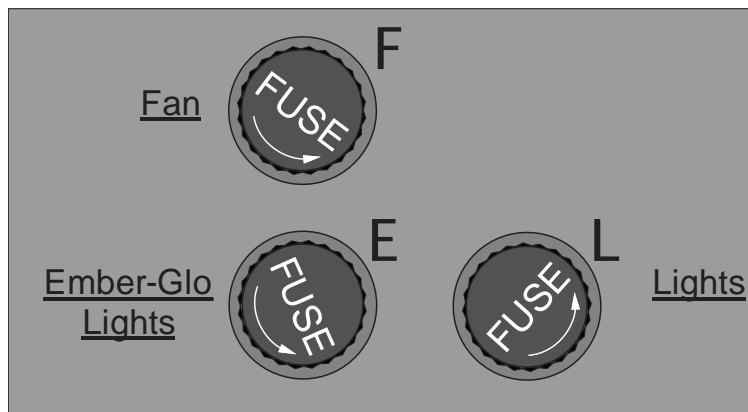


- Start the main burner. Inspect and ensure the lighting of the main burner occurs within 4 seconds of the main gas valve opening.
- Test the flame failure response time of the flame safety system. It must de-energize the safety shutoff in no more than 30 seconds.
- After 15 minutes the flames should be orange/yellow and not touch the top of the firebox. If the pilot or main burners do not burn correctly, contact your dealer for service. Monitor blower operation

Troubleshooting Table

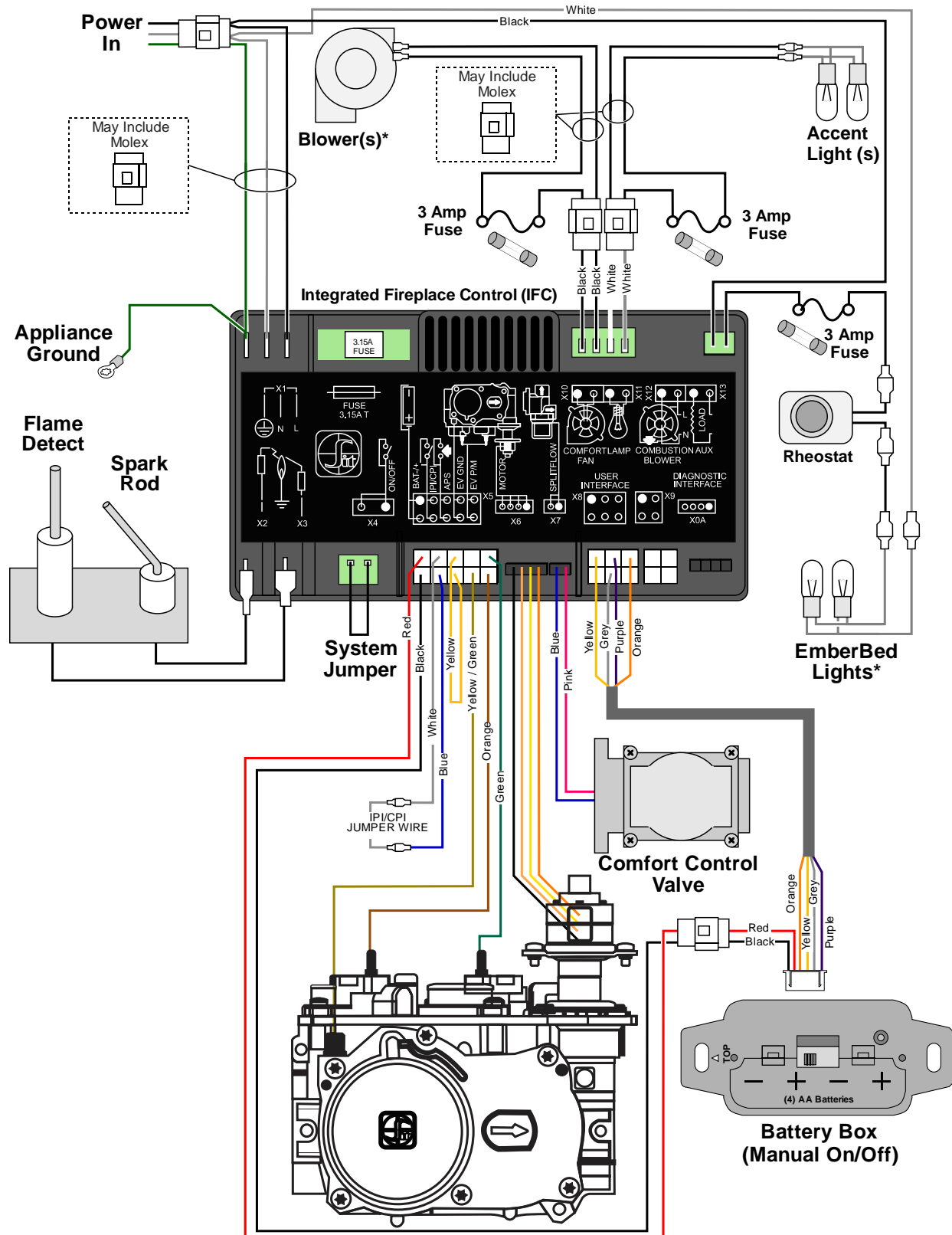
Problem:	Possible Cause:	Don't Call for Service Until You:
Main Burners Will Not Start	The battery box switch is turned to "OFF" The remote control is not working correctly..... The thermostat is disconnected or set too low..... No Propane in Tank.....	Use the switch on the battery box See the remote control instructions See "Thermostat Operation" Check Tank Level
Flashing RED LED on Control Module	The power backup batteries are dead (LED will flash once repeatedly)..... The heater encountered an error when trying to start (LED will flash 3 times repeatedly) The heater encountered a pilot error (LED will flash 2 times repeatedly)	Replace the batteries (see page 38) Make sure gas is turned on. Turn heater off for 5 seconds (make sure standing pilot is off) – then turn back on. Contact your dealer if this occurs.
Thermostat Does Not Work	The battery box switch is turned to "OFF" or "ON". The thermostat is set too low.....	Turn the battery box switch to "REMOTE" Check thermostat
Blower Does Not Work	The fireplace is not getting electricity..... The fireplace is not up to temperature The blower fuse may be blown.....	Check the breaker switch Let the fireplace burn for 12 minutes Replace the fuse. See fuse location below.
Flames Are Too Blue	The fireplace has just been started..... Improper air shutter adjustment.....	This is normal – see "Starting the Fireplace for the First Time" Adjust Air Shutter – contact your dealer
Flames Are Too Short (Under 6")	The flame height may be turned too low.....	Turn the flame height to "HI" - See "Adjusting the Flame Height"
Thin Layer of Soot Covers the Glass	The logs or coals are placed incorrectly..... Improper air shutter adjustment.....	See "Log Set Installation" Adjust Air Shutter – contact your dealer
Accent Light Does Not Work	The bulb may be burned out. The accent light fuse may be blown.....	See "Accent Light Replacement" on page 40 Replace the fuse. See fuse location below.

Location of fuses (3 amp):



Wiring Diagram

Caution: Label all wires prior to disconnection when servicing controls. Wiring errors can cause improper and dangerous operation. Verify proper operation after servicing.



Replacement Parts

Caution: Use only Travis Industries replacement parts. Do not use substitute materials.

Warning: Do not operate appliance with the glass front removed, cracked, or broken. Replacement of the glass should be done by a licensed or qualified service person.

SCREEN BARRIER, ARCHED	250-03377
SCREEN BARRIER, RECTANGLE	250-03379
PILOT ASS'Y, 3-WAY PSE	250-02903
VALVE, NG w/STPR MTR	250-01612
STEPPER MOTOR, LP GS	250-01463
ORIFICE, BURNER - #56 LP	250-00406
ORIFICE, AIR MIXING - #C55	250-01280
ORIFICE, BURNER - #44	250-00410
ORIFICE, BURNER - #45	250-00400



Contact your local Travis Industries Dealer for Replacement Parts

Safety Label


The safety (listing) label is attached to the operating tag (chained to the heater near the gas control valve). A copy is shown below

DVL EG GSR2 Insert (Au)
Vented Gas Fireplace Heater

DO NOT REMOVE

Gas Mark
GNK10033



AUSTRALIA ONLY
GAS SAFETY CERTIFICATION

Tested to the combustion performance and construction requirements of AS/NZS 5263.1.3 Gas Space Heating Appliances. This appliance must be installed in accordance with all local codes.

This DVL EG GSR2 insert appliance is equipped from the factory only for use with Natural Gas and is only for use with the type of gas indicated on the rating plate. For conversion to LP (Propane) use a certified kit supplied by the manufacturer. See owner's manual for information on making these changes.

This appliance may be installed in an aftermarket, permanently located, manufactured (mobile) home where not prohibited by local codes.

This vented gas fireplace heater is not for use with air filters. This appliance must be properly connected to a venting system in accordance with the manufacturer's installation instructions. Use only approved co-linear direct vent systems to vent this appliance to the exterior. See owner's manual for approved brands of venting.

WARNING: Improper installation, adjustment, alteration, service or maintenance can cause injury or property damage. Refer to the owner's information manual provided with this appliance. For assistance or additional information consult a qualified installer, service agency or the gas supplier.

This appliance is a Vented Gas Fireplace Heater. Not for use with Solid Fuel.

Young children should be carefully supervised at all times when they are in the same room as the appliance.

Minimum Clearances to Combustibles

Side of insert to adjacent wall	102 mm	Base of insert to mantel	See owner's manual
Hearth extension in front	0 mm	Base of insert to top facing	See owner's manual
Hearth extension to sides of insert	0 mm	Flue vent	See owner's Manual

FAN TYPE VENTED CIRCULATOR

Blower Electrical Rating: 240V, 1.5 Amps, 60 Hz, 150 Watts

Input Rate on "HI" (MJ/h)	L.P.	N.G.	L.P.	N.G.
Input Rate on "LO" (MJ/h)	40.0	40.0	2.75	1.13
Orifice Size - Front (DMS)	20.0	28.3	3.24	1.74
Orifice Size - Rear (DMS)	#66	#45	2.62	.87
	#G55	#44		

Minimum Inlet Pressure (kPa) L.P. N.G.
Maximum Inlet Pressure (kPa) 2.75 1.13
Manifold Pressure on "HI" (kPa) 3.24 1.74
Manifold Pressure on "LO" (kPa) 2.62 .87


This appliance is equipped for installation 0-610 m. For altitudes above 600m, the vent configuration, orifice, or combination of both may need to be changed. See owner's manual for information on making these changes.

MANUFACTURE DATE:

<input type="checkbox"/> 2020	<input type="checkbox"/> Jan.	<input type="checkbox"/> Apr.	<input type="checkbox"/> Jul.	<input type="checkbox"/> Oct.
<input type="checkbox"/> 2021	<input type="checkbox"/> Feb.	<input type="checkbox"/> May	<input type="checkbox"/> Aug.	<input type="checkbox"/> Nov.
<input type="checkbox"/> 2022	<input type="checkbox"/> Mar.	<input type="checkbox"/> Jun.	<input type="checkbox"/> Sep.	<input type="checkbox"/> Dec.

www.lopi.com.au

Manufactured by:



TRAVIS INDUSTRIES
HOUSE OF FIRE
12521 Harbour Reach Drive
Mulleetoo, WA 38275

Certificate Holder:

Dragon Wholesaling Pty. Ltd.
Unit 4, 16 Lexington Drive
Bella Vista NSW 21153
Australia

XXXX

Register your **Dragon Wholesaling** Limited 7 Year Warranty online at lopi.com.au or complete the enclosed Warranty card and mail it within **ten (10)** days of the appliance purchase date to: Dragon Wholesaling Pty. Ltd. Unit 4, 16 Lexington Drive Bella Vista NSW 2153 Australia. **Dragon Wholesaling** warrants this gas appliance (appliance is defined as the equipment manufactured by Travis Industries, Inc.) to be defect-free in material and workmanship to the original purchaser from the date of purchase as follows:

**Check with your dealer in advance for any costs to you when arranging a warranty call.
Mileage or service charges are not covered by this warranty. This charge can vary from store to store.**

<u>Component</u>	Years 1 & 2 Parts & Labor	Years 3 Through 5 Parts & Labor	Years 6 & 7 Parts Only
<u>Burner Assembly</u> Burner Pan Assembly, Air Shutter Assembly, Main Burner Orifice	✓		
<u>Electrical Assembly (within heater structure):</u> Wiring harness, snap discs, rheostat speed control, blowers, etc.	✓		
<u>Gas Control Assembly</u> Adjustable control valve, fireplace controller, pilot assembly, and pilot wiring	✓		
<u>Glass</u> Glass (breakage from thermal shock)	✓		
<u>Media</u> Log Set, Embers, Stones, Crushed Glass	✓		
<u>Gold, Nickel & Copper Plating</u> Face & Door (see "Conditions and Exclusions" # 9)	✓		
<u>Accessories</u> Firebacks, Power Heat Ducts, Andirons, etc...	✓		
<u>One-Way Freight Allowance</u> One-way freight allowance on pre-authorized repair done at factory is covered.	✓	✓	
<u>Convection Heat Exchanger</u> Convection heat exchanger assembly	✓	✓	
<u>Firebox Assembly</u> Adjustable Air Restrictor, Pressure Relief Mechanisms, Glass Attachment Mechanism	✓	✓	✓

EXCLUDED COMPONENTS: Paint, Gasketing, and Accent Light Bulbs

CONDITIONS & EXCLUSIONS

- This new gas appliance must be installed by a qualified gas appliance technician. It must be installed, operated, and maintained at all times in accordance with the instructions in the Owner's Manual. Any alteration, willful abuse, accident, neglect, or misuse of the product shall nullify this warranty.
- This warranty is non-transferable and is made to the ORIGINAL purchaser, provided that the purchase was made through an authorized DRAGON WHOLESALING dealer.
- Discoloration and some minor expansion, contraction, or movement of certain parts and resulting noise, is normal and not a defect and, therefore, not covered under warranty. The installer must ensure the appliance is burning as per the rating tag at the time of installation. Over-firing (operation above the listed BTU rate) of this appliance can cause serious damage and will nullify this warranty.
- The warranty, as outlined within this document, does not apply to the chimney components or other Non-Travis accessories used in conjunction with the installation of this product. If in doubt as to the extent of this warranty, contact your authorized DRAGON WHOLESALING retailer before installation.
- Dragon Wholesaling will not be responsible for inadequate performance caused by environmental conditions such as nearby trees, buildings, rooftops, wind, hills, or mountains or negative pressure or other influences from mechanical systems such as furnaces, fans, clothes dryers, etc.
- This Warranty is void if:
 - The unit has been operated in atmospheres contaminated by chlorine, fluorine, or other damaging chemicals.
 - The unit is subject to submersion in water or prolonged periods of dampness or condensation.
- Any damage to the unit, combustion chamber, heat exchanger, or other components due to water, or weather damage which is the result of, but not limited to, improper chimney/venting installation.
- Exclusions to this 7 Year Warranty include: injury, loss of use, damage, failure to function due to accident, negligence, misuse, improper installation, alteration or adjustment of the manufacturer's settings of components, lack of proper and regular maintenance, damage incurred while the appliance is in transit, alteration, or act of God.
- This 7 Year warranty excludes damage caused by normal wear and tear, such as paint discoloration or chipping, worn or torn gasketing, corroded or cracked logs, embers, etc. Also excluded is damage to the unit caused by abuse, improper installation, modification of the unit, drilling of the orifices, or the use of fuel other than that for which the unit is configured. Units are shipped for natural gas and must be converted to propane using the included conversion kit. Confirm fuel configuration with your installer.
- Damage to gold or nickel surfaces caused by fingerprints, scratches, melted items, or other external sources left on the gold or nickel from the use of cleaners other than denatured alcohol is not covered in this warranty.
- DRAGON WHOLESALING is free of liability for any damages caused by the appliance, as well as inconvenience expenses and materials. Incidental or consequential damages are not covered by this warranty. In some states, the exclusion of incidental or consequential damage may not apply.
- This warranty does not cover any loss or damage incurred by the use or removal of any component or apparatus to or from the gas appliance without the express written permission of DRAGON WHOLESALING and bearing a DRAGON WHOLESALING label of approval.
- Any statement or representation of DRAGON WHOLESALING products and their performance contained in DRAGON WHOLESALING advertising, packaging literature, or printed material is not part of this 7-year warranty.
- This warranty is automatically voided if the appliance's serial number has been removed or altered in any way. If the appliance is used for commercial purposes, it is excluded from this warranty.
- No dealer, distributor, or similar person has the authority to represent or warrant DRAGON WHOLESALING products beyond the terms contained within this warranty. DRAGON WHOLESALING assumes no liability for such warranties or representations.
- Dragon Wholesaling will not cover the cost of the removal or re-installation of hearths, facing, mantels, venting, or other components.
- If for any reason any section of this warranty is declared invalid, the balance of the warranty remains in effect and all other clauses shall remain in effect.
- THIS 7 YEAR WARRANTY IS THE ONLY WARRANTY SUPPLIED BY DRAGON WHOLESALING, THE MANUFACTURER OF THE APPLIANCE. ALL OTHER WARRANTIES, WHETHER EXPRESS OR IMPLIED, ARE HEREBY EXPRESSLY DISCLAIMED AND PURCHASER'S RECOURSE IS EXPRESSLY LIMITED TO THE WARRANTIES SET FORTH HEREIN.**

IF WARRANTY SERVICE IS NEEDED:

- If you discover a problem that you believe is covered by this warranty, you **MUST REPORT** it to your DRAGON WHOLESALING dealer **WITHIN 30 DAYS**, giving them proof of purchase, the purchase date, and the model name and serial number.
- Dragon Wholesaling has the option of either repairing or replacing the defective component.
- If your dealer is unable to repair your appliance's defect, he may process a warranty claim through DRAGON WHOLESALING, including the name of the dealership where you purchased the appliance, a copy of your receipt showing the date of the appliance's purchase, and the serial number on your appliance. At that time, you may be asked to ship your appliance, freight charges prepaid, to DRAGON WHOLESALING. DRAGON WHOLESALING, at its option, will repair or replace, free of charge, your DRAGON WHOLESALING appliance if it is found to be defective in material or workmanship within the time frame stated within this 7-year warranty. DRAGON WHOLESALING will return your appliance, freight charges (years 1 to 5) prepaid by DRAGON WHOLESALING, to your regional distributor, or dealership.
- Check with your dealer in advance for any costs to you when arranging a warranty call. Mileage or service charges are not covered by this warranty. This charge can vary from store to store.

LP Conversion Instructions




CAUTION: The gas supply shall be shut off before disconnecting the electrical power, before proceeding with the conversion.



WARNING

This conversion kit shall be installed by a qualified service agency in accordance with the manufacturer's instructions and all applicable codes and requirements of the authority having jurisdiction. If the information in these instructions is not followed exactly, a fire, explosion, or production of carbon monoxide may result causing property damage, personal injury, or loss of life. The qualified service agency is responsible for the proper installation of this kit. The installation is not proper and complete until the operation of the converted appliance is checked as specified in the manufacturer's instructions supplied with the kit.

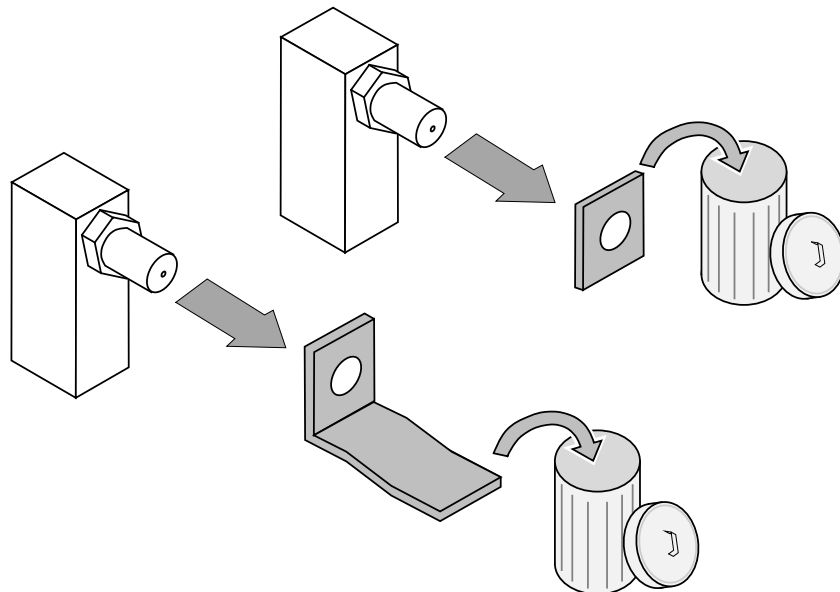
Packing List

<p>LP Front Burner Orifice: #56</p> 	<p>LP Rear Burner Orifice: #C55</p> 	<p>LP Pilot Orifice</p> 
-----------------------------------------------------------------------------------------------------------------------	-----------------------------------------------------------------------------------------------------------------------	-------------------------------------------------------------------------------------------------------------

Convert the appliance prior to installing the gas line to ensure proper gas use.

The GSR Stepper Motor Kit (4-pack = 94400999), (single = 250-01463) is required for converting this appliance to LP. The kit contains the stepper motor (regulator) and Torx wrench.

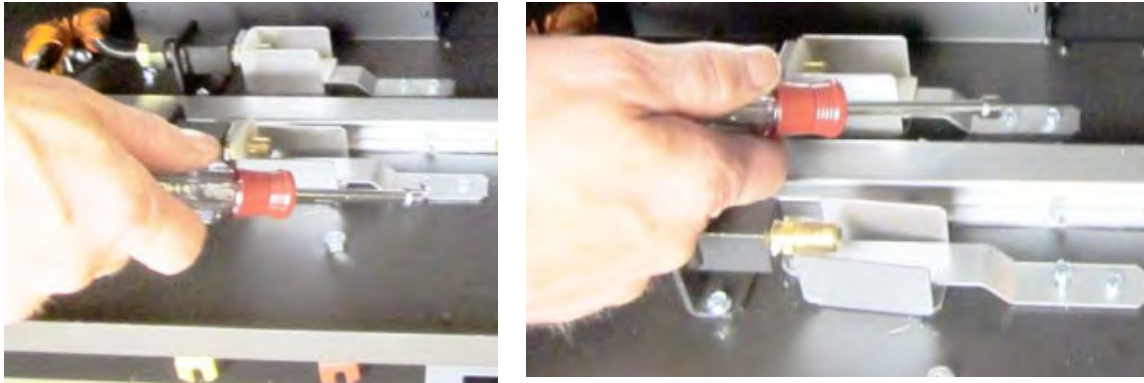
1. Access the firebox.
2. Remove the burner (see "Remove the Burner," in the owner's manual).
3. When using LP, remove and discard the two existing orifice gaskets (see below).



50

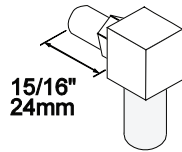
Optional Equipment (for qualified installers only)

- Remove and set aside the stock seal plates (shown below).

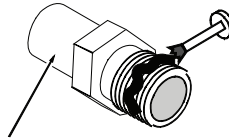


- Install the LP (propane) orifices.

Screw each LP orifice in so the orifice protrudes 15/16" (24mm) (indicating full insertion).



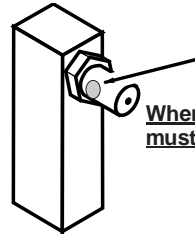
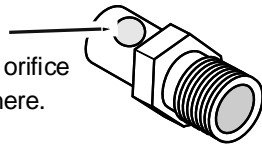
Apply thread sealant to the LP orifices prior to installation. Use the chart below to identify the correct orifices.



Look here for the orifice identification

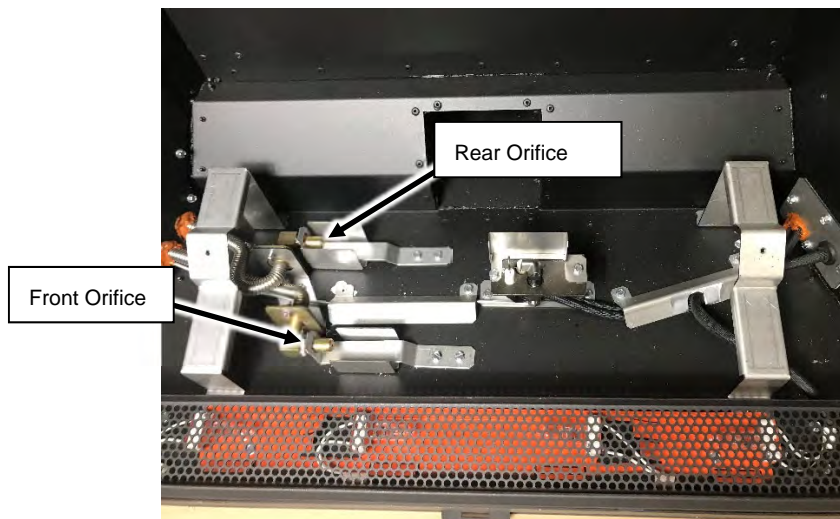
NOTE:

The "#C55" orifice has a hole here.

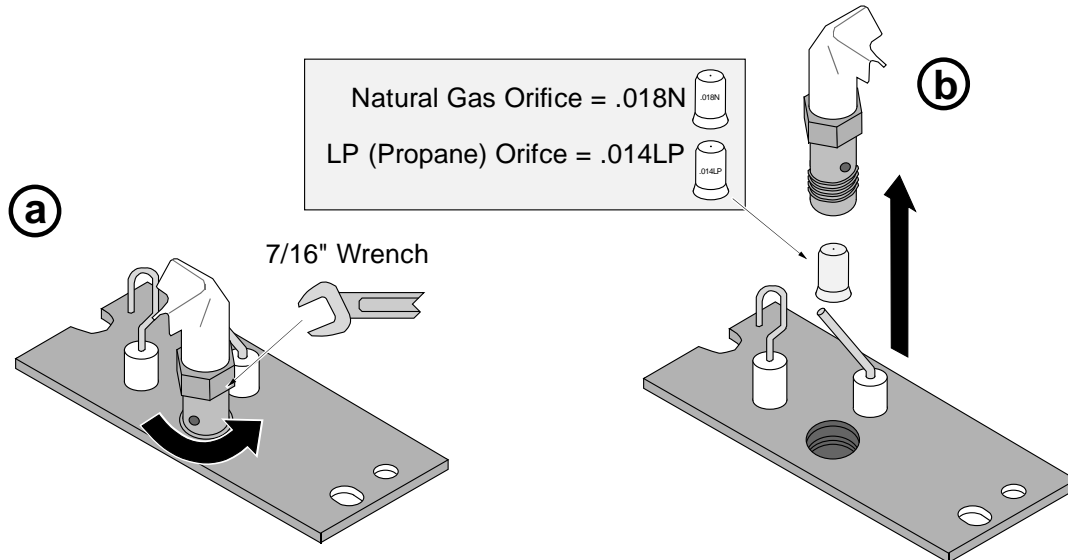


When installed, the hole must be horizontal.

ORIFICE SIZE (ID)	Natural Gas	LP (Propane)
Front Burner Orifice	#45 DMS	#56 DMS
Rear Burner Orifice	#44 DMS	#C55 DMS



6. Install the LP pilot orifice following the directions below.
 - (a) Use a 7/16" open-end wrench to remove the pilot hood.
 - (b) Remove and discard the Natural Gas (NG) orifice. Place the LP orifice in the pilot assembly then replace the pilot hood, tightening the pilot hood until it is snug (do not over-tighten).



7. Replace the firebox components. Restore the fireplace to the correct configuration. Install the firebacks before re-installing the burner.
8. Access the stepper motor (shown below). The stepper motor (adjustable regulator) has an installation sheet included with it – make sure to follow all of the directions. Disconnect the wiring from the stepper motor. Remove the stock stepper motor and replace with the LP version. – **MAKE SURE IT IS CORRECTLY ORIENTED.** Secure using the screws included with the motor – tighten to 25 Lb-inches. Leak test this area after installation to verify proper installation. Re-attach the wiring.



9. Restore the appliance to the correct configuration. Make the gas line connection, bleed the gas line (if applicable), start the heater, and thoroughly leak-test all gas connections and the gas control valve.

Fireback Installation

Packing List

- (1) Rear Fireback
 - (2) Side Firebacks
 - Panel Spacers (**For Glass Firebacks ONLY**)
- NOTE:** Comes as 1 piece – must be separated for installation

Installation

WARNING Turn off gas to the appliance and make sure it has fully cooled prior to conducting service.

GLASS FIREBACK WARNINGS

HANDLING THE FIREBACKS: The glass firebacks are fragile – especially the edges. Take care to prevent contacting/scraping the glass against metal or rough surfaces. You may wish to lay out a blanket during installation in case you need to set the firebacks down.

We recommend the use of gloves and safety glasses during the installation of the glass firebacks.

GLASS FIREBACK CLEANING

These firebacks require periodic cleaning. Do not use ammonia-based cleaners (this may cloud the glass). We recommend ammonia-free glass cleaner (i.e. vinegar and water) to clean the fireback.

CERAMIC FIREBACK WARNINGS



The rear fireback is rectangular and must be placed right side up. Lay the firebacks on a flat surface prior to installing to verify the texture (brick, ledgestones) are aligned.

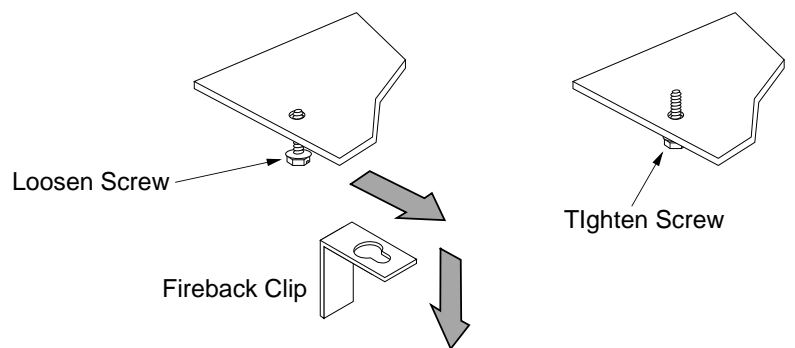


The firebacks are fragile, especially after being exposed to heat. Take care to prevent contacting/scraping the firebacks against metal or rough surfaces.

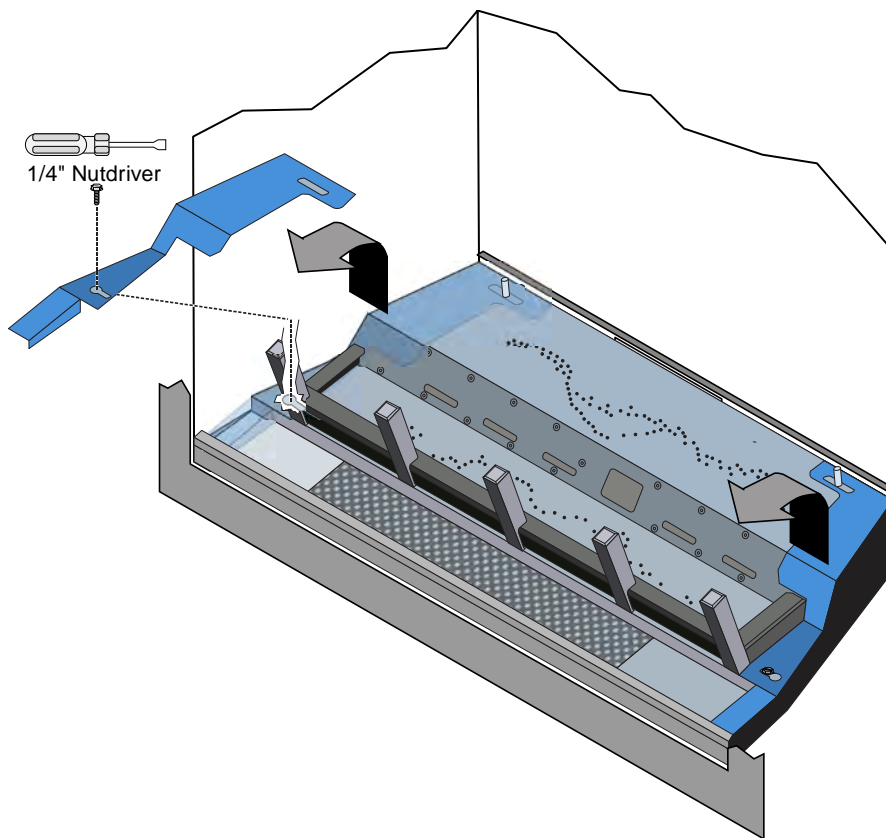
NOTE On two-sided firebacks make sure the rear and sides patterns match.

NOTE On rear firebacks that have brick texture make sure the edge with the full brick is at the top.

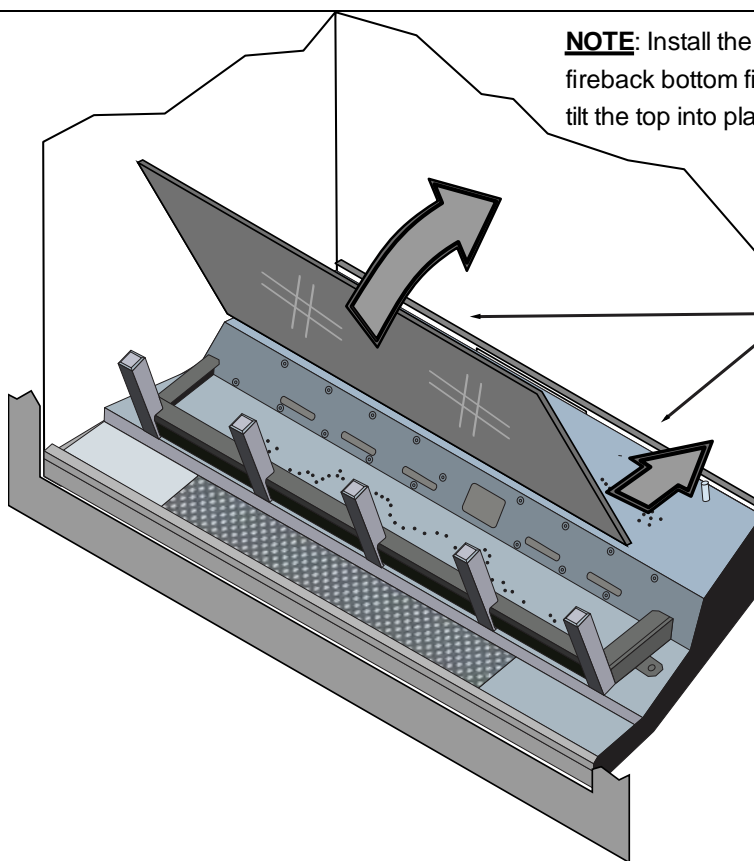
1. Access the firebox (see Owner's Manual).
2. There are (2) fireback clips in the firebox ceiling **for DVS** (1) on each side and (3) **for DVL**– (1) on each side and (1) in the back. Use a ¼" nut driver to loosen the screws just enough to allow the fireback clip to move. The clip has a "keyhole" slot on it. Slide the clip forward until it can move freely over the head of the screw. Tighten the screws so they do not obstruct the installation of the fireback panels in a later step.



- Use a 1/4" nut driver to loosen the screws (1 each side) that secure the burner side covers to the burner. There is a "keyhole" slot in the cover so removal of the screw is not necessary. Push the burner side cover toward the center of the insert until the hole in the cover lines up with the head of the screw. Lift up slightly and remove the cover from the firebox. Repeat for other cover. Set the covers aside for reinstallation.



- Place the rear fireback into position and support it with your hand until you install the rear fireback clip in the next step.



NOTE: Install the rear fireback bottom first. Then tilt the top into place.

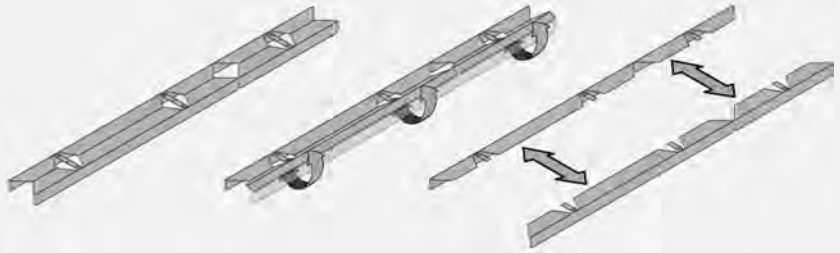
NOTE: the fireback rests on the ledge at the back of the firebox

BLACK GLASS FIREBACKS ONLY – For all other firebacks skip to step 8

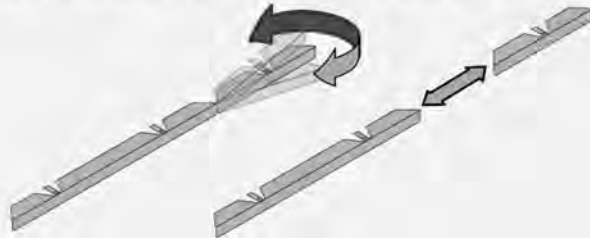
NOTE: No tools are needed for this step.

5. Prepare the panel spacers. Gently bend the spacers back and forth along the lengthwise perforation until they separate.
6. Separate the top panel spacers from the bottom panel spacers by gently bending them back and forth at the perforations (about 1/3 from the end).

Separate the two halves



Separate the top spacers from the bottom spacers

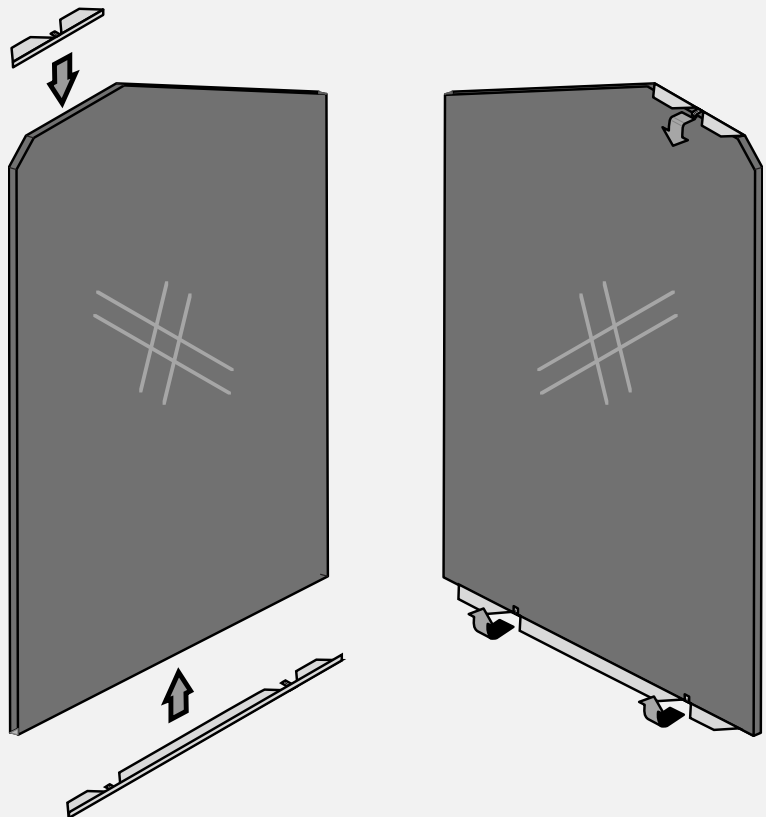


7. Prepare the side firebacks for installation. Each side uses (1) large spacer on the bottom of the panel and (1) small spacer on the top of the panel (just after the mitered corner). Place the spacers as shown below and bend the small tabs (1 on the top and 3 on the bottom) to secure the spacers to the glass.

NOTE: You may want to pre-bend the tabs before placing the spacer on the glass.

Front Side View

Rear Side View

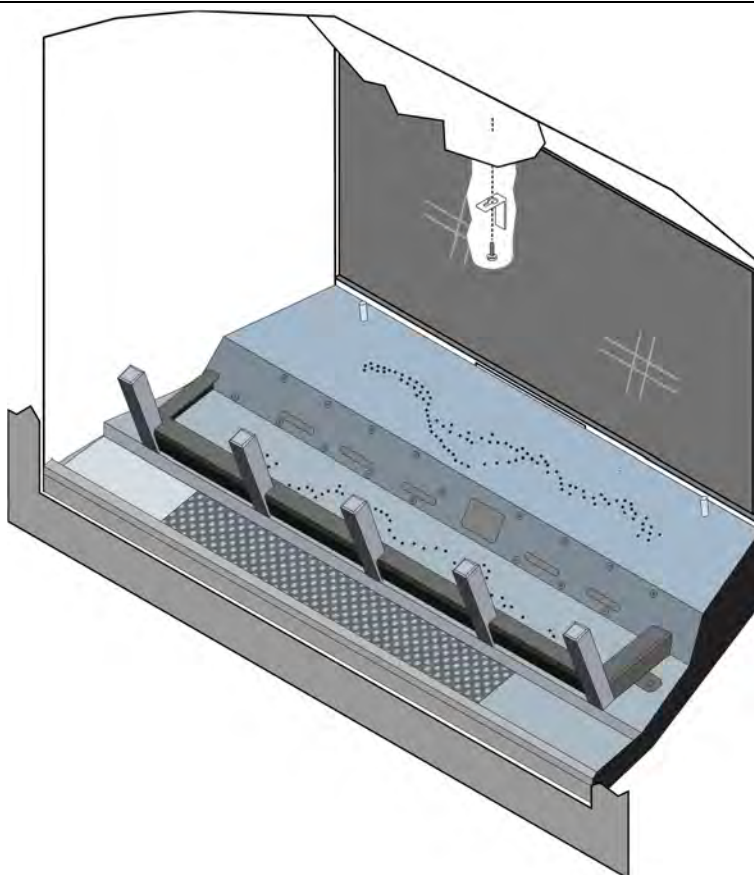


8. Make sure the rear fireback is centered in the insert.

(DVL ONLY)

Replace the rear fireback clip to secure the rear fireback in place.

(DVS ONLY) The rear fireback will be held in place by the side firebacks in the next step. Support the rear fireback with your hand until at least one side fireback is in place (next step).



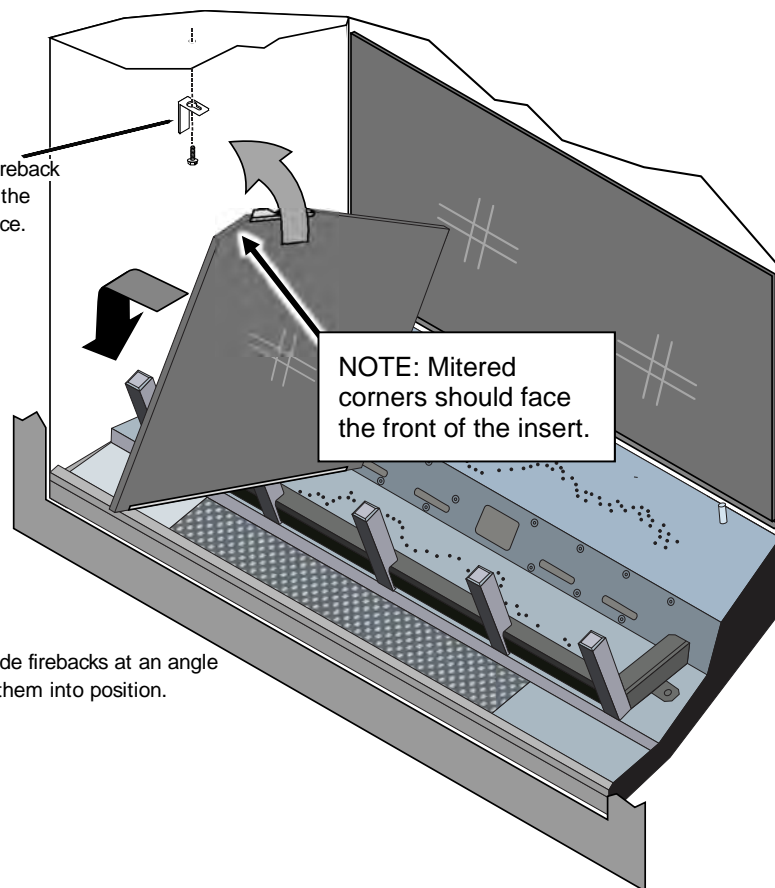
9. Install one of the side panels into the firebox as shown below. The side fireback rests on a shelf located to the side of the burner.

NOTE: Push the side fireback backward until it contacts the rear fireback.

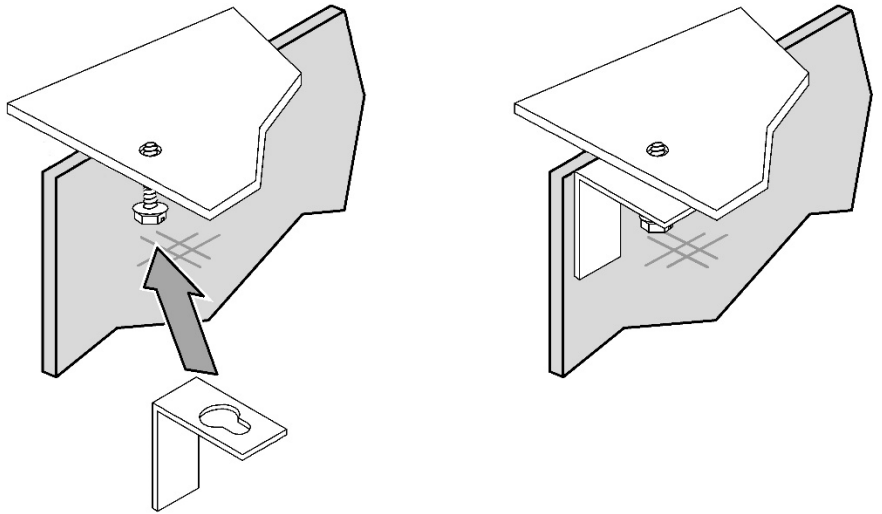
Replace the fireback clip to secure the fireback in place. (see step #8).

NOTE: Mitered corners should face the front of the insert.

Hold the side firebacks at an angle and place them into position.



10. Install a fireback clip (removed in step 2) over the screw. Slide the clip against the fireback (the fireback will be sandwiched between the clip and the side of the firebox). Tighten the screws to lock the glass in place (see below).



11. Repeat steps 8 and 9 for the opposite side fireback.

12. Reinstall the burner side covers removed in step 3.

NOTE: Slide the side burner covers toward the sides of the unit until they contact the side firebacks. Tighten the screws to hold them in place.

Log Set Installation

Installation Warnings

NOTE: Consult the installation manual for order of installation. If using propane (LP), convert the appliance before installing the log set. If using firebacks, install them prior to installing the log set.

- The logs are fragile, especially after being exposed to heat.
- Make sure the gas control valve is OFF and the heater is cool prior to conducting service.
- Failure to position the parts in accordance with these diagrams or failure to use only parts specifically approved with this appliance may result in property damage or personal injury.
- The burner must be correctly positioned before installing the log set. Make sure the burner is fully seated and the pilot is properly aligned.

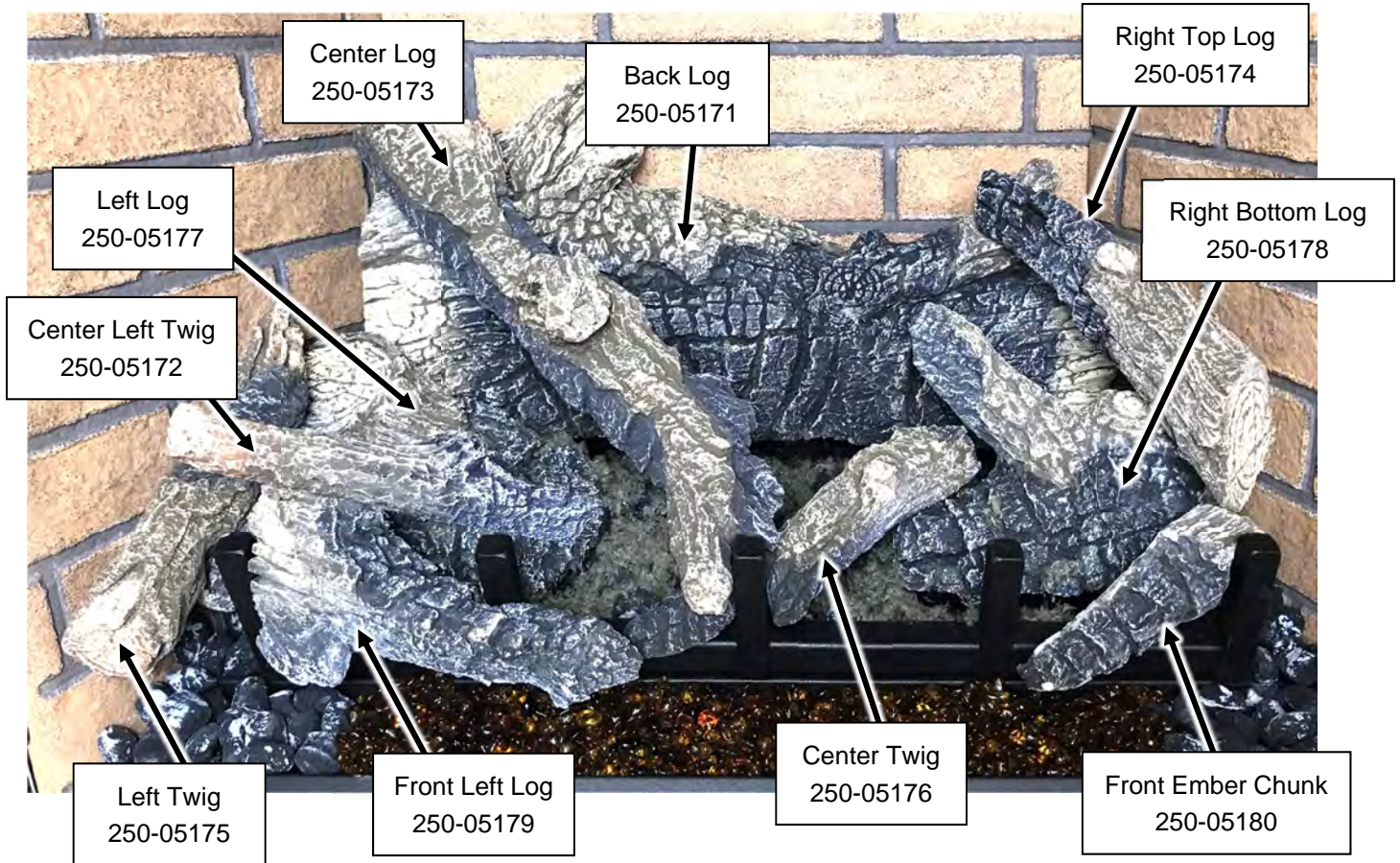
Order of Installation

When setting up the insert, you will need to follow a specific order of installation to optimize installation time. Failure to have all of the accessories available at the time of installation will delay installation and may lead to unnecessary disassembly of components.

10. Run gas line to the fireplace
11. Remove the glass frame.
12. Run vent through fireplace chimney. On larger fireplaces, the vent connector may be left in place. For smaller fireplaces, remove the vent connector. See "Vent Connector Removal and Installation" for details.
13. Place the insert into position and attach the gas line and vent.
14. Remove the burner.
NOTE: If using propane (LP), convert the appliance at this time.
15. Install the firebacks.
16. Replace the burner.
17. Install the media (logs, stones - see instructions included with the media).
18. Install the surround panel (see instructions included with surround panel).
19. Replace the glass.
20. Install the face (see instructions included with the face).
21. Follow the instructions under "Finalizing the Installation."

DVL EG Log Set Overview – Oak Lg. (sku# 94500952)

When installed, the ten (10) logs should appear as shown below.



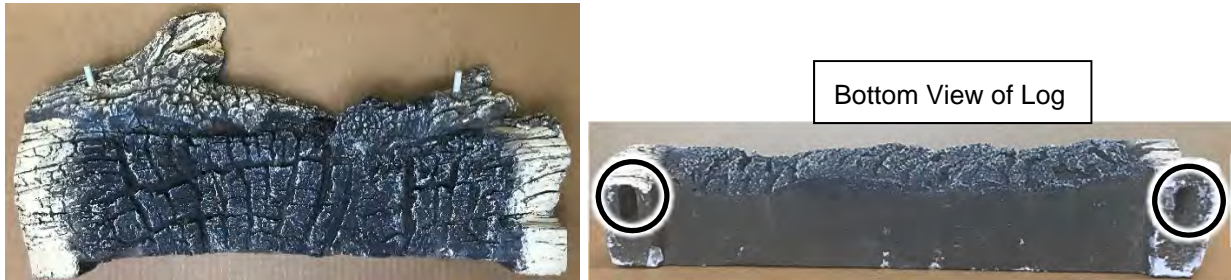
Log Set Installation



The logs are fragile, especially after exposure to heat.

NOTE: The insert should be in place, with the gas line and vent attached and the firebacks installed (see owner's manual for further details).

22. Place the rear log as shown below. The two slots on the bottom of the log sit over the pin on the burner. With the rear log in place, push it all the way back



23. Place the left log on the lower front portion of the burner. The notch on the bottom left of the log rests on the grate. Push the log backward until it is in contact with the sloped area between the front and rear burner.



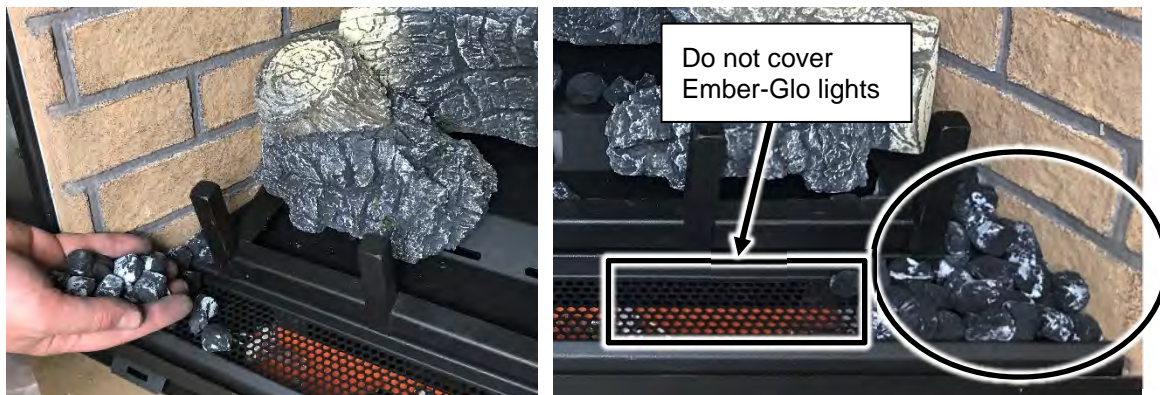
NOTE: Make sure the log does not obstruct any burner holes.



24. Place the right log as shown below. The notch on the bottom right of the log rests on the grate. Push the log backward until it is in contact with the sloped area between the front and rear burner. Make sure burner holes are not obstructed.



25. Detail around the burner with ember chunks. Cover any exposed metal between the side of the grate and the side of the firebox. Stack ember chunks over any portion of the perforated metal along the front of the unit that IS NOT over the Ember-Glo lights (see picture below to the right).



26. Place ember chunks on any portion of the front or rear burner as long as it does not obstruct any burner holes.



27. Detail the burner with Rock Wool. The included rock wool is placed on top of the burner to enhance the glow from the burner. **The rockwool can be applied in a relatively thick layer.** The best method for applying the rock wool is to brush it on to the burner. Compress a clump of rockwool between your thumb and forefinger. Use a stiff brush to apply rockwool fibers onto the burner. Do not use the entire bag of rockwool. Use only a small amount and save the remainder. Over-use of rockwool will diminish the glow and may cause sooting or other adverse conditions.



NOTE: Remove all rockwool from the pilot area (see below).



28. Install the Ember glass on the perforated area directly in front of the grate. Place a thick layer of the ember glass over the perforations making sure to cover all of the holes.



29. Lightly dress the ember glass with the black touch-up paint provided. Check the appearance with the lights on and add additional paint, as needed, for a realistic glowing ember appearance.

NOTE: If power is supplied to the insert it can help to turn the lights on while painting so you can determine an appropriate amount of paint for a realistic ember appearance.

NOTE: We recommend that you use a piece of paper, cardboard as a shield to mask the log grate and burner from overspray (see below).



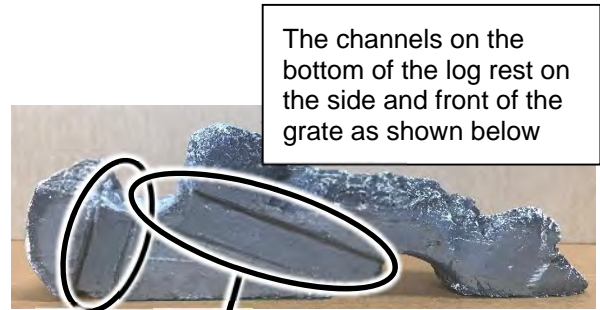
Scan this code with a QR reader on your cell phone to watch a video of the setup.



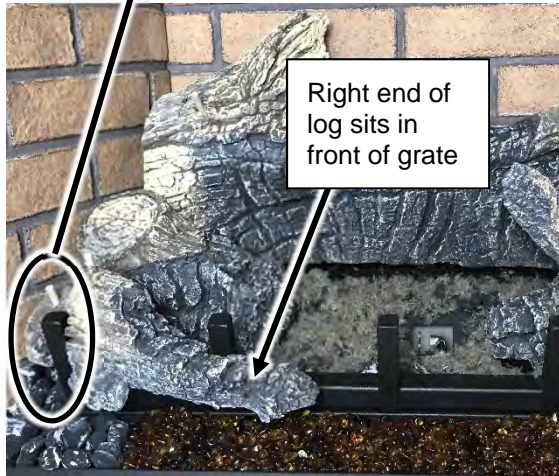
<http://vimeo.com/289322734>

NOTE: If power is supplied, turn the rheostat until the embers have a realistic and aesthetically pleasing appearance. Use the remote to turn the Ember-Glo lights on and off.

30. Place the front left log as shown below. The log has a channel that orients it properly to the grate (see below). The right end of the log sits forward of the second vertical finger of the grate. There are also two channels on the bottom of the log that rest on the side and front edges of the burner.



The channels on the bottom of the log rest on the side and front of the grate as shown below



31. The right top log has two slots on the back that fit over the pins on the rear and right log (see pictures below).



32. The center twig rests on the tip of the right bottom log and has a notch that rests on the middle vertical finger of the grate.



33. The center log rests on a pin on the left end of the rear log and the on the left end of the center twig. There is a notch at the end of the log that rests against the grate.



34. Place the right ember chunk as shown below.



35. The left twig sets on the left most pin on the front left log and the top rests on the left log.



36. Place the center-left twig over the remaining pin on the front left log. The burnt end of the log should rest on (or near) the grate.



37. Place any remaining ember chunks on the ember glass and grate to create a realistic appearance.



Accent Light Replacement	40	Location of Controls	30
Additional Items Required	7	Low Battery Indicator	38
Battery Replacement.....	38	LP Conversion Instructions.....	49
Before You Begin	29	Maintaining Your Heater's Appearance	40
Child-Proof Feature.....	39	Normal Operating Odors.....	39
Clearances	12	Normal Operating Sounds	39
Dimensions	6	Order of Installation.....	7
Direct Operation	31	Packing List.....	7
Display Fahrenheit or Celsius	38	Pilot Fuel Conservation Timer	33
Electrical Requirements	11	Power Outages	38
Electrical Specifications (for optional blower)	6	Remote Control Warnings	29
Ember-Glo Bulb Replacement	41	Remote Operation.....	34
Exhaust Restrictor Settings.....	15	Remote Set-Up	30
Features	6	Replacement Parts	46
Fireplace Requirements	8	Starting the Fireplace for the First Time	32
Fuel	6	Steps for Finalizing the Installation	27
Gas Line Requirements	13	Surround Panel Installation.....	22
Glass Frame Removal and Installation	25	Top Convection Deflector	8
Hearth Requirements	9	Troubleshooting Table	44
Heating Specifications.....	6	Vent Attachment – Tight Installations	18
Installation Options.....	6	Vent Requirements	14
Installation Warnings.....	7	Visual Deflector Removal	26
Intermittent/Continuous Pilot.....	32	Wiring Diagram	45
Items Packed with the Face.....	7	Yearly Service Procedure	43
Leveling Legs	10		

Want to know more?

Scan this code with a QR reader on your cell phone or use the URL below to watch a video of how to use the GreenSmart® remote.



<https://vimeo.com/84052701>