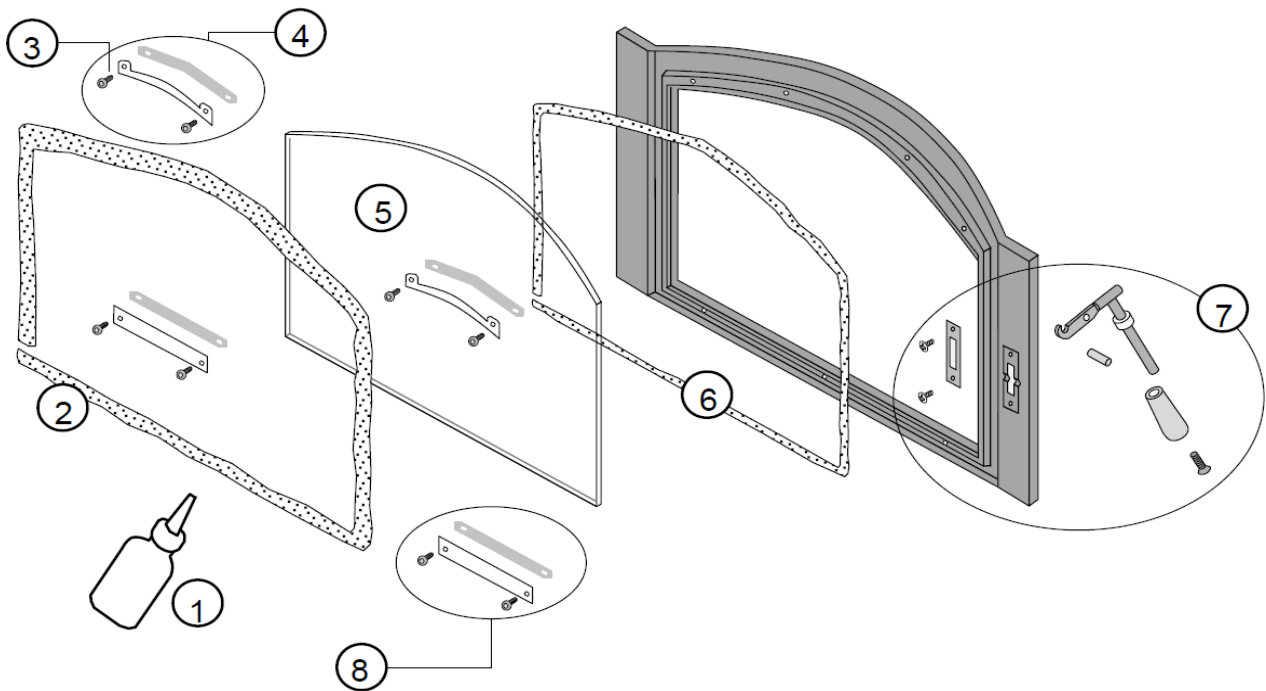


ROCKPORT SPARE PARTS - EFFECTIVE 1st MAY 2021

Door Parts



Pricing shown excludes freight and installation. Pricing may vary depending on area.

Pricing includes GST.

ID #	Description	Qty	Part #	RRP	Other Detail
1	Gasket Cement	1			Contact your Lopi Dealer
2	Door Gasket	1	250-02832	\$ 62	
3	Screws (8) 8-32 x 1/2" Torx	1	225-20039	\$ 15	Pack of 8
4	Upper Glass Clips with Gasket (2)	1	250-03515	\$ 58	
5	Rockport Glass	1	250-03891	\$306	
6	Glass Gasket	1	250-02184	\$ 15	
7	Door Handle Assembly	1	250-02074	\$ 80	
8	Lower Glass Clips with Gasket (2)	1	250-03514		Replaced by 250-03515

Replacing the Glass



The glass must not contact the door retainer or glass clips directly. The glass gasket and glass clip gaskets insulate the glass to prevent cracking. Do not over-tighten the glass clips. Do not use substitute materials.

Replacing the Door Gasket

The door gasket inserts into the outer groove of the door, and is held in place with RTV high-temperature silicone. Before installing, remove any residual cement. Lay the gasket in place (start at the lower right corner) and cut off any excess gasket.

NOTE: Do not stretch the gasket. You may need to open and close the door repeatedly to get the gasket to seat fully.

Replacing the Door Handle

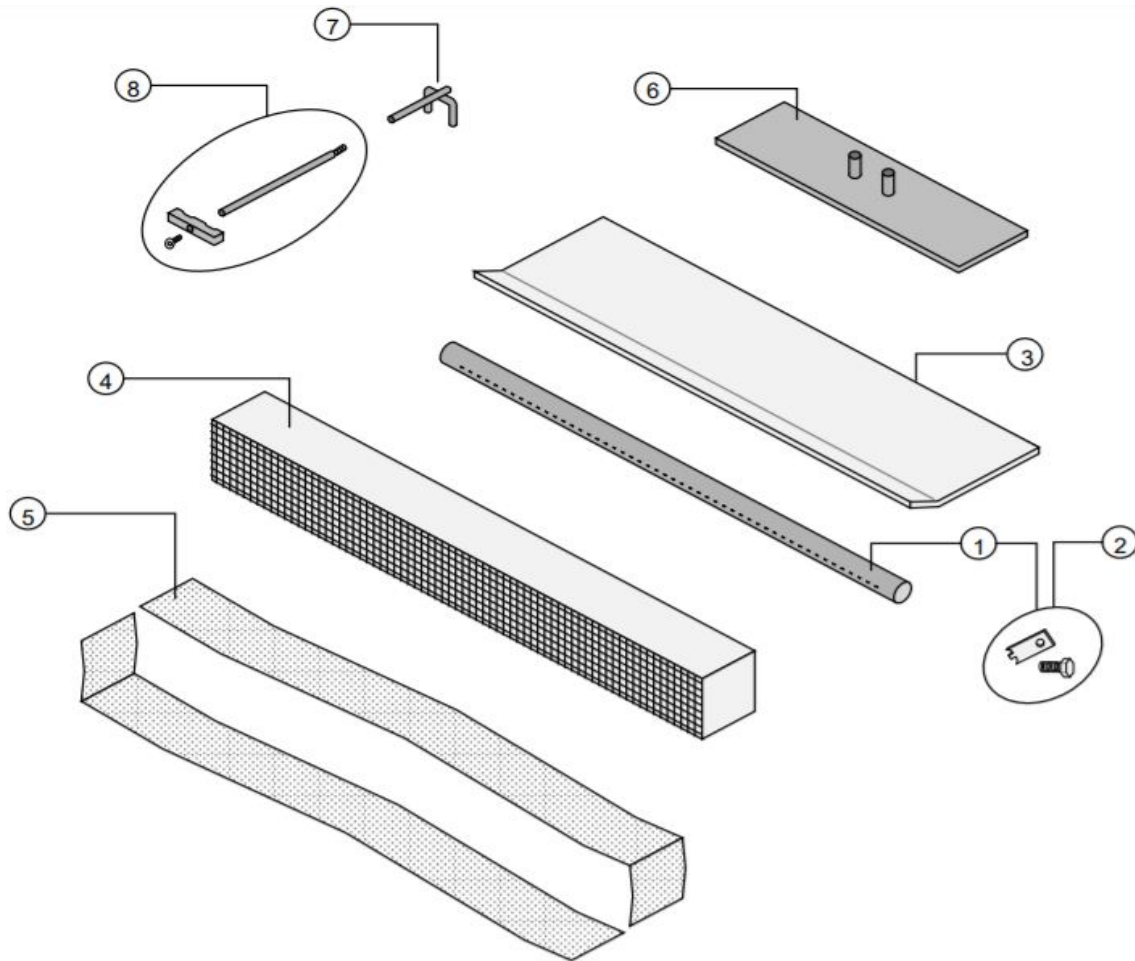
See the illustration above for a component list (see page 31 for details on adjusting the door).

Removing the Door

To remove the door, open the door, then remove the four hex screws securing the hinges and remove the door and hinges as one assembly (see page 31 for details on removing the door).

NOTE: It will be helpful to have another person hold the door in place while removing the screws.

Firebox Parts



Pricing shown excludes freight and installation. Pricing may vary depending on area.

Pricing includes GST.

ID #	Description	Qty	Part #	\$	Other Detail
1	Air Tube (with pin, screw)	1	98900248	\$ 113	
2	Air Tube Pin with screw	1	250-02186	\$ 15	
3	Deflector	1	250-03889	\$ 102	
4	Combustor with Gasket	1	250-02489	\$ 590	
5	Combustor Gasket	1	250-02643	\$ 55	
6	Bypass Slider	1	250-03887	\$ 98	
7	Bypass Yoke Assembly	1	250-02493	\$ 69	
8	Extension Rod with Handle	1	250-03901	\$ 80	