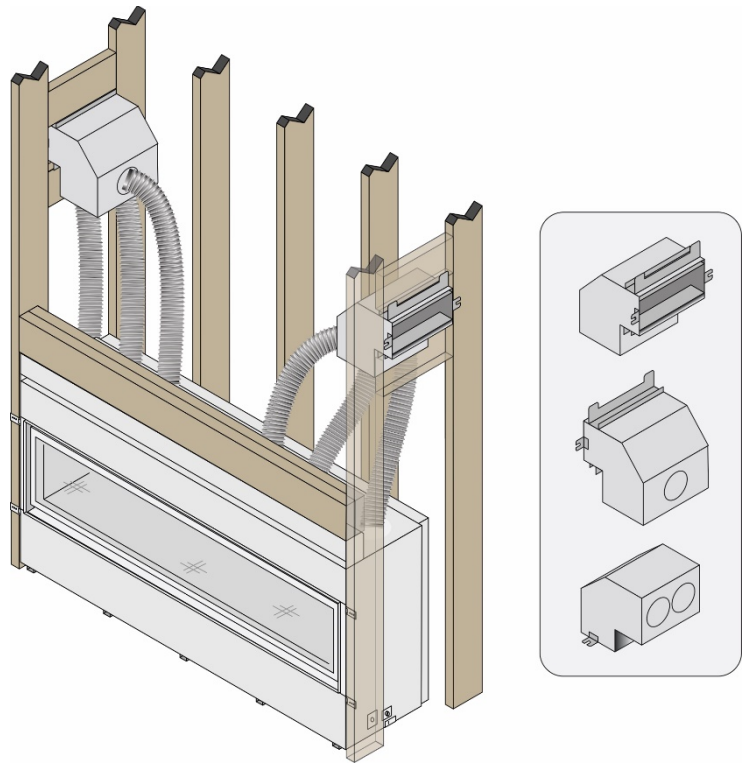


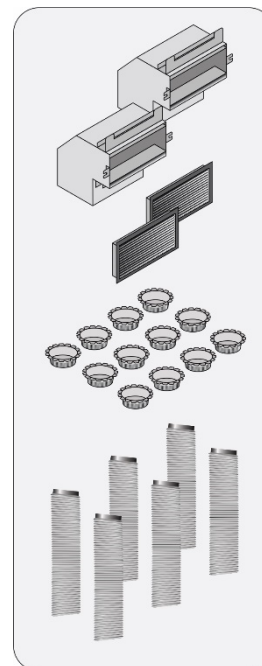
Compatibility

- ProBuilder 24 CF
- ProBuilder 36 CF
- ProBuilder 42 CF
- ProBuilder 42 Linear
- ProBuilder 54 Linear
- ProBuilder 72 Linear
- 564 25K
- 564 25K CF
- 564 35K
- 564 35K CF
- 864 31K Fireplaces (2018 or later) with EmberGlo™
- 864 31K CF Fireplaces (2018 or later) with EmberGlo™
- 864 40K Fireplaces (2018 or later) with EmberGlo™
- 864 40K CF Fireplaces (2018 or later) with EmberGlo™
- 3615 HO (sn# 3213-003633 or later)
- 4415 HO (sn# 3212-011710 or later)
- 6015 HO (sn# 3214-006940 or later)

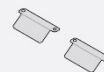


Packing List

- (2) Side Convection Manifolds
- (2) Side Convection Manifold Grilles
- (12) Starter Collars
- (6) 5" Diameter Aluminum Flex Ducts
- (2) Convection Air Deflectors
(Used with PB36 CF ONLY)
- (36) Self-Drilling Tek Screws



Convection Air Deflectors
(for PB36 CF ONLY)





Universal CoolSmart Side Vent Kit

(sku# 98900777)

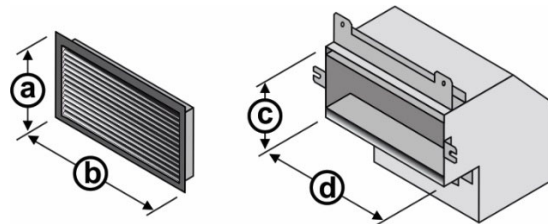
Table of Contents

Maximum Flex Offset.....	3
Preparing the Manifolds.....	4
PB 24CF & PB 36CF – Details	6
PB 24CF & PB 36CF - Installation Overview	6
PB 24CF & PB 36CF - Installation Requirements	7
PB 24CF - Framing the Chase.....	8
PB 36CF - Framing the Chase.....	9
PB 24CF & PB 36CF - Fireplace Preparation.....	10
PB 36CF ONLY - Convection Air Deflectors.....	11
PB 24CF & PB 36CF - Reduced Mantel Clearance	12
PB 42 CF – Details	13
PB 42 CF - Installation Overview	13
PB 42 CF - Installation Requirements	14
PB 42 CF - Framing the Chase.....	15
PB 42 CF - Fireplace Preparation.....	16
PB 42 CF - Reduced Mantel Clearance	18
PB 42, 54, & 72 Linear – Details	19
PB 42, 54, & 72 - Overview.....	19
PB 42, 54, & 72 Linear - Installation Requirements.....	20
PB 42, 54, & 72 Linear - Combustible “Over-Facing” (Optional).....	21
PB 42, 54, & 72 Linear - Framing the Chase.....	22
PB 42, 54, & 72 Linear - Fireplace Preparation	23
PB 42, 54, & 72 Linear - Reduced Mantel Clearance.....	26
564 25K & 35K - Details	27
564 25K & 35K - Installation Overview	27
564 25K & 35K - Installation Requirements.....	28
564 25K & 35K - Framing the Chase.....	29
564 25K & 35K - Fireplace Preparation	30
564 25K & 35K - Reduced Mantel Clearance.....	33
864 31K & 40K- Details	34
864 31K & 40K - Installation Overview	34
864 31K & 40K - Installation Requirements.....	35
864 31K & 40K - Framing the Chase.....	36
864 31K & 40K - Fireplace Preparation	37
864 31K & 40K - Mantel Clearances	39
3615 HO - Details	40
3615 HO - Installation Overview	40
3615 HO - Installation Requirements.....	41
3615 HO - Combustible “Over-Facing” (Optional).....	42
3615 HO - Flush Facing Header Configuration and Facing	43
3615 HO - Framing the Chase.....	44
3615 HO - Fireplace Preparation	45
3615 HO - Reduced Mantel Clearance.....	49
4415 HO Linear – Details	50
4415 HO Linear - Installation Overview	50
4415 HO - Installation Requirements.....	51
4415 HO - Combustible “Over-Facing” (Optional).....	52

4415 HO - Flush Facing Header Configuration and Facing	53
4415 HO - Framing the Chase.....	54
4415 HO - Fireplace Preparation.....	55
4415 HO - Reduced Mantel Clearance.....	59
6015 HO Linear - Details	60
6015 HO Linear - Installation Overview	60
6015 HO Linear - Installation Requirements.....	61
6015 HO Linear - Combustible "Over-Facing" (Optional)	62
6015 HO Linear - Flush Facing Header Configuration & Facing.....	63
6015 HO Linear - Framing the Chase.....	64
6015 HO Linear - Reduced Mantel Clearance.....	65
6015 HO Linear - Fireplace Preparation.....	66
CoolSmart TV Kit Installation (all fireplaces)	69
Using oval pipe to get past an obstruction.....	70

Grille and Manifold Dimensions

The grille may be installed over the facing to provide an aesthetic opening for the convection outlet. (2) #8 x 1-1/2" screws attach the trim to the finish material.



Dimensions

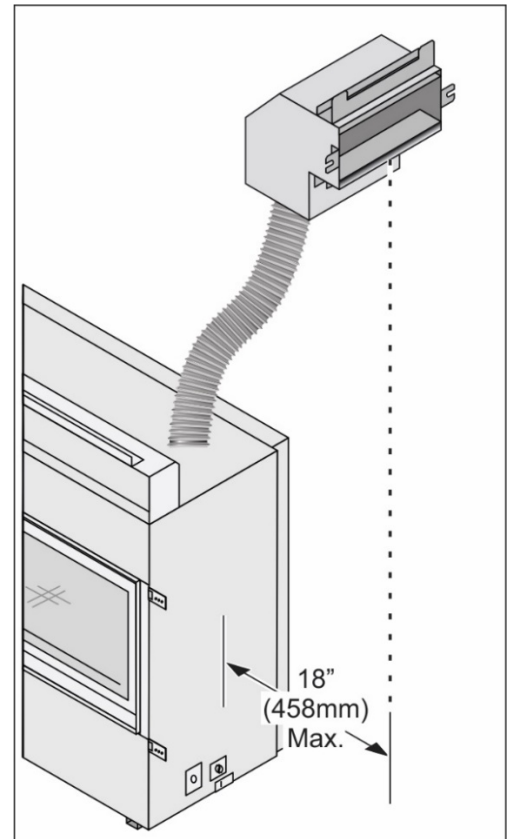
a	b	c	D
7-3/4" (197mm)	13-3/4" (350mm)	6" (153mm)	11-1/2" (293mm)

NOTE: Decorative grilles may be used in place of the provided grilles. They must be metal 12"x6" return air grille with a minimum free area of 45 in² per grille. Free area is the total minimum area of the openings in the grille (usually in square inches) through which air can pass (also known as the "see-through area"). **Free area = Height x Width of opening minus the area of all louvers or other decorative features contained within the Height x Width footprint.**

WARNING: The fireplace and the manifold outlets must be within the same conditioned space.

Maximum Offset

- When planning the installation of this kit keep in mind that the maximum offset is 18" (258mm) from the edge of the fireplace box to the closest portion of the manifold outlet (see illustration to the right).
- The manifolds may face the front, sides, or rear of the chase as long as the outlet of the manifolds and the fireplace is in the same, contiguous conditioned space, all framing and clearance requirements are met, and the flex does not exceed the maximum offset.
- The flex must maintain a minimum of 1/4" of rise for every 12" of run.



Preparing the Manifolds

Each of the two manifolds has (3) knockouts to accommodate the attachment of the flex pipes from the fireplace. Not all of the knockouts are used for every installation. Reference the chart below to determine the number of knockouts used per manifold for each fireplace

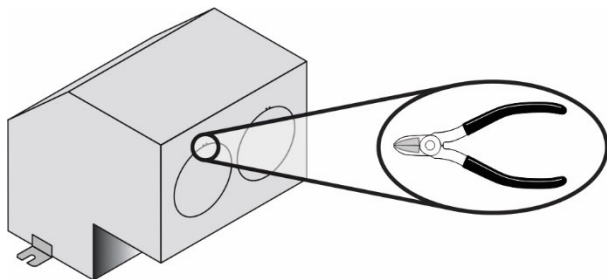
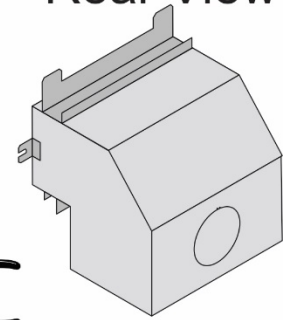
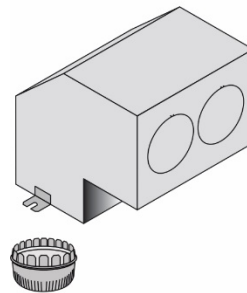
(1) Knockout / Manifold	(2) Knockouts / Manifold	(3) Knockouts / Manifold
PB 24CF	864 TRV 31K	PB 72 Linear
PB 36CF	864 TRV 31K CF	6015 HO
564 25K	864 40K	
564 25K CF	864 40K CF	
564 35k	PB 42 CF	
564 35k CF	PB 42 Linear	
3615 HO	PB 54 Linear	
	4415 HO	

Attach the appropriate number of starter collars to the manifolds following the steps below. There are (2) knockouts on the bottom of each manifold and (1) on the back.

Bottom View

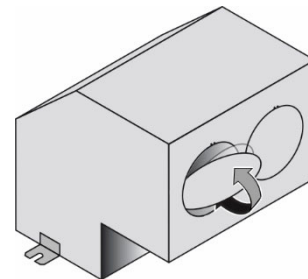
Rear View

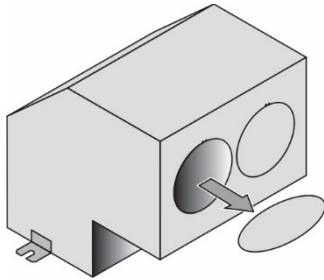
- Determine which knockout is most appropriate for your application.



- There are two small holes close to each other along the edge of the knockout. This metal between them is a tab that secures the knockout in place. Use diagonal cutters to clip the tab for the knockout.

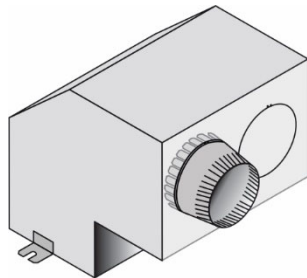
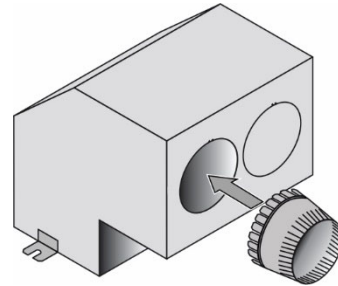
- Wiggle the knockout plate up and down until it completely disconnects from the manifold.





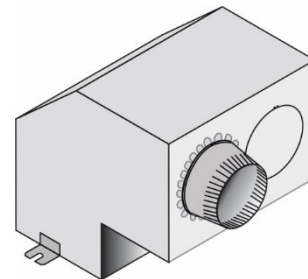
4. Remove and discard the knockout.

5. Guide the end of a starter collar with the bendable tabs into the knockout hole.



6. Insert the starter collar into the manifold as far as it will go and hold it in place.

7. While holding the starter collar tight to the bottom of the manifold, reach in through the starter collar and bend the tabs outward to secure the starter collar to the manifold. Seal the joints with silicone caulk or aluminum (U.L. 181A-P) tape.



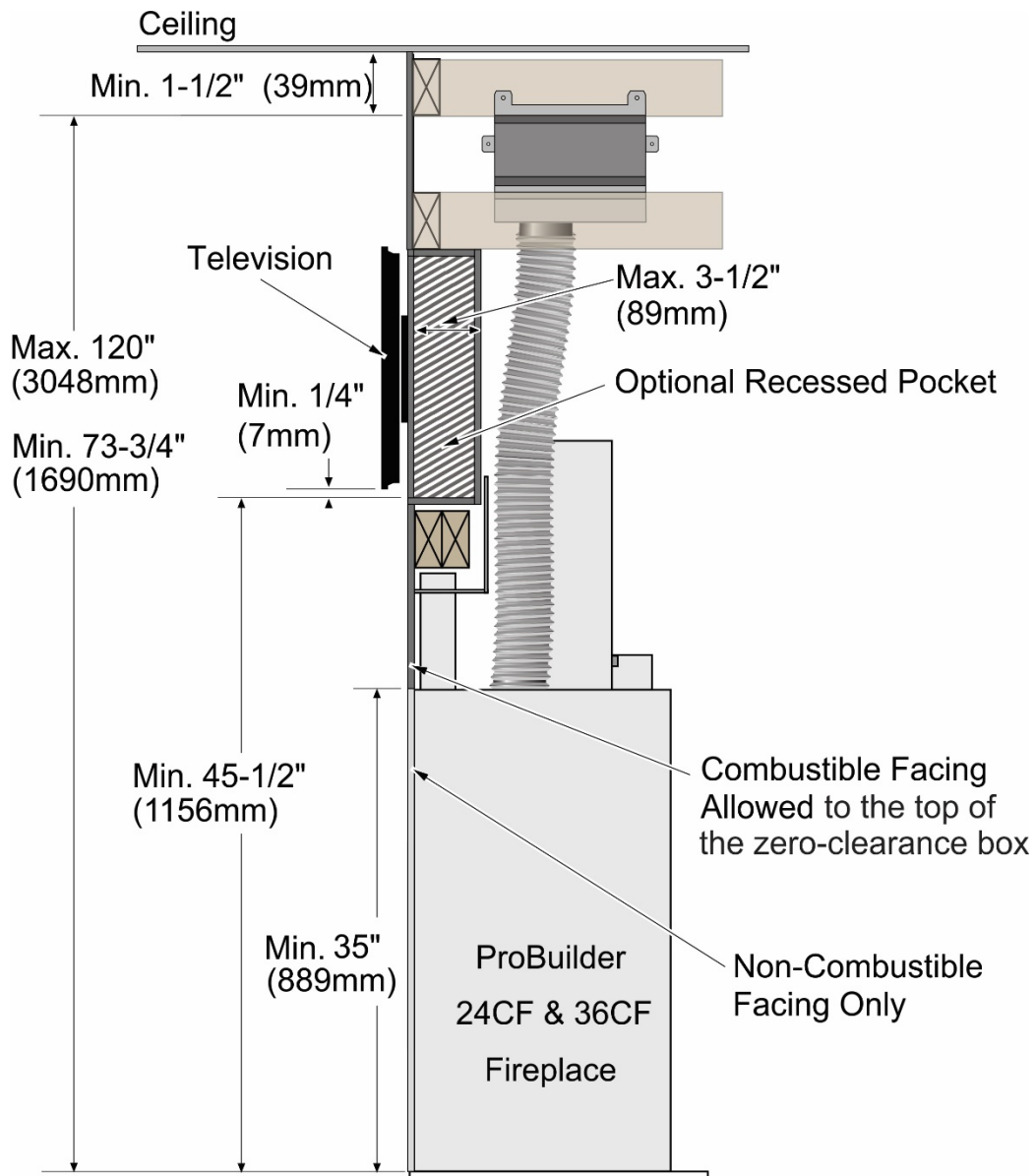
8. If more starter collars are needed for your application, repeat the steps above.

PB 24CF & PB 36CF – Details

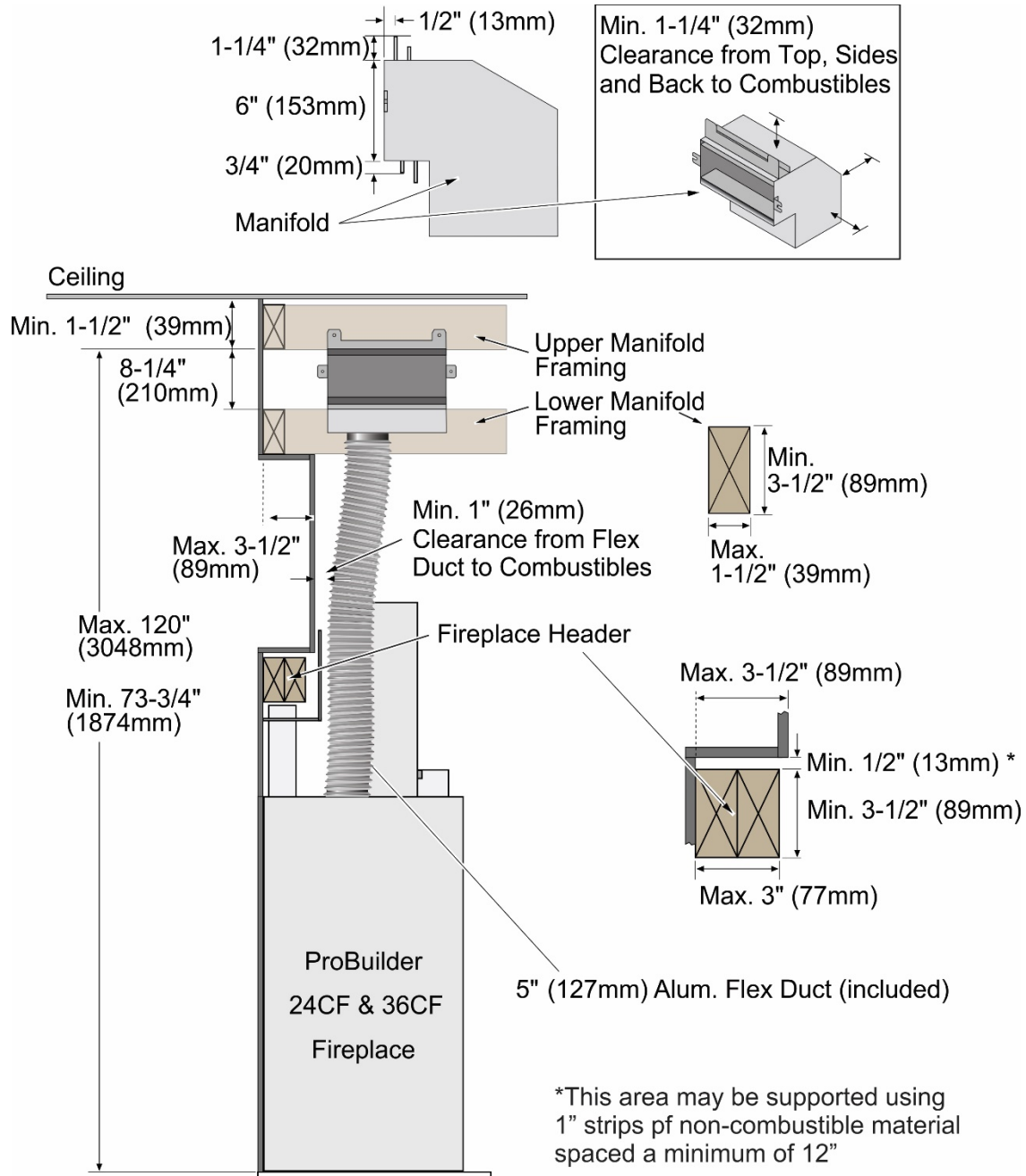
PB 24CF & PB 36CF - Installation Overview

The CoolSmart system is designed to redirect the convective heat of the fireplaces from the front of the unit, just above the glass, to a location higher on the wall. The use of this kit allows for reduced clearances to televisions and a recessed cavity above the fireplace. When using this kit, disregard the standard framing dimensions and follow the framing instructions for the CoolSmart kit.

When used on the PB234 CF & PB36 CF, this kit allows for the **non-combustible facing height to be reduced.** See illustration below for details.

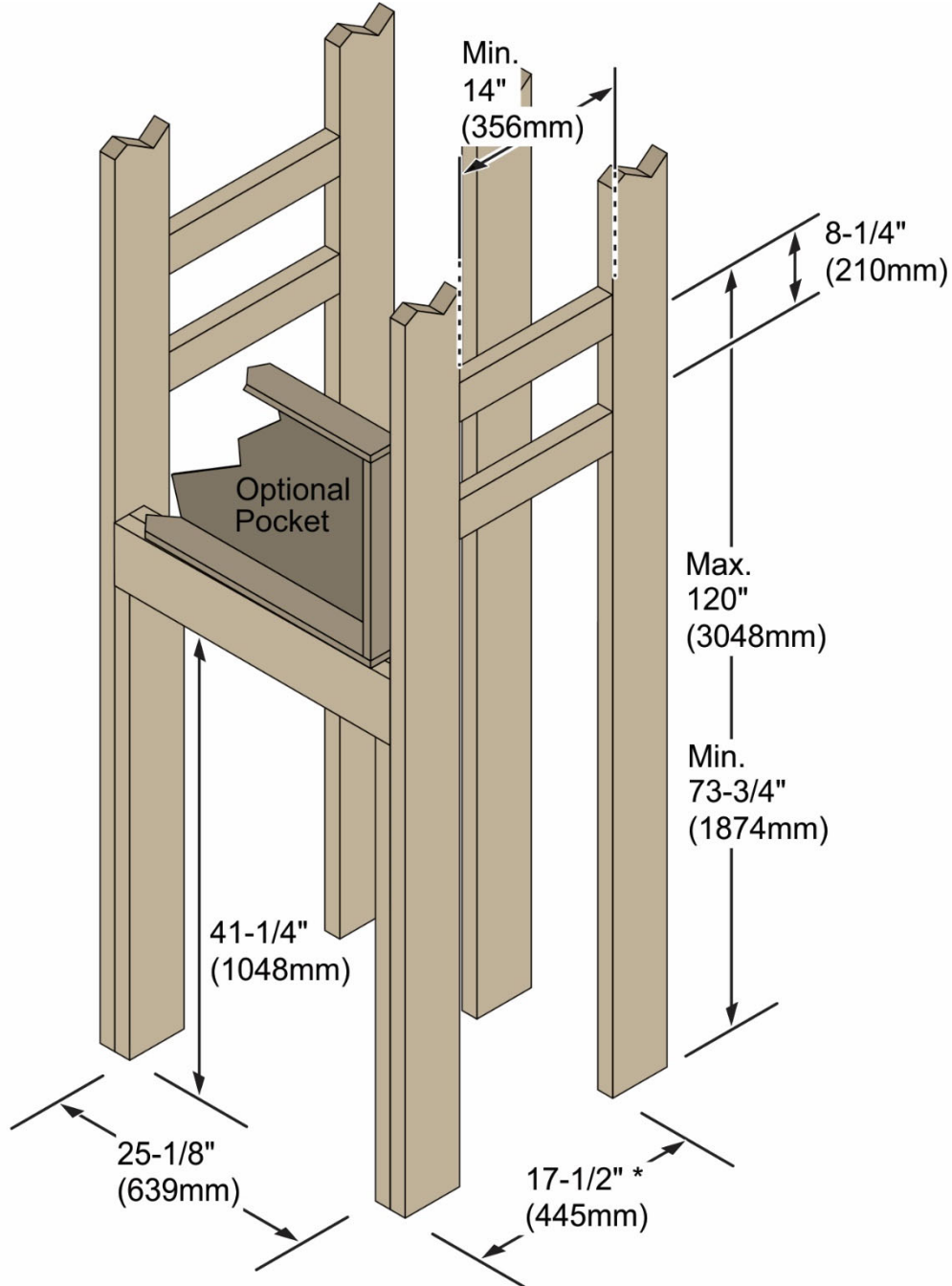


PB 24CF & PB 36CF - Installation Requirements



PB 24CF - Framing the Chase

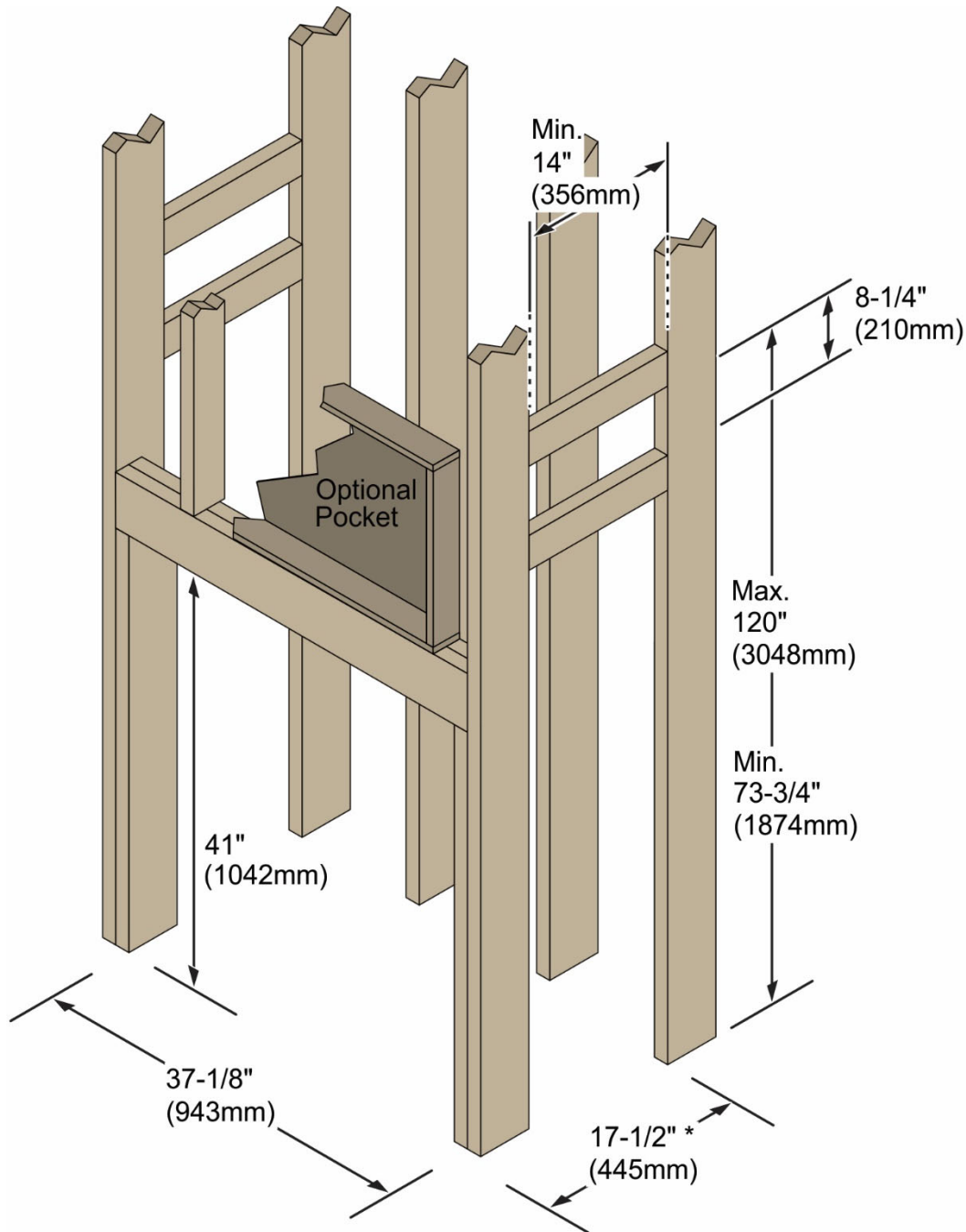
When using this kit, disregard the framing dimensions in the manual and follow the framing instructions shown below.



* The dimension shown is the minimum depth when the manifold is installed in the typical orientation to the side of the chase (based on the width of the manifold). If installing the manifolds in an alternate location or different orientation, the chase may be framed to the fireplaces minimum framing depth (see appliance manual for details).

PB 36CF - Framing the Chase

When using this kit, disregard the framing dimensions in the manual and follow the framing instructions shown below.



* The dimension shown is the minimum depth when the manifold is installed in the typical orientation to the side of the chase (based on the width of the manifold). If installing the manifolds in an alternate location or different orientation, the chase may be framed to the fireplaces minimum framing depth (see appliance manual for details).

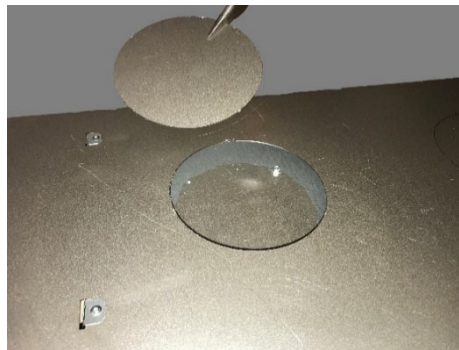
PB 24CF & PB 36CF - Fireplace Preparation

WARNING: In order to extract the heat properly from around the firebox, you must remove (2) layers of cover plates for each of the flex attachment points on the top of the fireplace. Not removing all of the cover plates can create hazardous conditions.

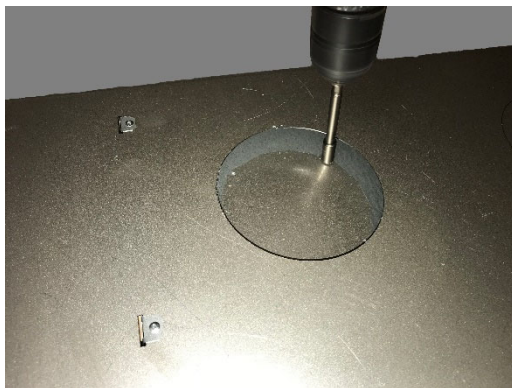
- 1 Remove the knockouts from the top of the fireplace. Use snips or diagonal cutters to snip the tab on the knockouts. Press on the far side away from the tap to pop the edge of the knockout up.



- 2 Grab on to the knockout with pliers and bend it back and forth until the remaining tabs break free. Discard the knock out plate.

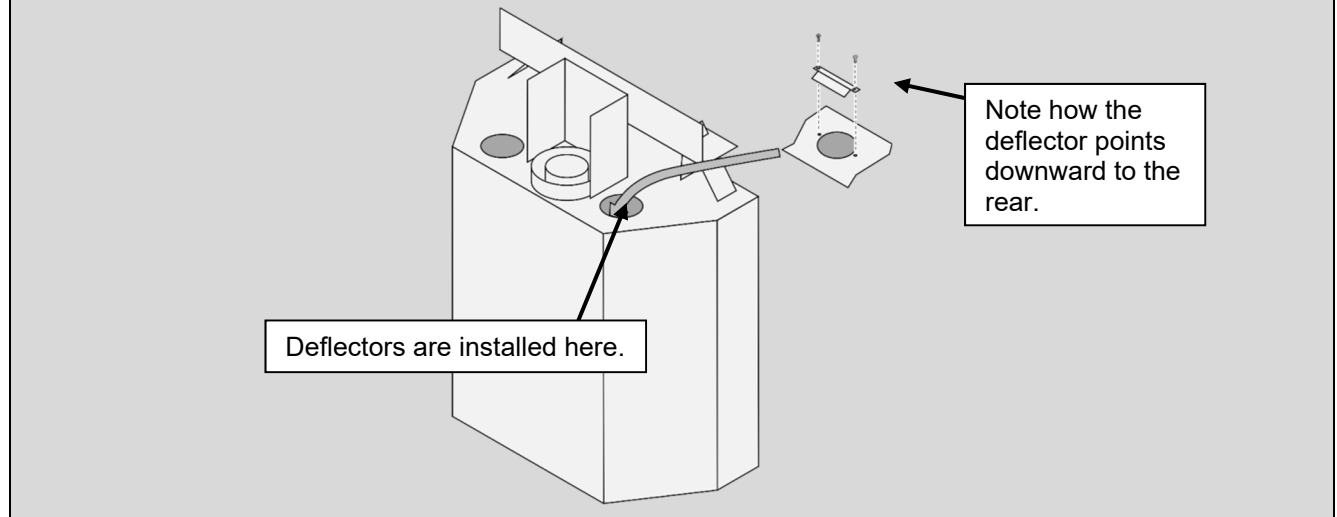


- 3 Under each knock out plate, you will find a cover plate held in place with (2) ¼" screws. Use a nut driver or drill with an extension to remove the (2) screws. Reach in and remove the cover plate. You may discard the plates.

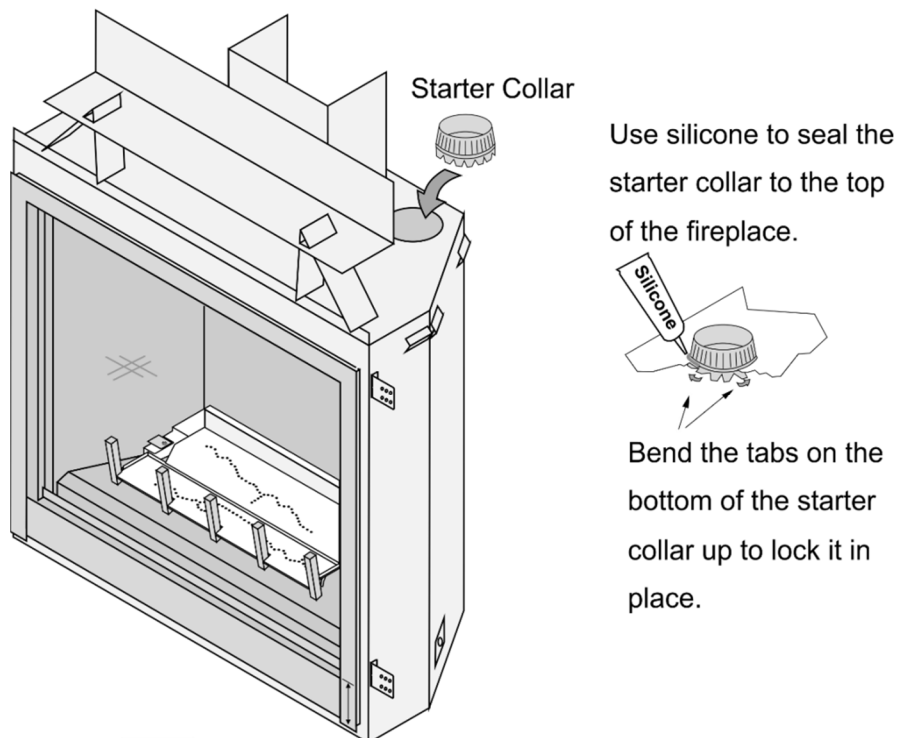


PB 36CF ONLY - Convection Air Deflectors

On the PB 36CF, you will need to install the Convection Air Deflectors on both air openings. After removing the cover plates, install the deflectors as shown below.



- 4 Insert a starter collar into each of the (2) holes that were uncovered in the previous step and bend the tabs to secure the starter collar to the fireplace. Seal the joints with silicone caulk or aluminum (U.L. 181A-P) tape.

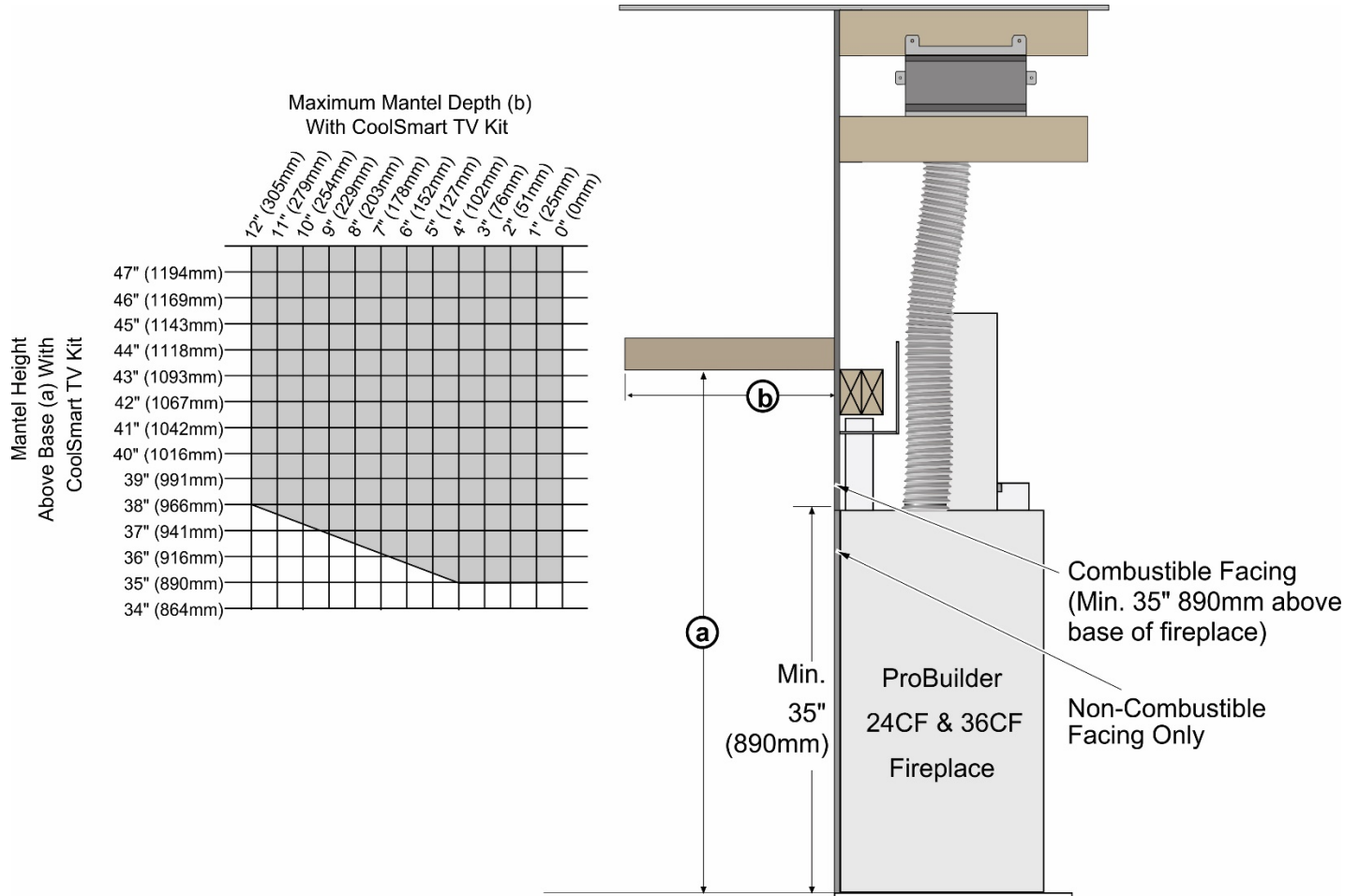


- 5 Install the fireplace into the framed chase.

PB 24CF & PB 36CF - Reduced Mantel Clearance

When using this kit, disregard the combustible mantel requirements in the manual and follow the requirements shown to the right. If you wish to place a TV above the mantel, it must meet the following requirements:

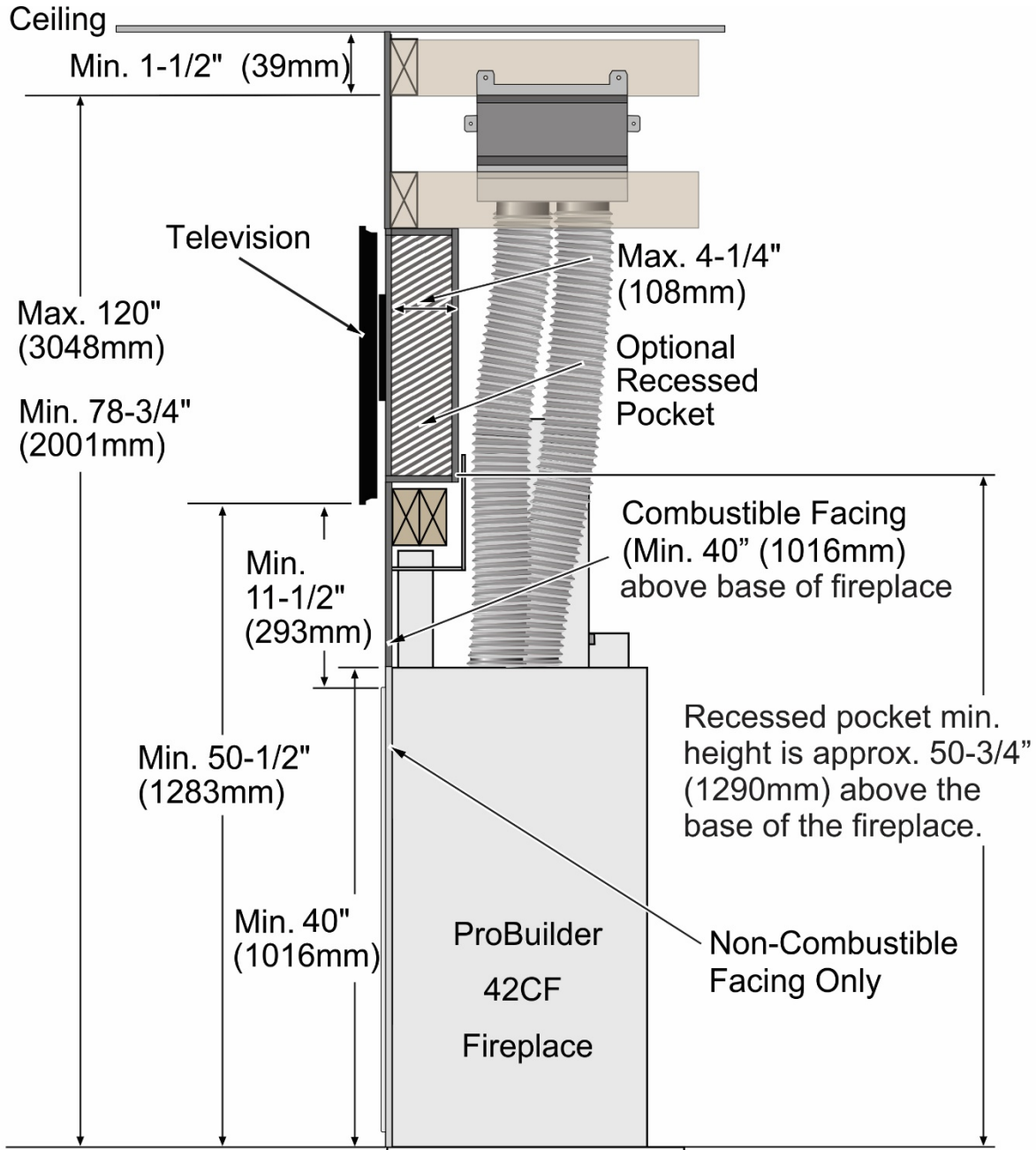
- Minimum 1" air gap behind the TV to the wall.
- The mantel must extend 2" in front of the TV and 1" to both sides.



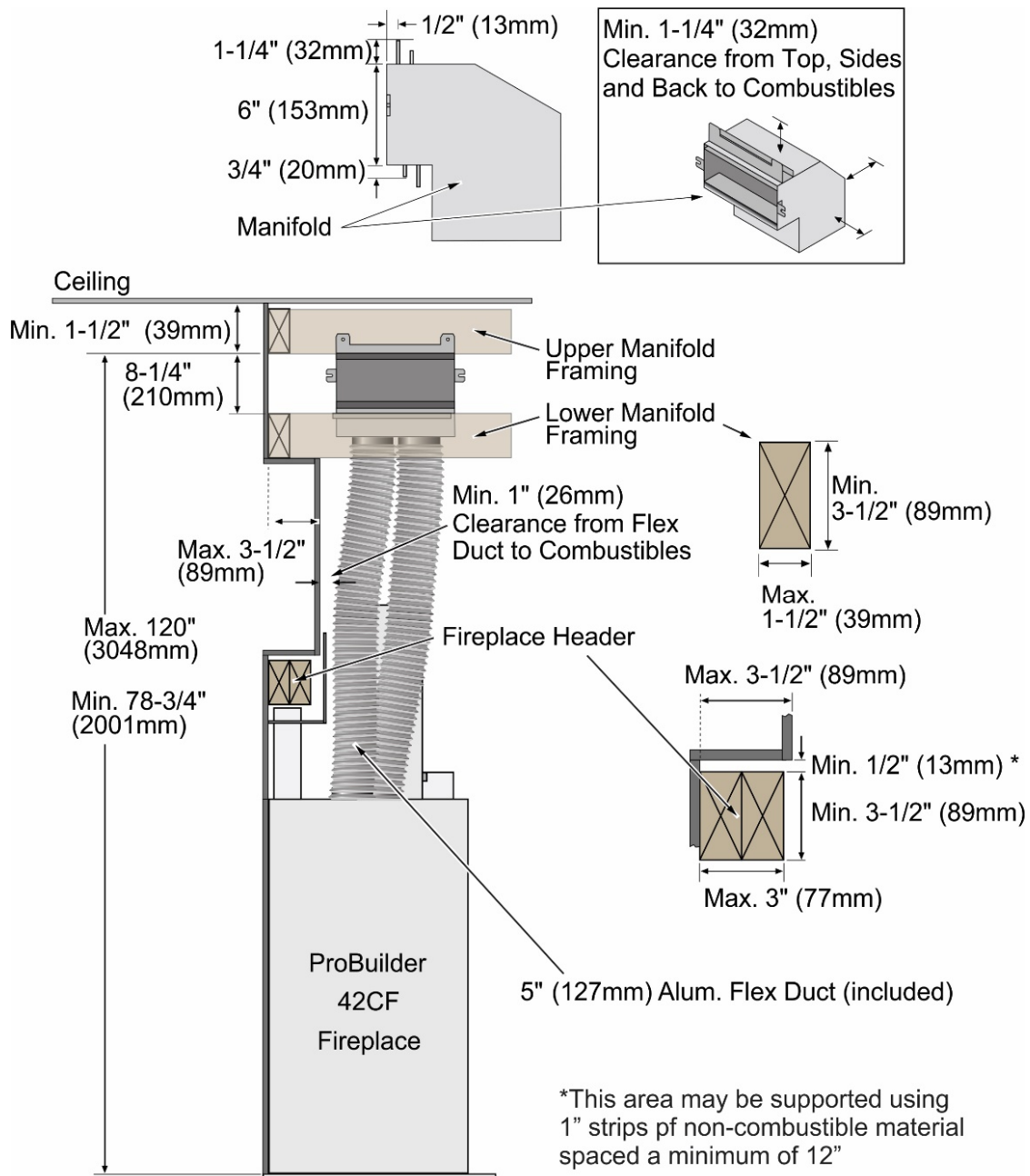
PB 42 CF – Details

PB 42 CF - Installation Overview

The CoolSmart system is designed to redirect the convective heat of the fireplaces from the front of the unit, just above the glass, to a location higher on the wall. The use of this kit allows for reduced clearances to televisions and a recessed cavity above the fireplace. When using this kit, disregard the standard framing dimensions and follow the framing instructions for the CoolSmart kit.

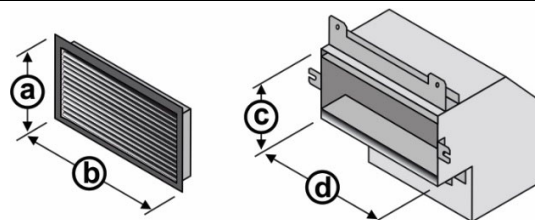


PB 42 CF - Installation Requirements



Grille and Manifold Dimensions

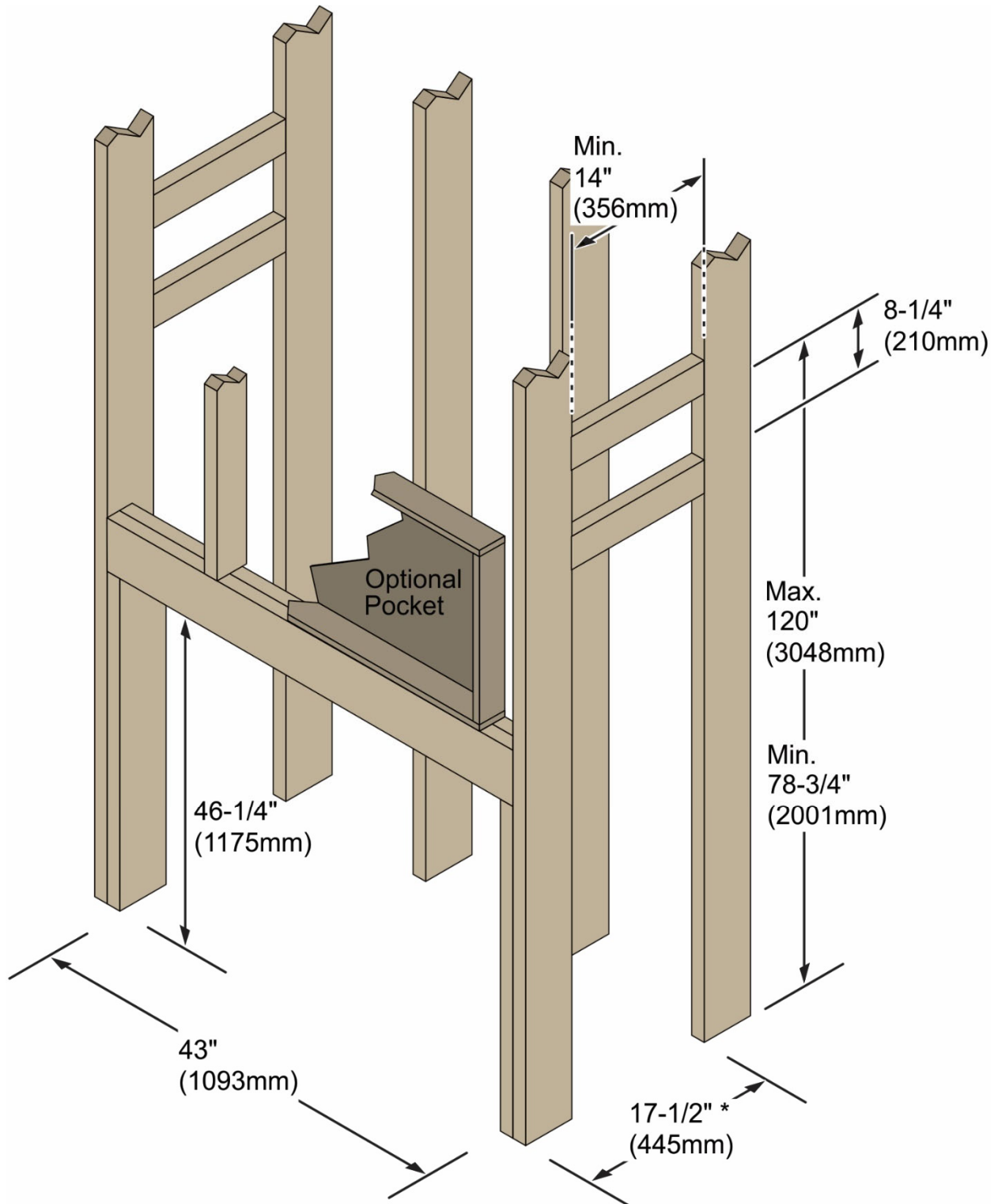
The grille may be installed over the facing to provide an aesthetic opening for the convection outlet. (2) #8 x 1-1/2" screws attach the trim to the finish material.



Dimensions

a	b	c	d
7-3/4" (197mm)	13-3/4" (350mm)	6" (153mm)	11-1/2" (293mm)

PB 42 CF - Framing the Chase

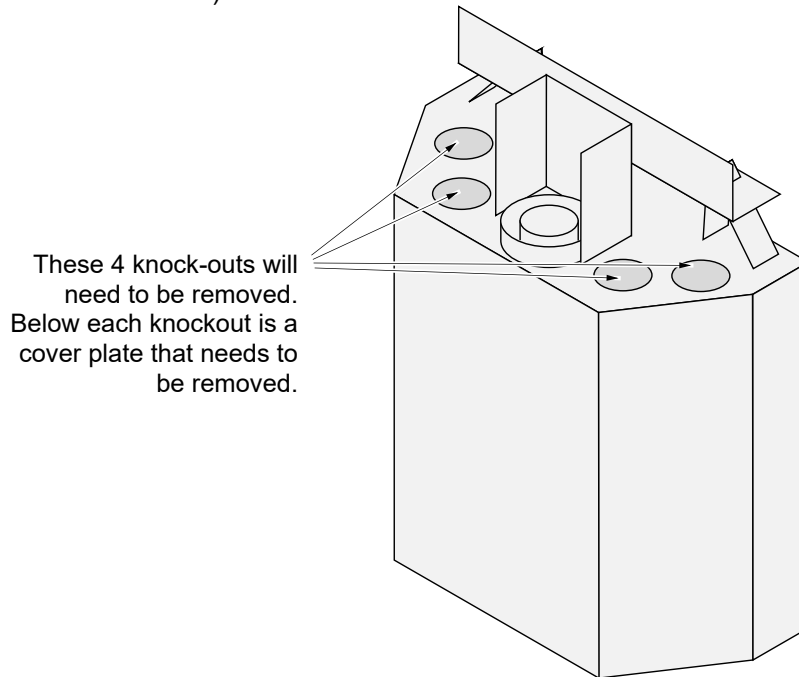


* The dimension shown is the minimum depth when the manifold is installed in the typical orientation to the side of the chase (based on the width of the manifold). If installing the manifolds in an alternate location or different orientation, the chase may be framed to the fireplaces minimum framing depth (see appliance manual for details).

PB 42 CF - Fireplace Preparation

WARNING: In order to extract the heat properly from around the firebox, you must remove (2) layers of cover plates for each of the flex attachment points on the top of the fireplace. Not removing all of the cover plates can create hazardous conditions.

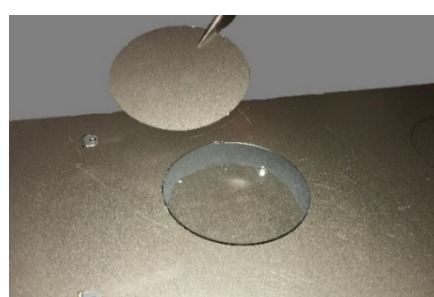
- 1 Remove the (4) knock-outs on the top of the fireplace and the (4) cover-plates located below the knockouts (see illustration below).



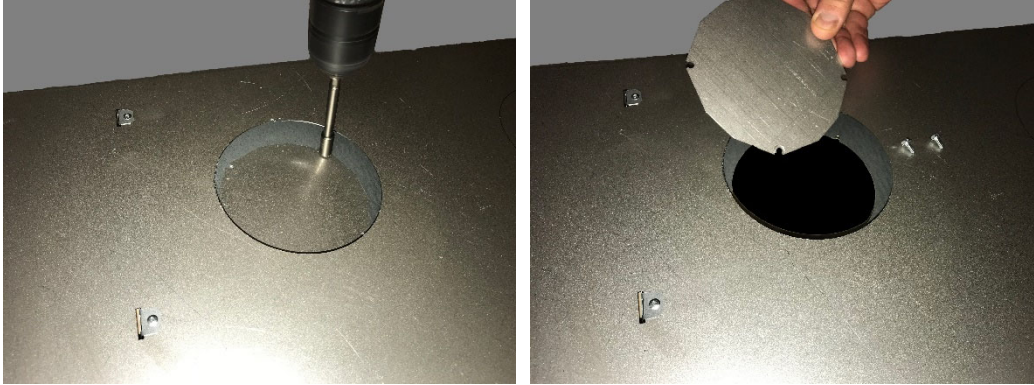
- 2 Use snips or diagonal cutters to snip the tab on the knockouts. Press on the far side away from the tap to pop the edge of the knockout up.



- 3 Grab on to the knockout with pliers and bend it back and forth until the remaining tabs break free. Discard the knock out plate.

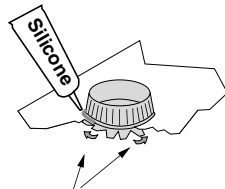


- 4 Under each knock out plate, you will find a cover plate held in place with (2) ¼" screws. Use a nut driver or drill with an extension to remove the (2) screws. Reach in and remove the cover plate. You may discard the plates.

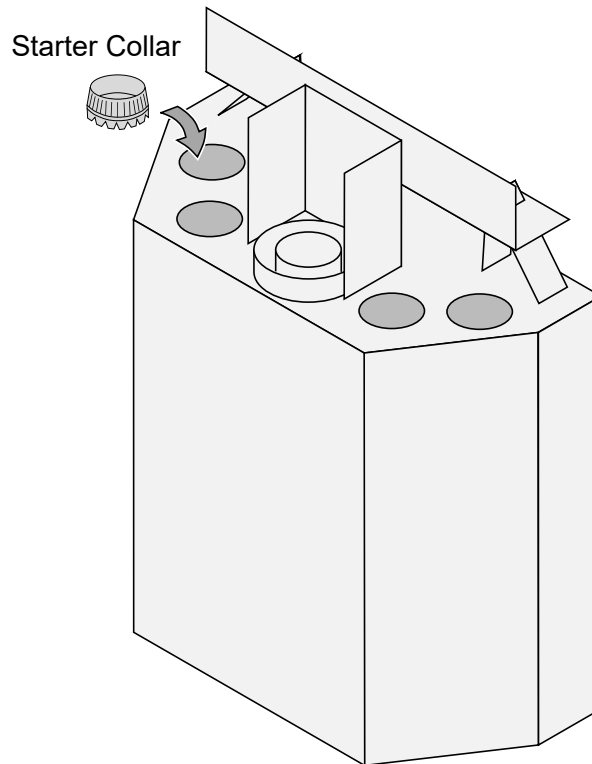


- 5 Insert a starter collar into each of the holes that were uncovered in the previous step and bend the tabs to secure the starter collar to the fireplace. Seal the joints with silicone caulk or aluminum (U.L. 181A-P) tape

Use silicone to seal the starter collar to the top of the fireplace.



Bend the tabs on the bottom of the starter collar up to lock it in place.



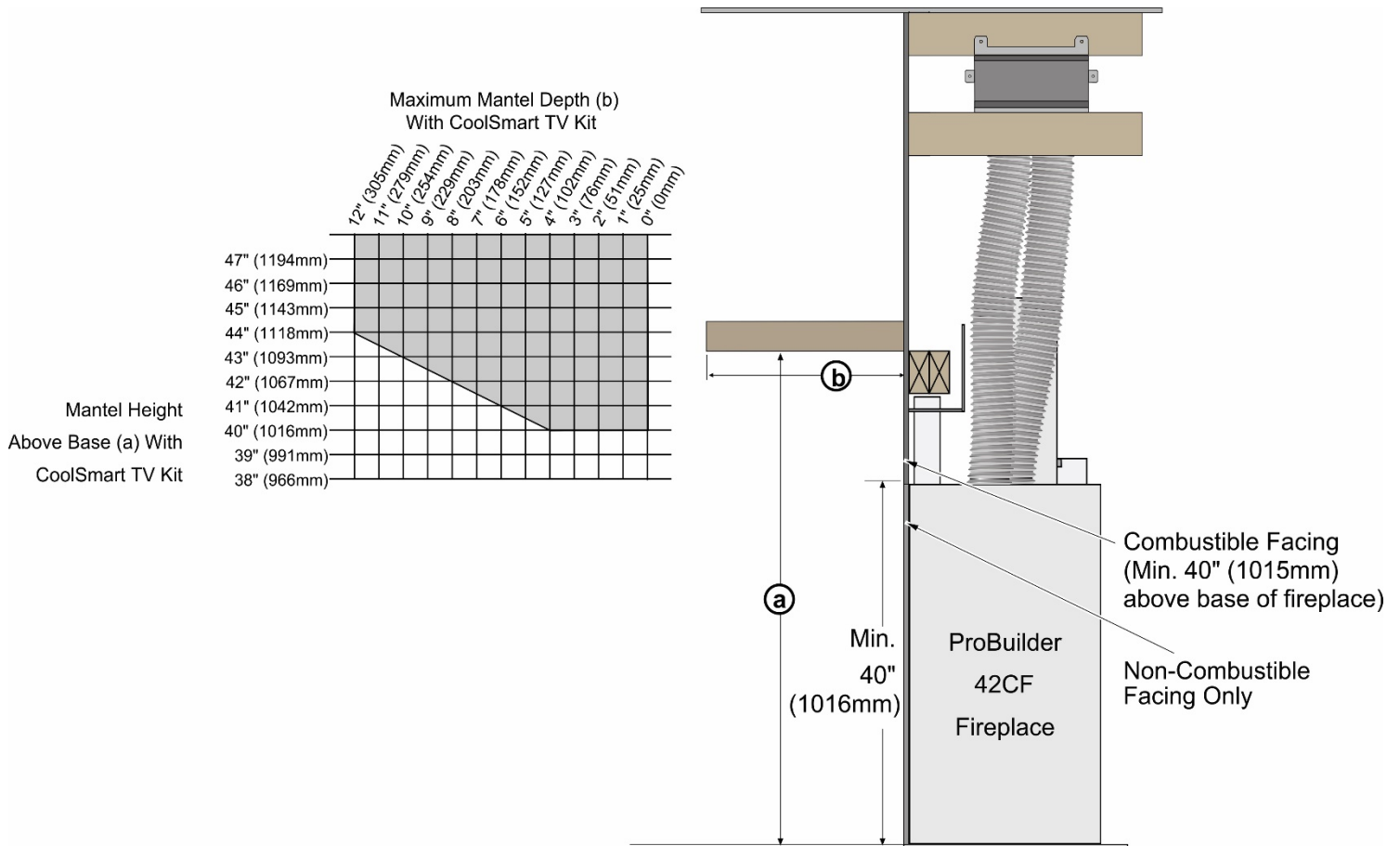
- 6 Install the fireplace into the framed chase. See section "Installation" in the manual.

PB 42 CF - Reduced Mantel Clearance

When using this kit, disregard the combustible mantel requirements in the manual and follow the requirements shown to the right.

If you wish to place a TV above the mantel, it must meet the following requirements:

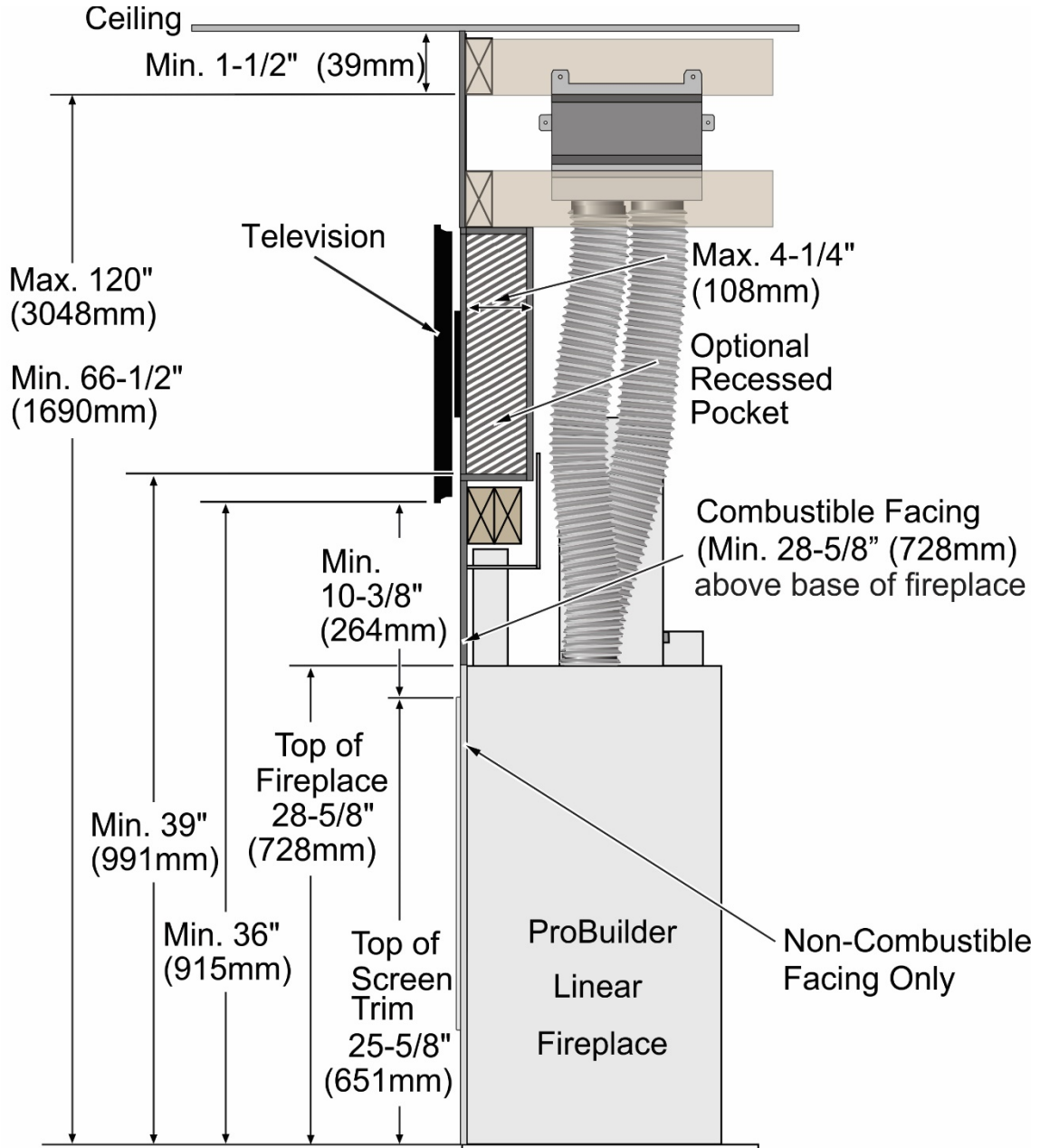
- Minimum 1" air gap behind the TV to the wall.
- The mantel must extend 2" in front of the TV and 1" to both sides.



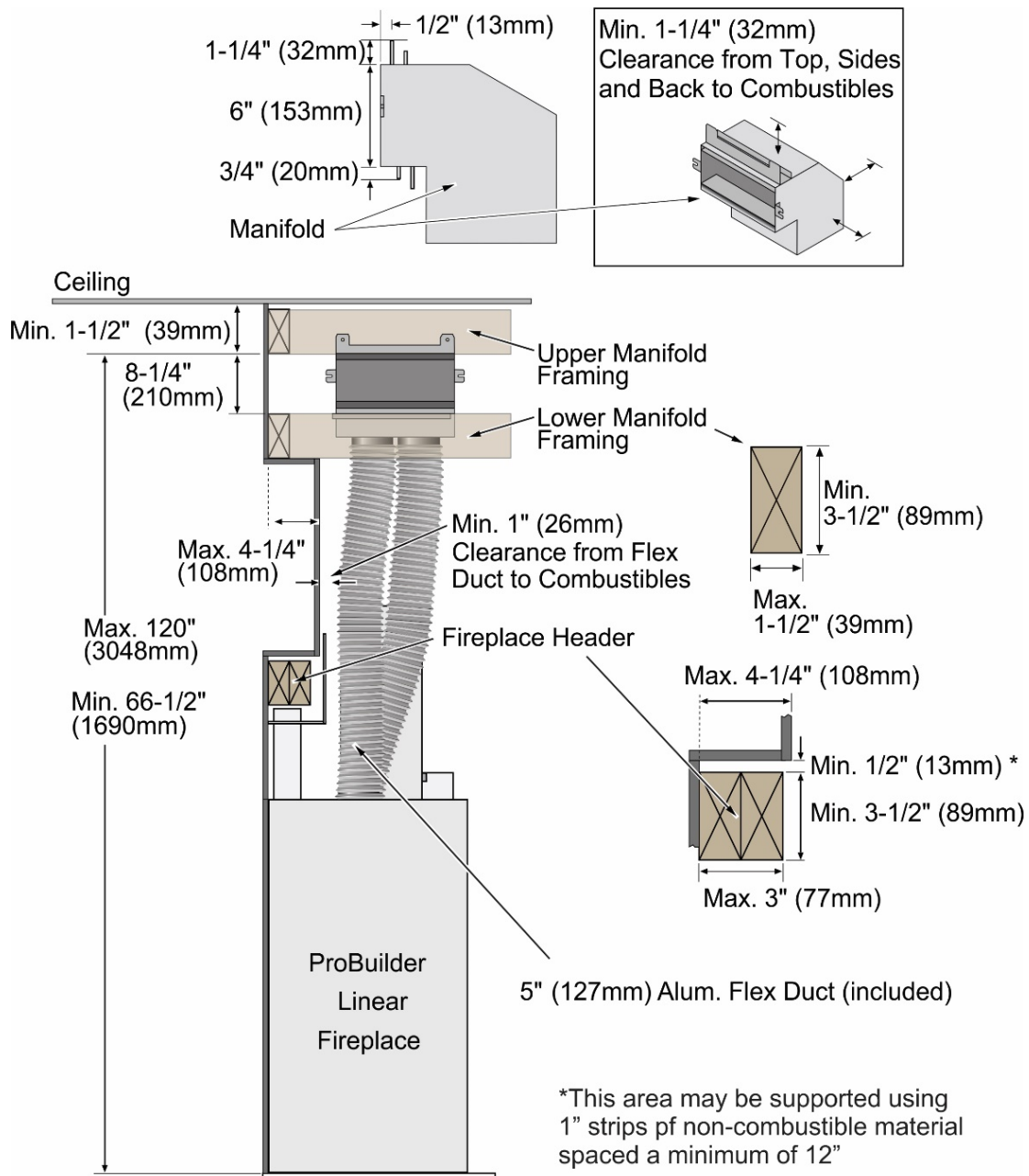
PB 42, 54, & 72 Linear – Details

PB 42, 54, & 72 - Overview

The CoolSmart system is designed to redirect the convective heat of the fireplaces from the front of the unit, just above the glass, to a location higher on the wall, just above the glass, to a location higher on the wall. The use of this kit allows for reduced clearances to televisions and a recessed cavity above the fireplace. When using this kit, disregard the standard framing dimensions and follow the framing instructions for the CoolSmart kit.

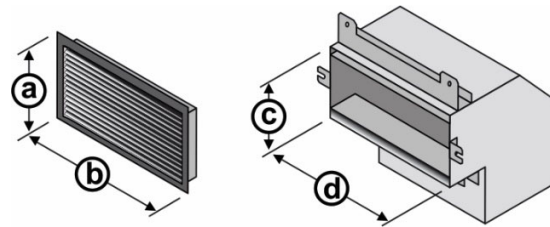


PB 42, 54, & 72 Linear - Installation Requirements



Grille and Manifold Dimensions

The grille may be installed over the facing to provide an aesthetic opening for the convection outlet. (2) #8 x 1-1/2" screws attach the trim to the finish material.



Dimensions

a	b	c	d
7-3/4" (197mm)	13-3/4" (350mm)	6" (153mm)	11-1/2" (293mm)

PB 42, 54, & 72 Linear - Combustible "Over-Facing" (Optional)

! WARNING !

When using the CoolSmart TV kit, Combustible material can be installed over the non-combustible board on the front of the fireplace. To be clear, there will be (2) layers of board over the front of the appliance, one **non-combustible that covers the entire front of the fireplace**, and a second layer that can be combustible material that is placed on top of the non-combustible board.

The combustible material MUST be installed OVER 1/2" of non-combustible board.

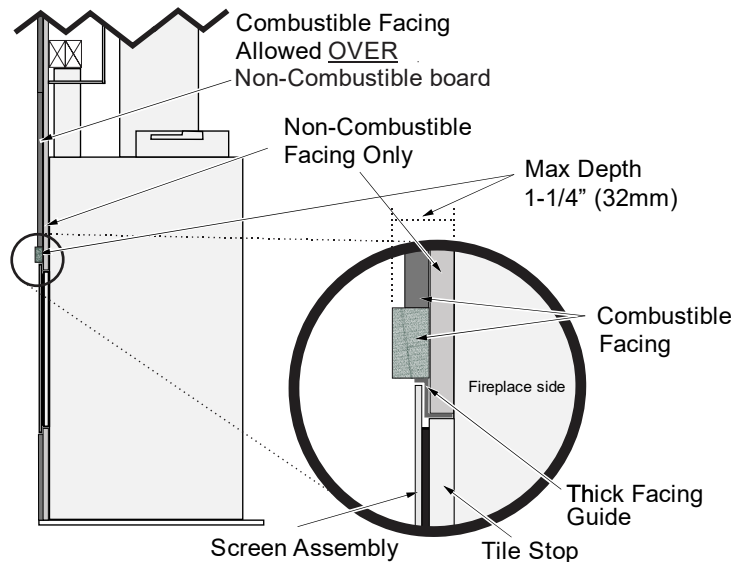
NOTE: The maximum facing depth (combustible + non-combustible facing) is 1-1/4". Any facing that extends farther than 1-1/4" must meet mantel clearances.

WARNING: The front of the appliance is subject to high temperatures which may cause discoloration and/or material degradation. Take this into account when choosing finishing materials.

Installation With Thick Facing Guide (facing butts thick facing guide) - STANDARD

NOTE: Leave the thick facing guide in place on the fireplace.

NOTE: The screen assembly mounts should be left in the stock position (all the way in).



Installation Without Thick Facing Guide (screen assembly overlaps facing)

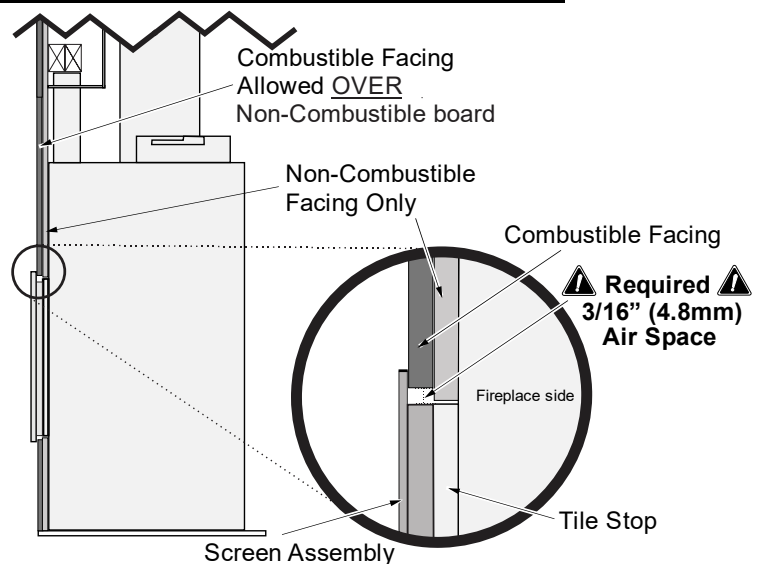
Note: Remove the thick facing guide on the fireplace (it is not used with this configuration).

Note: The screen assembly mounts will need to be moved out to accommodate the thickness of the facing (see installation manual for details).

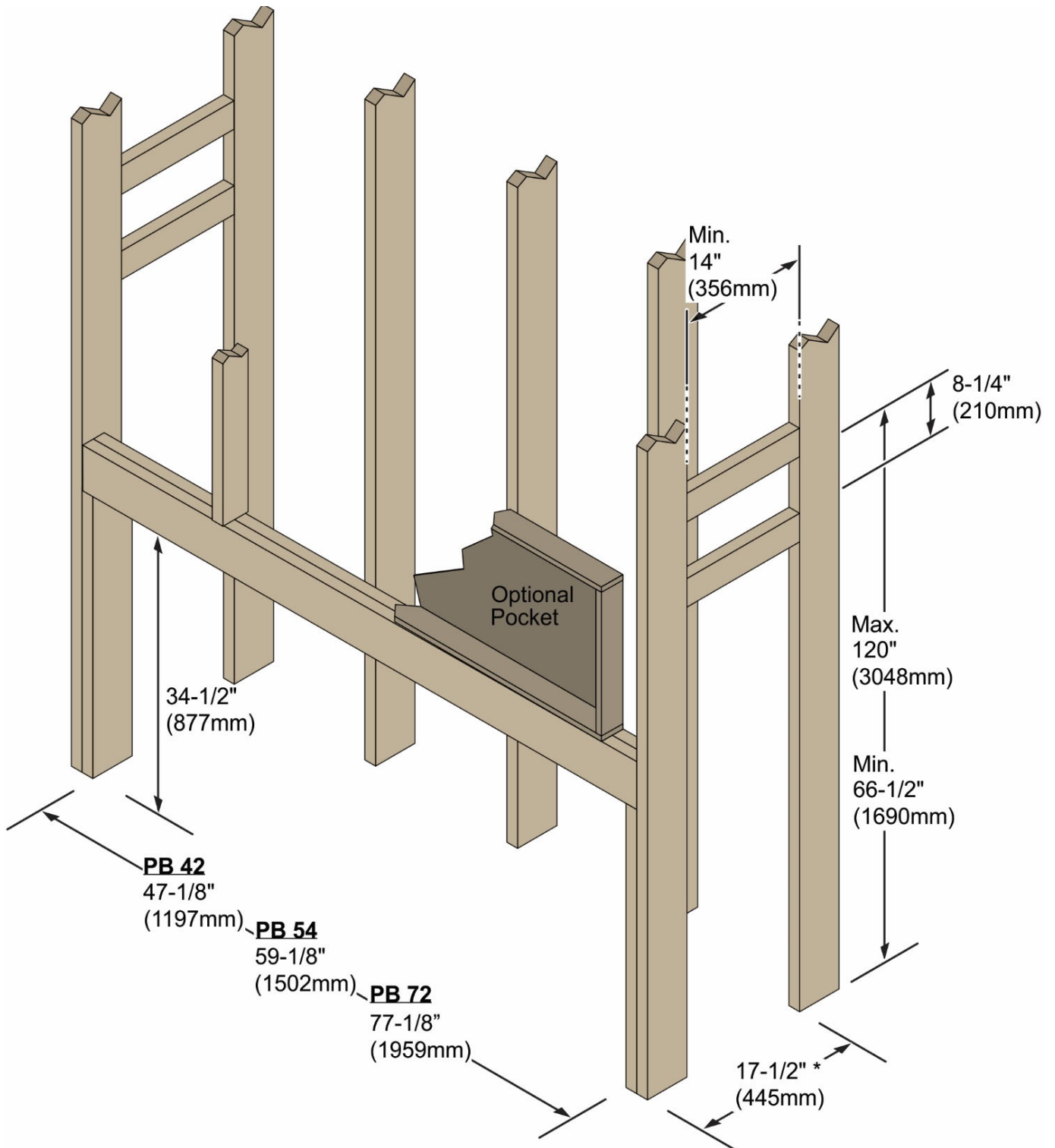


Warning:

When not using the thick facing guide, a 3/16" (4.8mm) air space is required from all four sides of the tile stop on the fireplace to the combustible facing (see details below).



PB 42, 54, & 72 Linear - Framing the Chase

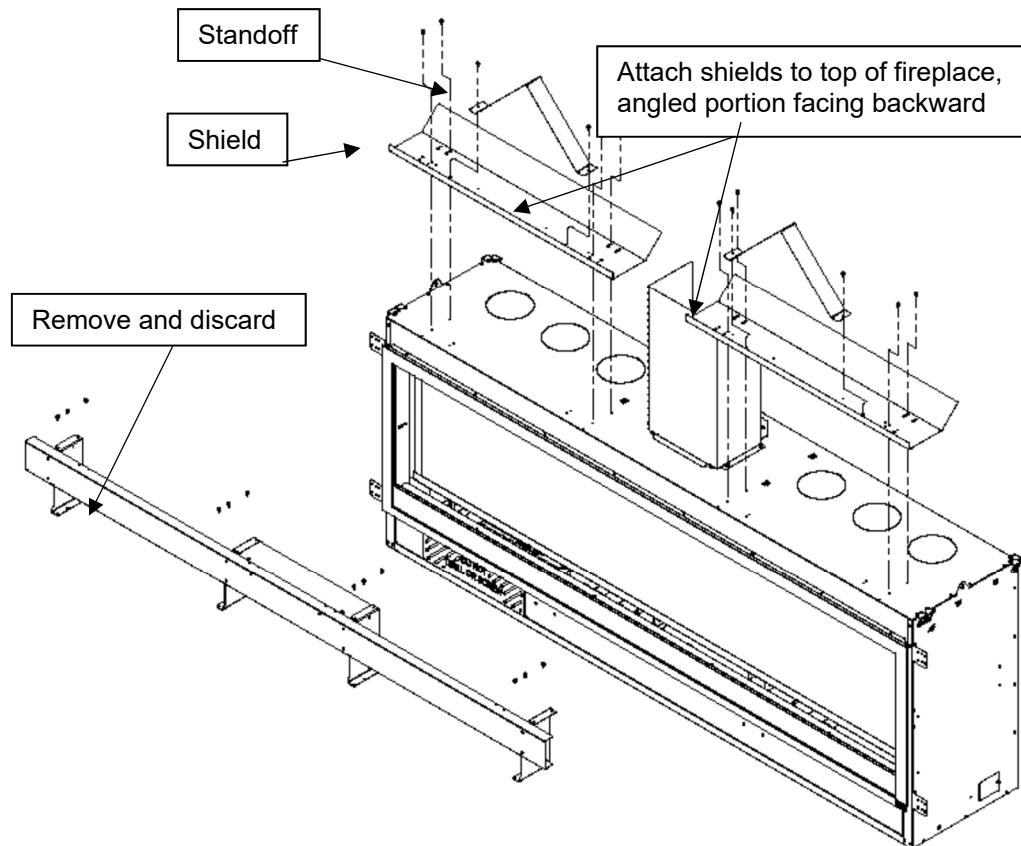


* The dimension shown is the minimum depth when the manifold is installed in the typical orientation to the side of the chase (based on the width of the manifold). If installing the manifolds in an alternate location or different orientation, the chase may be framed to the fireplaces minimum framing depth (see appliance manual for details).

PB 42, 54, & 72 Linear - Fireplace Preparation

ProBuilder 72 Only - Fireplace Preparation

1. Prepare the fireplace for installation into the framing by removing the two shields from the top of the header standoff assembly. Remove the standoffs from the shields. Set the shields, standoffs, and fasteners aside for reinstallation.
2. Remove the header standoff assembly from the top of the fireplace by removing the (12) ¼" screws securing it to the unit. Discard the assembly.
3. Install the two shields directly to the top of the fireplace. The upward slanted portion of the shield faces the back of the fireplace.



4. Bend up the "V" shaped standoffs and attach them to the top of the shields

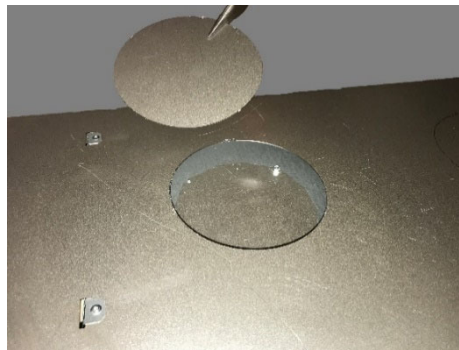
PB 42, 54, & 72 Linear - Fireplace Preparation (continued)

WARNING: In order to extract the heat properly from around the firebox, you must remove (2) layers of cover plates for each of the flex attachment points on the top of the fireplace. Not removing all of the cover plates can create hazardous conditions.

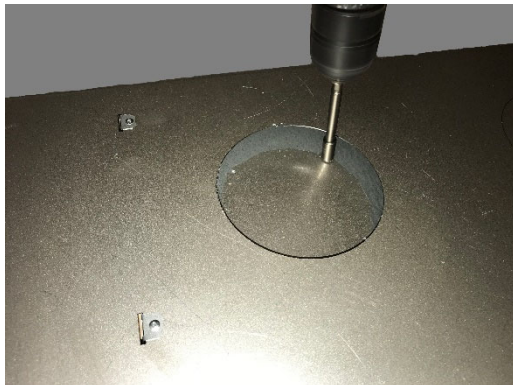
1. Use snips or diagonal cutters to snip the tab on the knockouts. Press on the far side away from the tap to pop the edge of the knockout up.



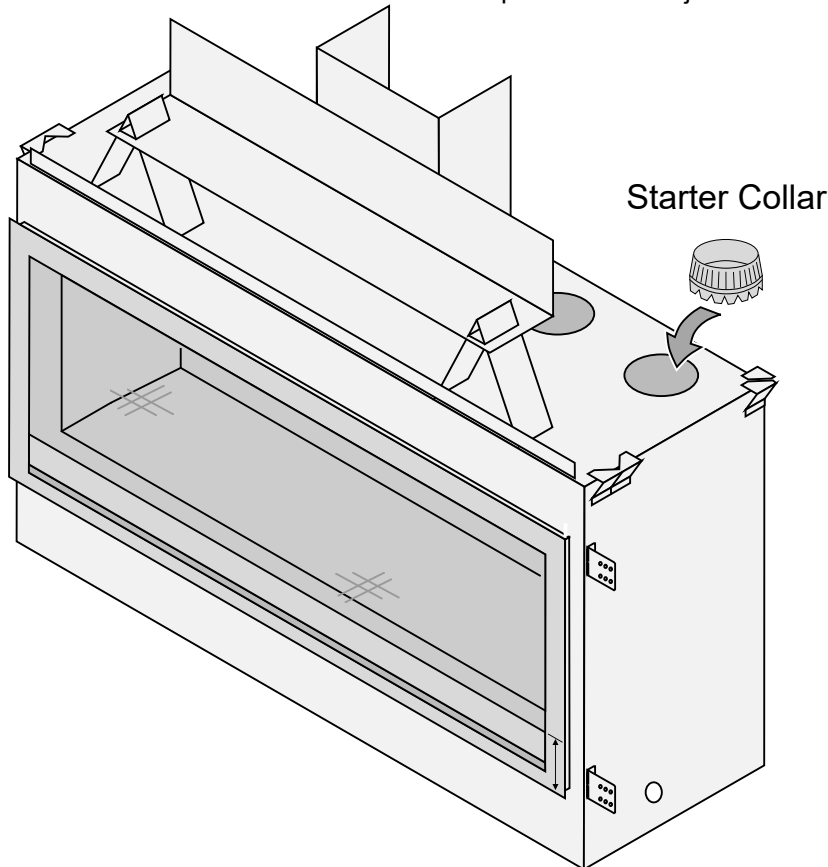
2. Grab on to the knockout with pliers and bend it back and forth until the remaining tabs break free. Discard the knock out plate.



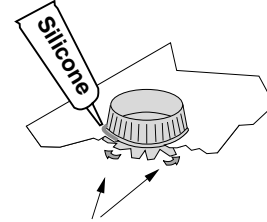
3. Under each knock out plate, you will find a cover plate held in place with (2) 1/4" screws. Use a nut driver or drill with an extension to remove the (2) screws. Reach in and remove the cover plate. You may discard the plates.



4. Insert a starter collar into each of the holes that were uncovered in the previous step and bend the tabs to secure the starter collar to the fireplace. Seal the joints with silicone caulk or aluminum (U.L. 181A-P) tape



Use silicone to seal the starter collar to the top of the fireplace.



Bend the tabs on the bottom of the starter collar up to lock it in place.

5. Install the fireplace into the framed chase. See section "Installation" in the manual.

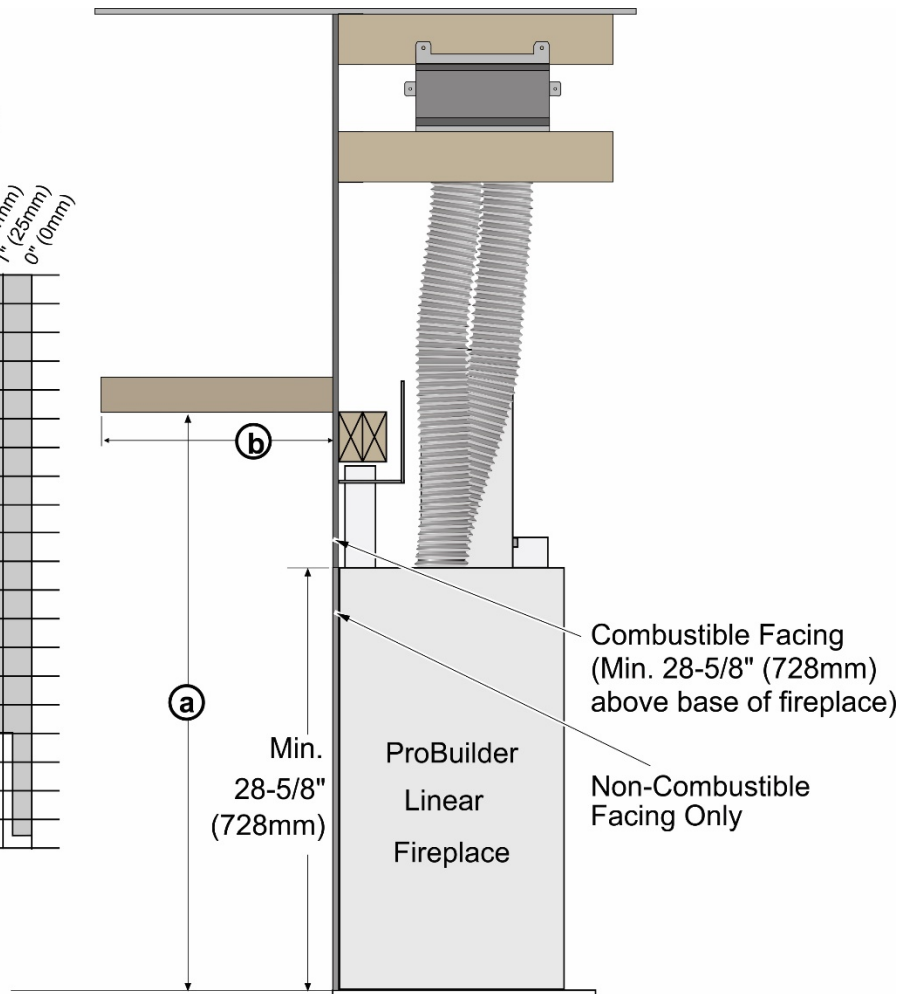
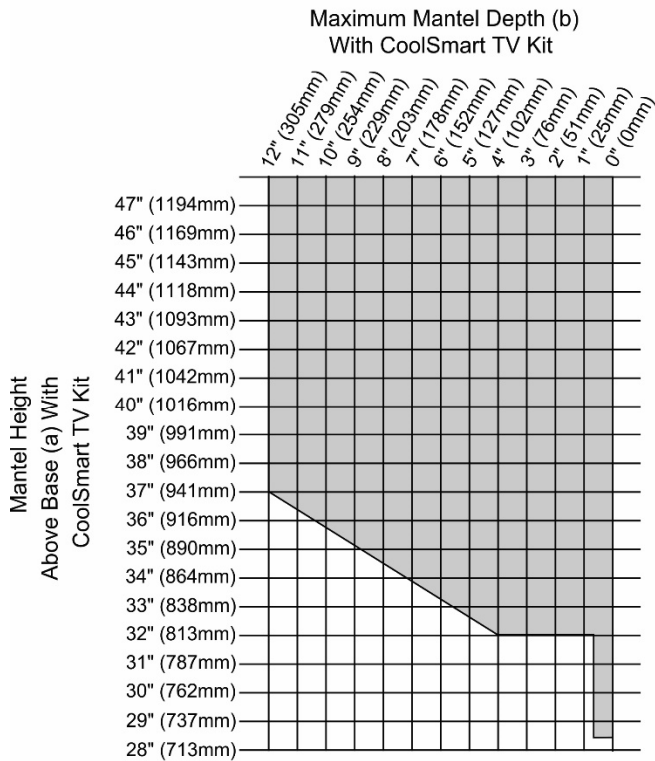
NOTE: With the use of this kit, the clearance to combustible material may be reduced. Combustible material may be installed to the top of the fireplace box. Non-combustible is still required on all front surfaces of the fireplace box.

PB 42, 54, & 72 Linear - Reduced Mantel Clearance

When using this kit, disregard the combustible mantel requirements in the manual and follow the requirements shown to the right.

If you wish to place a TV above the mantel, it must meet the following requirements:

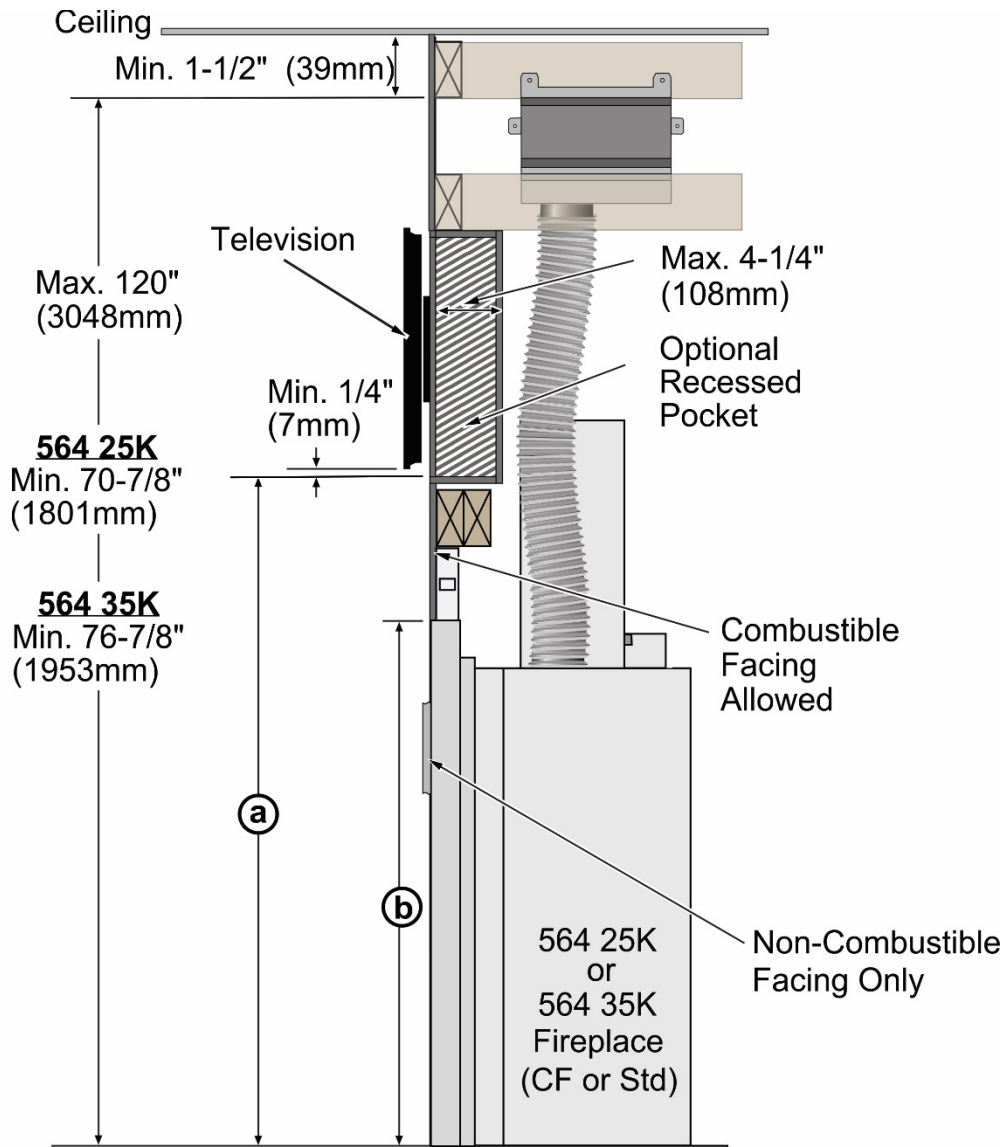
- Minimum 1" air gap behind the TV to the wall.
- The mantel must extend 2" in front of the TV and 1" to both sides.



564 25K & 35K - Details

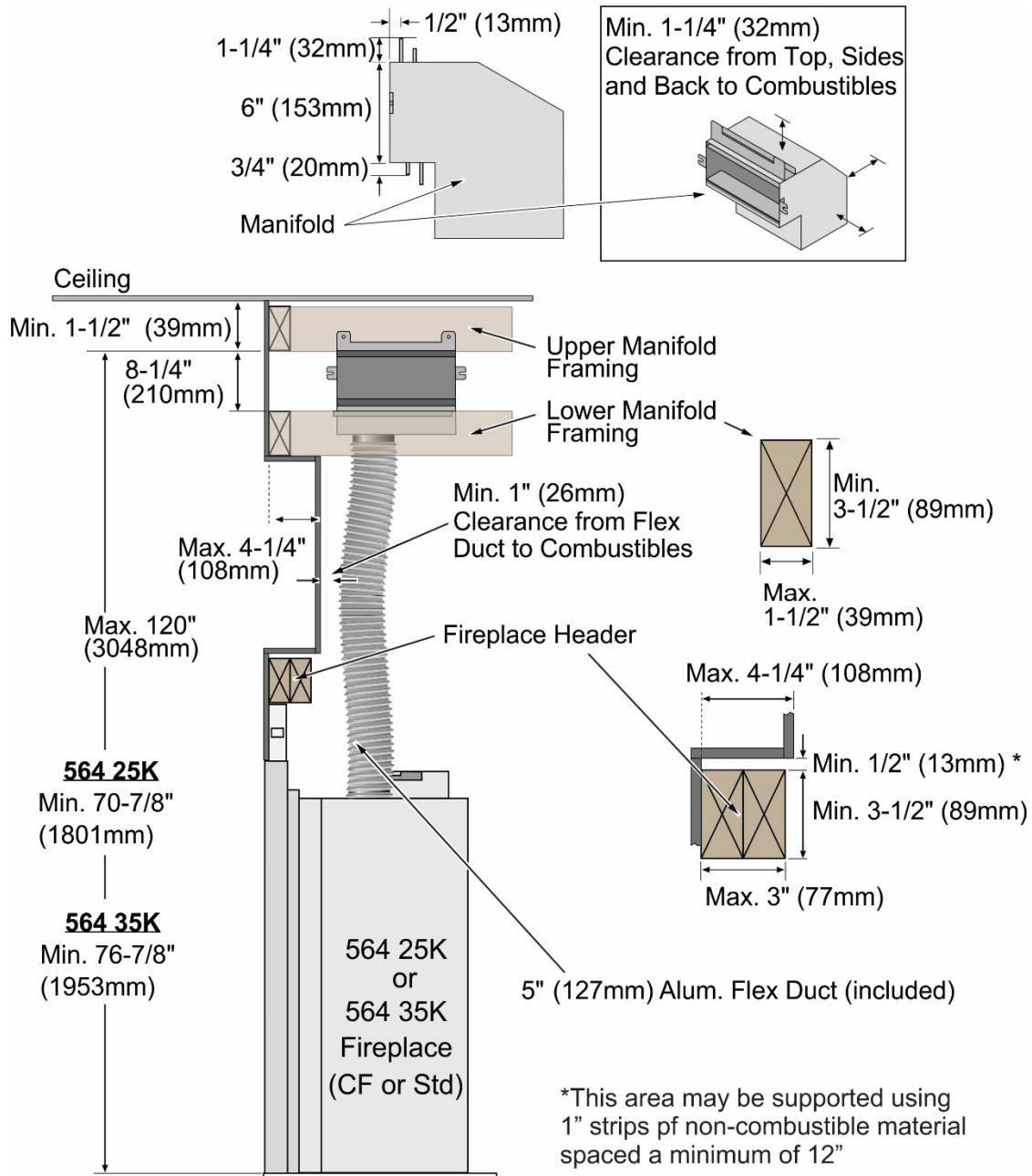
564 25K & 35K - Installation Overview

The CoolSmart system is designed to redirect the convective heat of the fireplaces from the front of the unit, just above the glass, to a location higher on the wall. The use of this kit allows for reduced clearances to televisions and a recessed cavity above the fireplace. When using this kit, disregard the standard framing dimensions and follow the framing instructions for the CoolSmart kit.



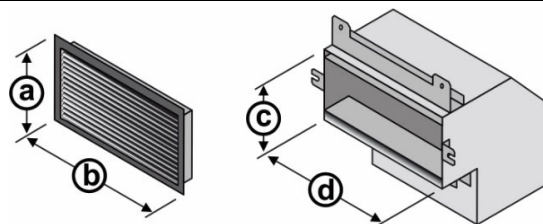
	564 25K CleanFace	564 25K Standard	564 35K CleanFace	564 35K Standard
a	41-3/8" (1051mm)	41-3/8" (1051mm)	47-3/8" (1203mm)	47-3/8" (1203mm)
b	33-1/8" (842mm)	30-1/4" (769mm)	33-1/8" (842mm)	30-1/4" (769mm)

564 25K & 35K - Installation Requirements



Grille and Manifold Dimensions

The grille may be installed over the facing to provide an aesthetic opening for the convection outlet. (2) #8 x 1-1/2" screws attach the trim to the finish material.

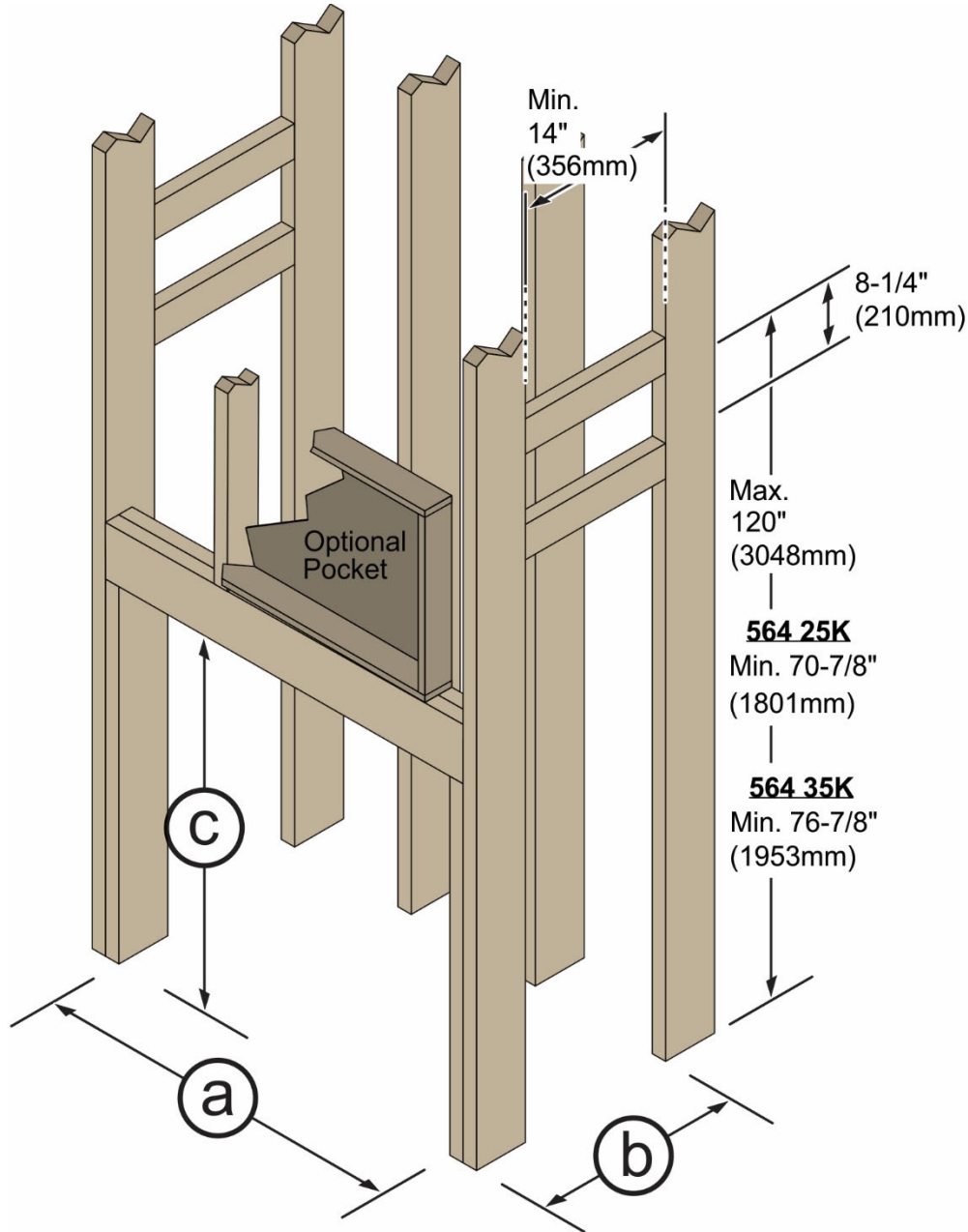


Dimensions

	a	b	c	d
	7-3/4" (197mm)	13-3/4" (350mm)	6" (153mm)	11-1/2" (293mm)

564 25K & 35K - Framing the Chase

When using this kit, disregard the framing dimensions in the manual and follow the framing instructions shown below.

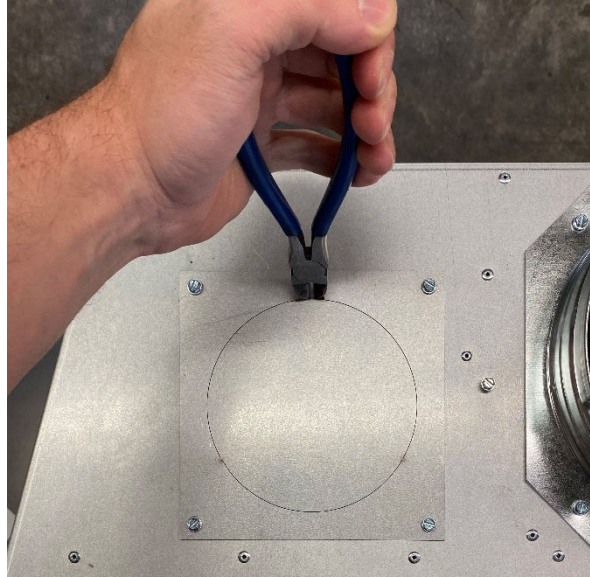


	564 (25K, 35K) Standard	564 (25K,35K) CleanFace
a	37-3/4" (959mm)	38-3/4" (985mm)
b	17-1/2" (445mm)	19-3/8" (493mm) Flush 18-7/8" (480mm) Extended
c	37-1/4" (947mm)	37-1/4" (947mm)

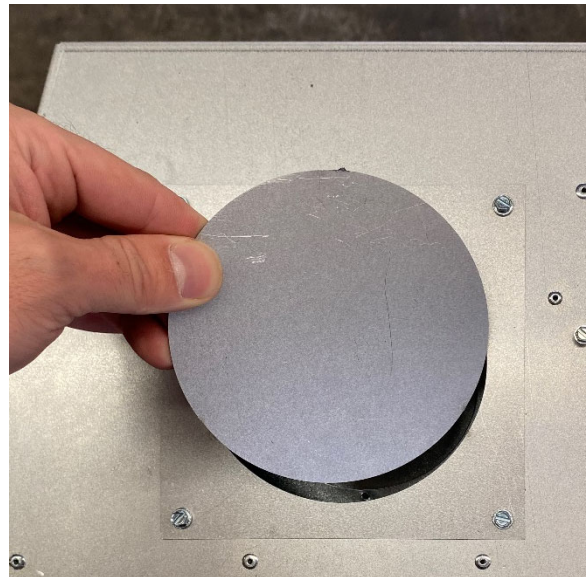
564 25K & 35K - Fireplace Preparation

WARNING: In order to extract the heat properly from around the firebox, you must remove (3) layers of cover plates for each of the flex attachment points on the top of the fireplace. Not removing all of the cover plates can create hazardous conditions.

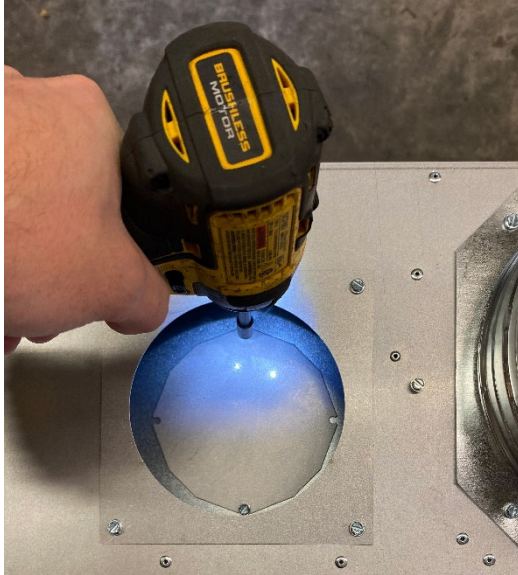
1. Remove the knockouts from the top of the fireplace. Use snips or diagonal cutters to snip the tab on the knockouts. Press on the far side away from the top to pop the edge of the knockout up.



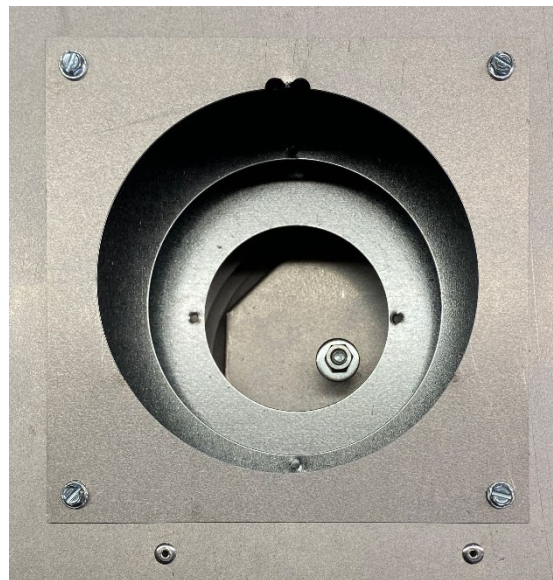
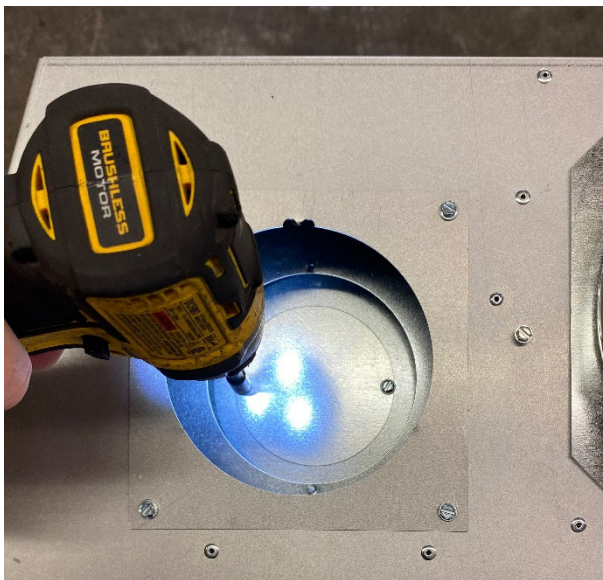
2. Grab on to the knockout with pliers and bend it back and forth until the remaining tabs break free. Discard the knock out plate.



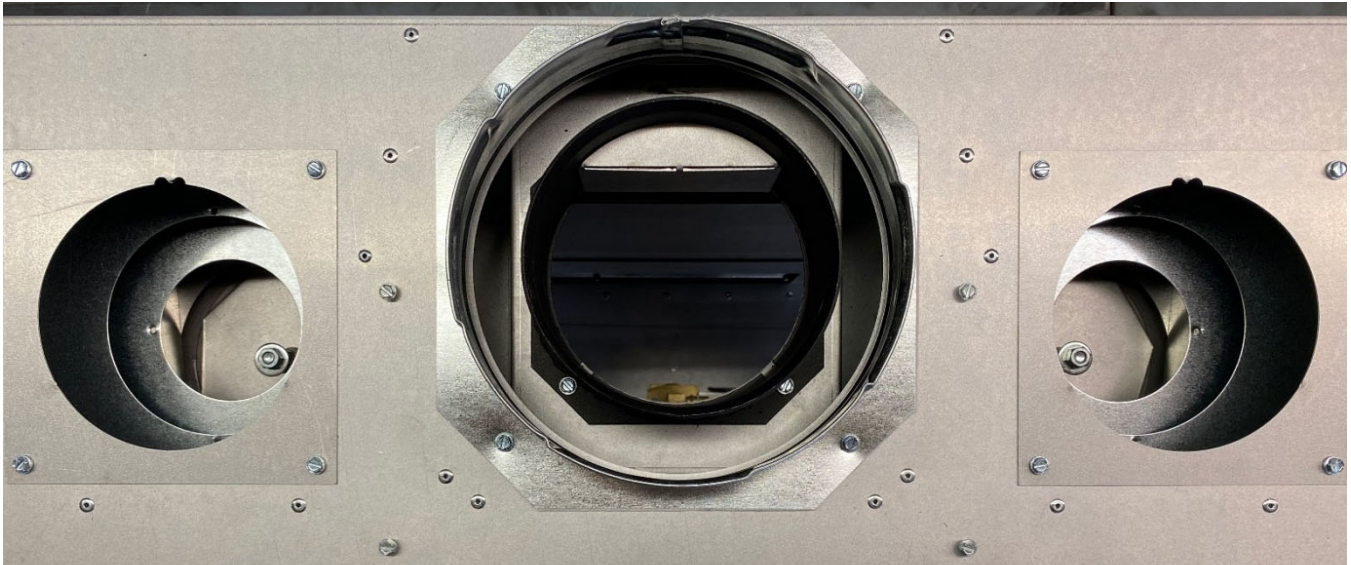
3. Under each knock out plate, you will find a cover plate held in place with (2) ¼" screws. Use a nut driver or drill with an extension to remove the (2) screws. Reach in and remove the cover plate. You may discard the plate.



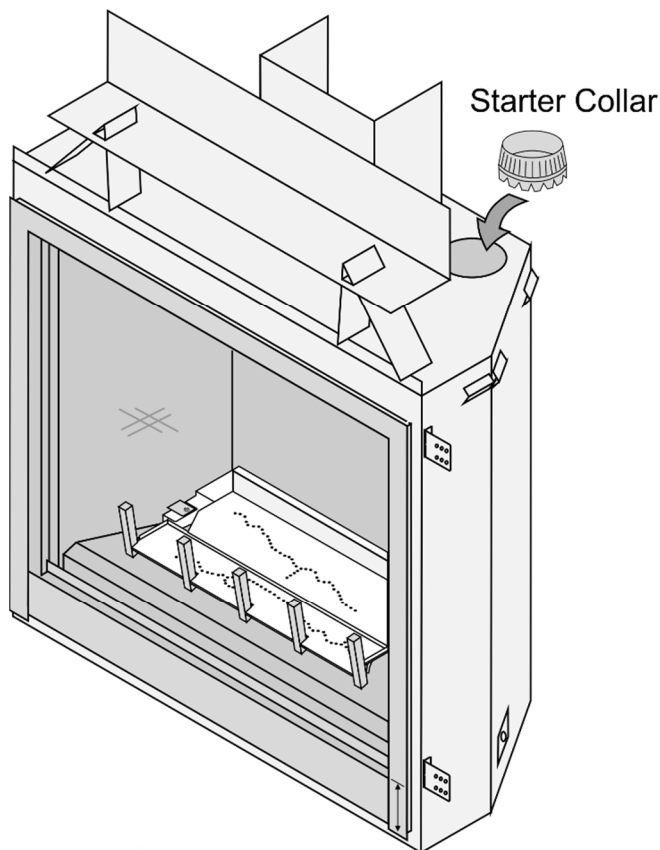
4. You will need to remove a third cover plate on each side. Remove the (2) ¼" screws holding the cover plate in place. Reach in and remove the cover plate. You may discard this plate.



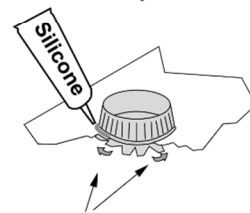
5. Repeat the above steps on the other side of the fireplace



6. Insert a starter collar into each of the (2) holes that were uncovered in the previous step and bend the tabs to secure the starter collar to the fireplace. Seal the joints with silicone caulk or aluminum (U.L. 181A-P) tape.



Use silicone to seal the starter collar to the top of the fireplace.



Bend the tabs on the bottom of the starter collar up to lock it in place.

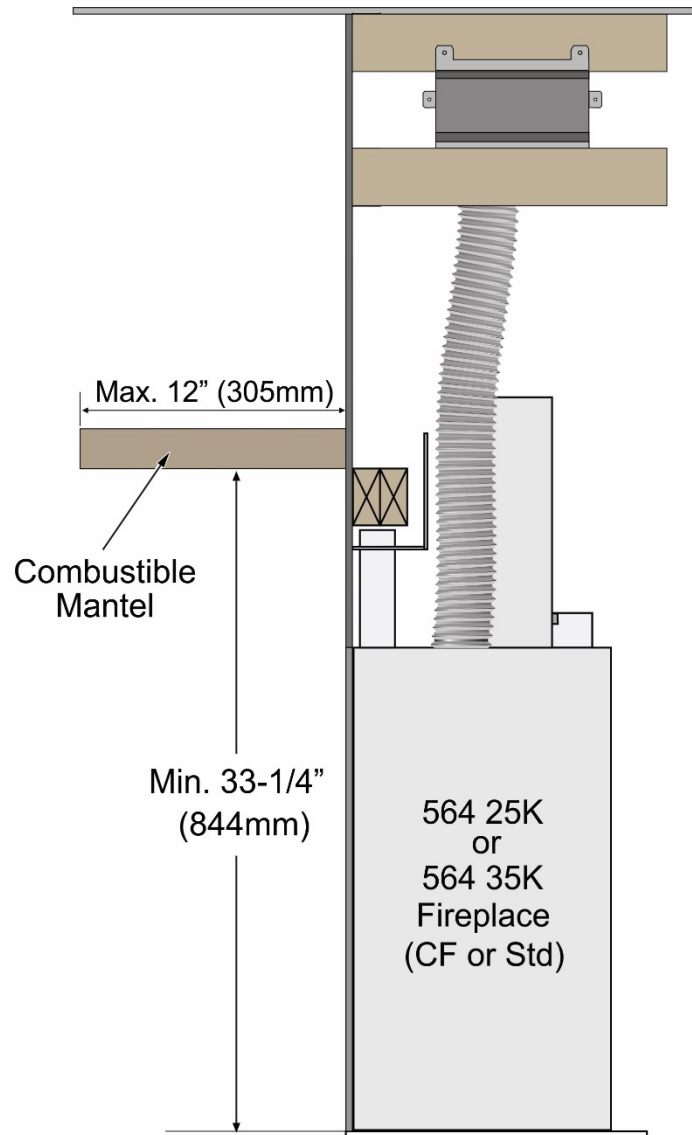
7. Install the fireplace into the framed chase. See section "Installation" in the manual.

564 25K & 35K - Reduced Mantel Clearance

When using this kit, disregard the combustible mantel requirements in the manual and follow the requirements shown to the right.

If you wish to place a TV above the mantel, it must meet the following requirements:

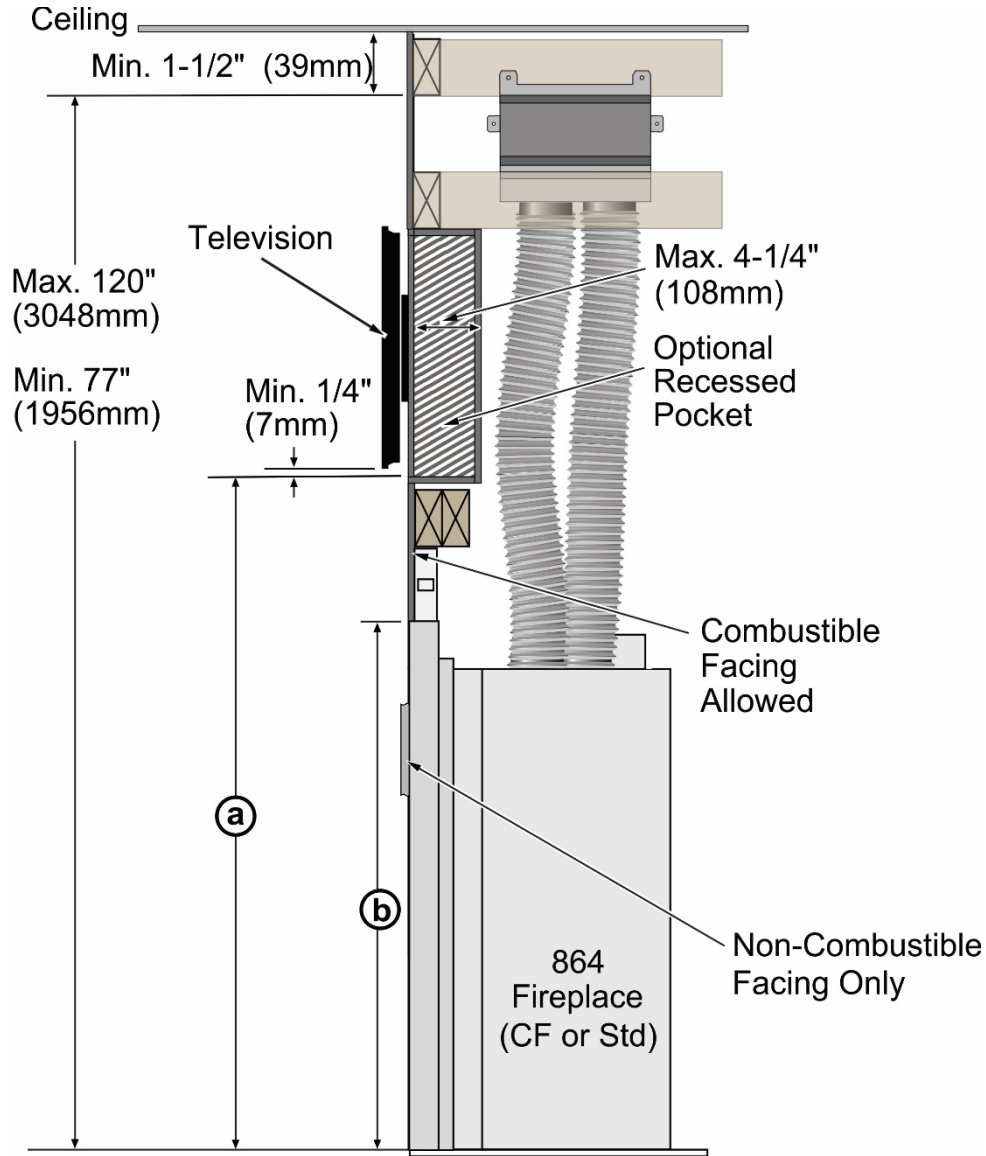
- Minimum 1" air gap behind the TV to the wall.
- The mantel must extend 2" in front of the TV and 1" to both sides.



864 31K & 40K- Details

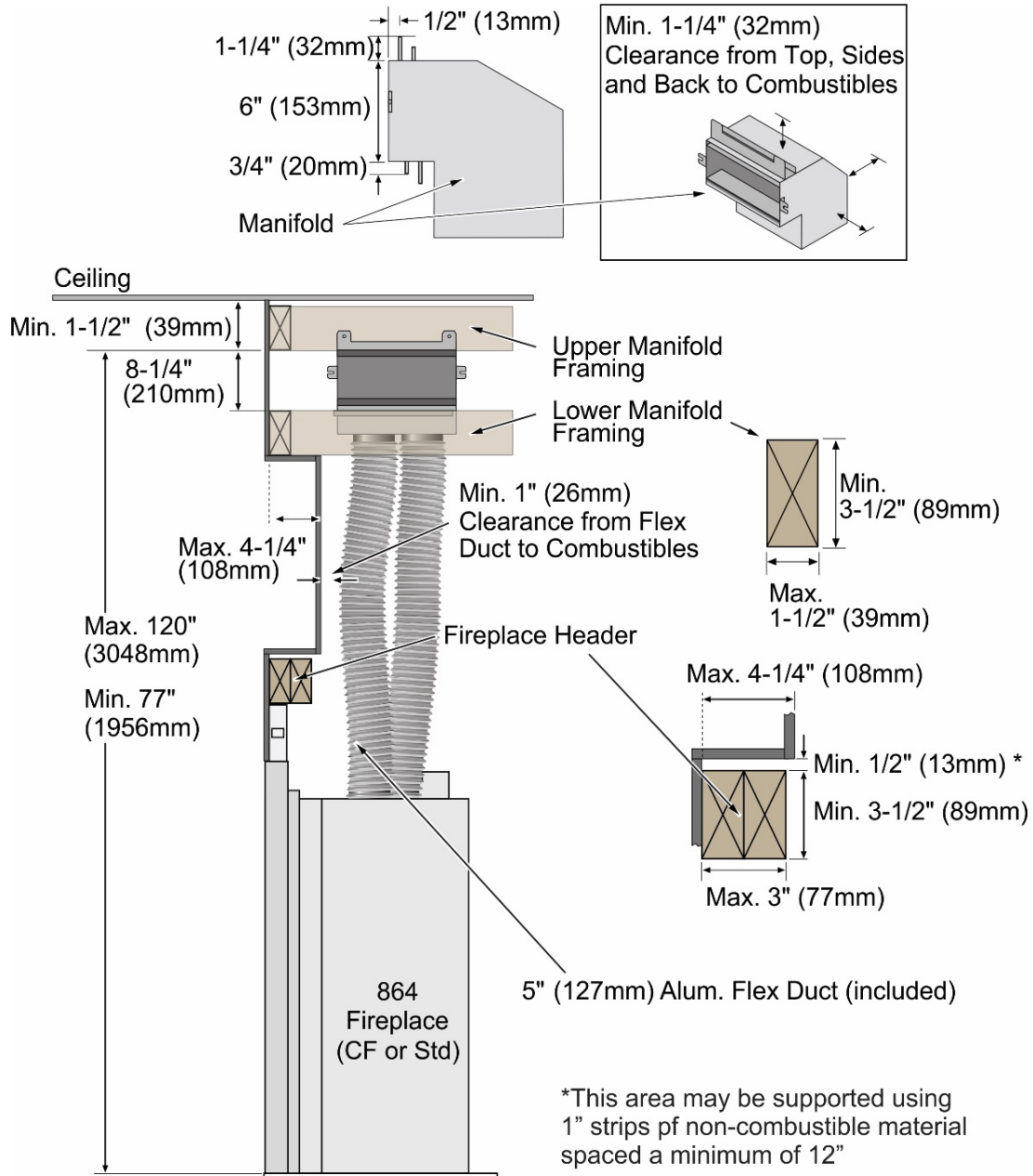
864 31K & 40K - Installation Overview

The CoolSmart system is designed to redirect the convective heat of the fireplaces from the front of the unit, just above the glass, to a location higher on the wall. The use of this kit allows for reduced clearances to televisions and a recessed cavity above the fireplace. When using this kit, disregard the standard framing dimensions and follow the framing instructions for the CoolSmart kit.



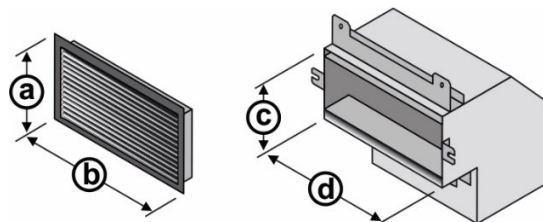
	864 (31K,40K)	864 (31K,40K) CleanFace
a	42-3/4" (1086mm)	49-1/4" (1251mm)
b	36-3/4" (934mm)	39-1/4" (997mm)

864 31K & 40K - Installation Requirements



Grille and Manifold Dimensions

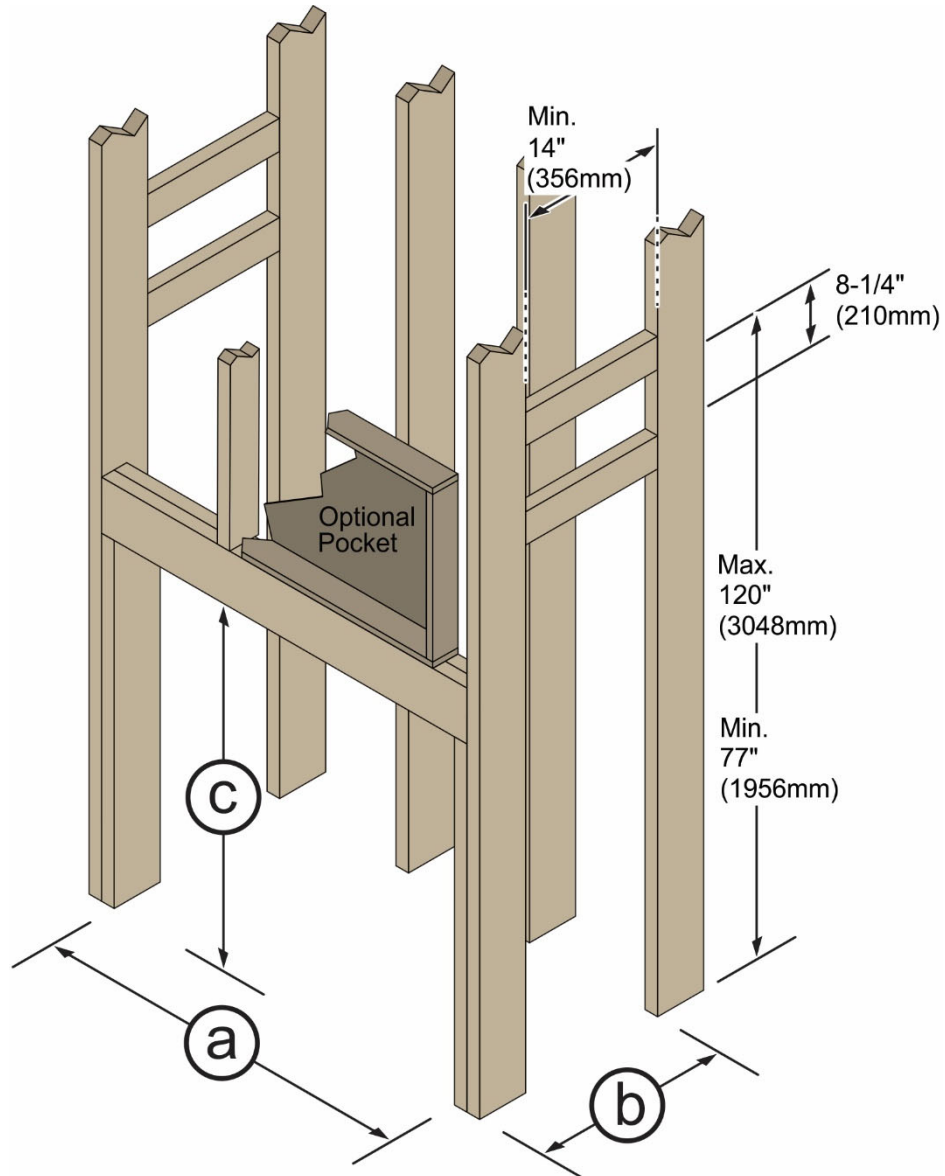
The grille may be installed over the facing to provide an aesthetic opening for the convection outlet. (2) #8 x 1-1/2" screws attach the trim to the finish material.



Dimensions

a	b	c	d
7-3/4" (197mm)	13-3/4" (350mm)	6" (153mm)	11-1/2" (293mm)

864 31K & 40K - Framing the Chase

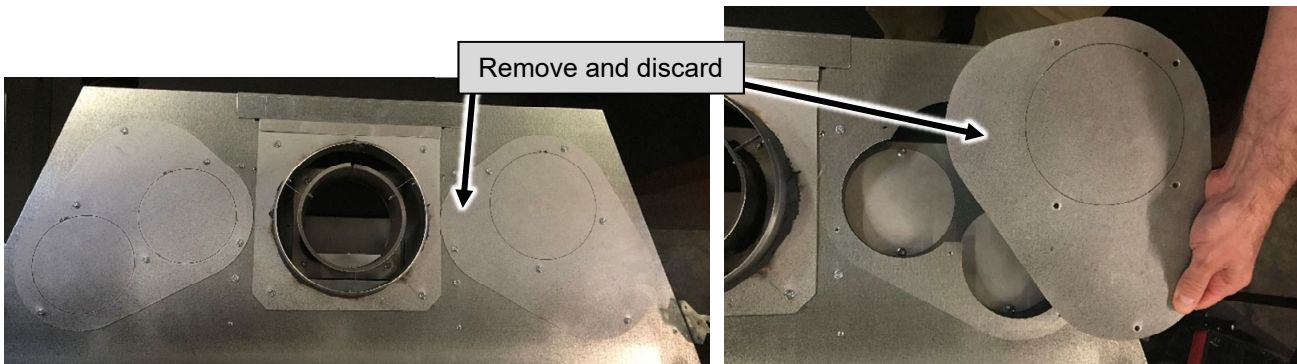


	864 (31K, 40K)	864 (31K, 40K) CleanFace
a	41-1/4" (1048mm)	43" (1093mm)
b	20-3/4" (528mm)	22-1/2" (572mm)
c	38-1/2" (978mm)	45" (1143mm)

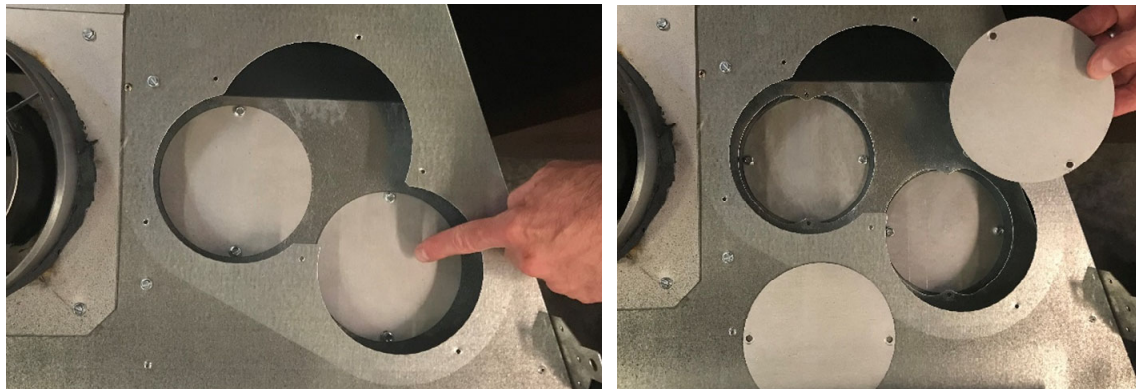
864 31K & 40K - Fireplace Preparation

WARNING: In order to extract the heat properly from around the firebox, you must remove (3) layers of cover plates for each of the flex attachment points on the top of the fireplace. Not removing all of the cover plates can create hazardous conditions.

1. Remove the right cover plate (with the single knockout) from the top of the fireplace and discard it.



2. Remove the (4) screws that secure the two circular cover plates on the next layer of the fireplace. Carefully remove the two plates.

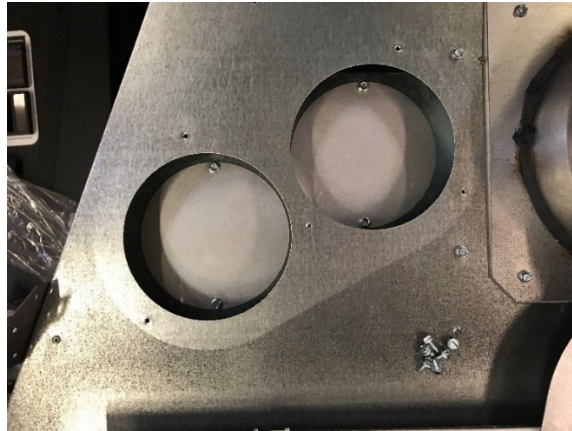


3. Repeat the previous step on the plates on the next layer. You may discard all (4) circular cover plates.

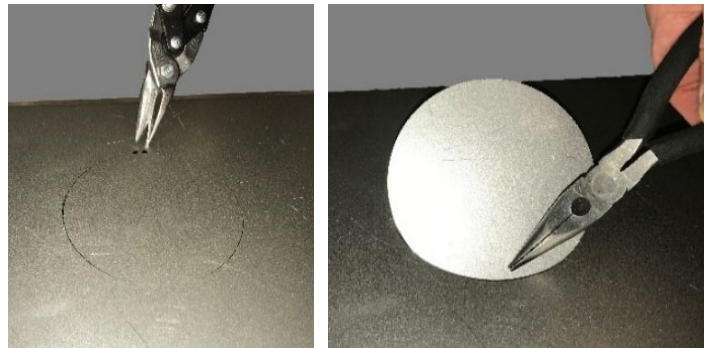


4. Remove the left, top layer, cover plate. Turn it over and then reinstall it in place of the right cover plate removed in step 1. Replace all screws so there are no holes left in the top of the fireplace.

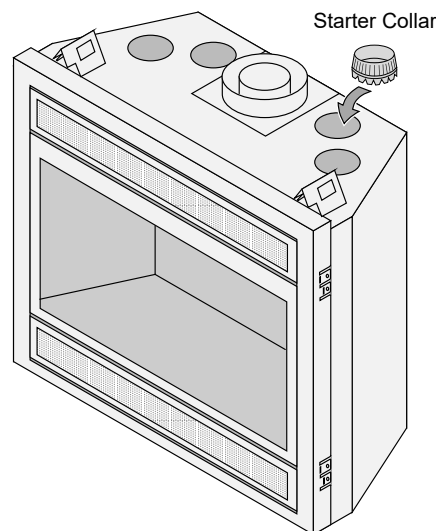
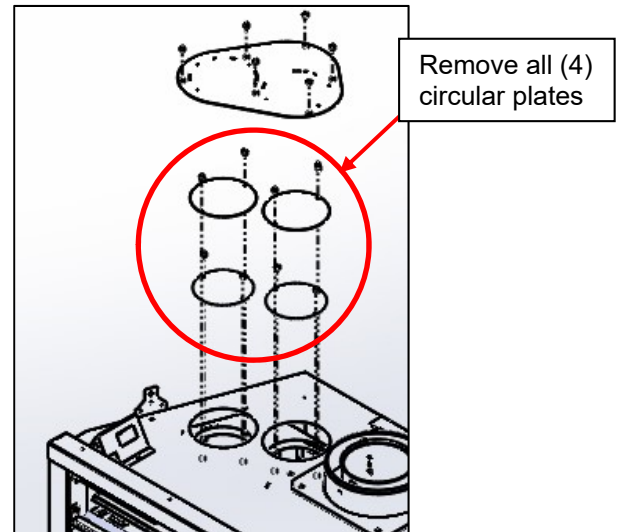
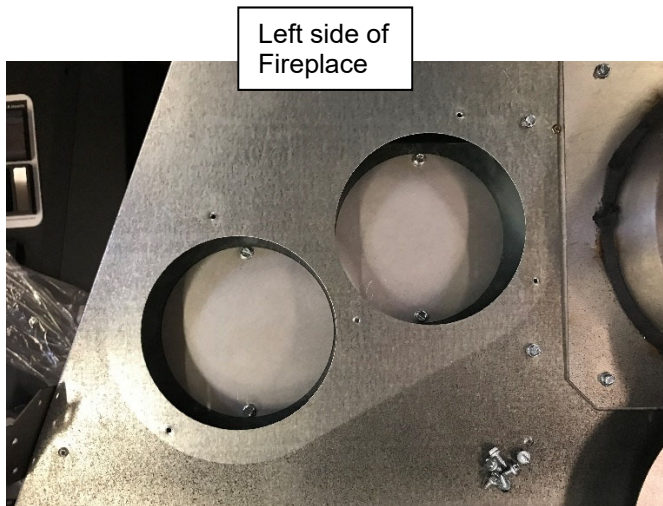
NOTE: Removal of the left cover plate will expose two 5" holes in the top surface of the fireplace.



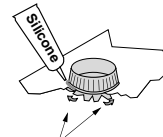
5. Use snips or diagonal cutters to snip the tab on the 2 knockouts located on the cover plate (relocated to the right side in the previous step). Press on the far side away from the tap to pop the edge of the knockout up. Grab on to the knockout with pliers and bend it back and forth until the remaining tabs break free. Repeat this step with the second knockout on the cover plate. Discard the knockouts.



- Remove the (4) circular cover plates from the left side of the fireplace in the same manner described above. Discard the plates.



Use silicone to seal the starter collar to the top of the fireplace.



Bend the tabs on the bottom of the starter collar up to lock it in place.

- Insert a starter collar into each of the holes that were uncovered in the previous step and bend the tabs to secure the starter collar to the fireplace. Seal the joints with silicone caulk or aluminum (U.L. 181A-P) tape
- Install the fireplace into the framed chase. See section "Installation" in the manual.

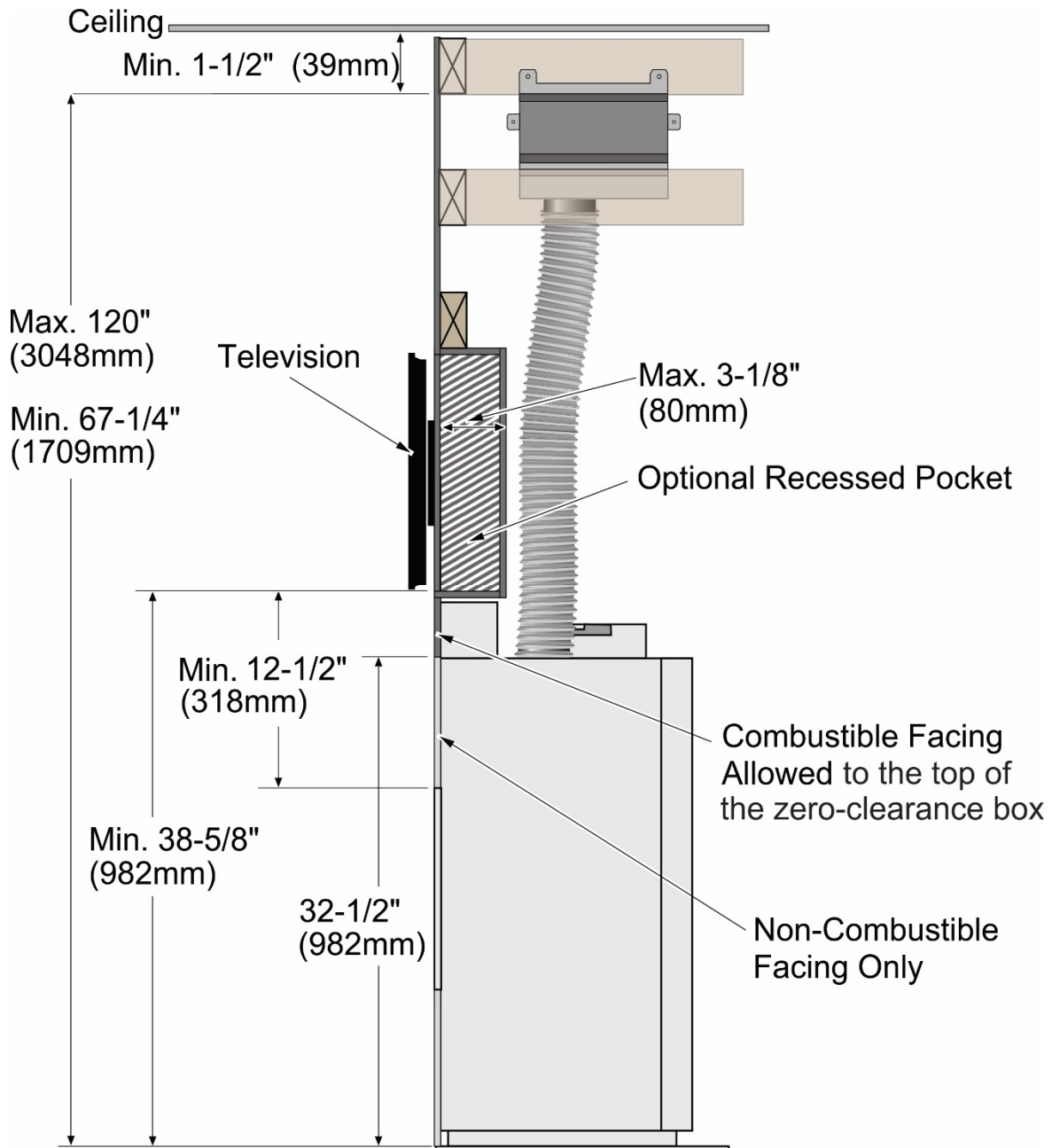
864 31K & 40K - Mantel Clearances

864 alternative mantel clearances are yet to be determined. Abide by the mantel clearances in the appliance manual.

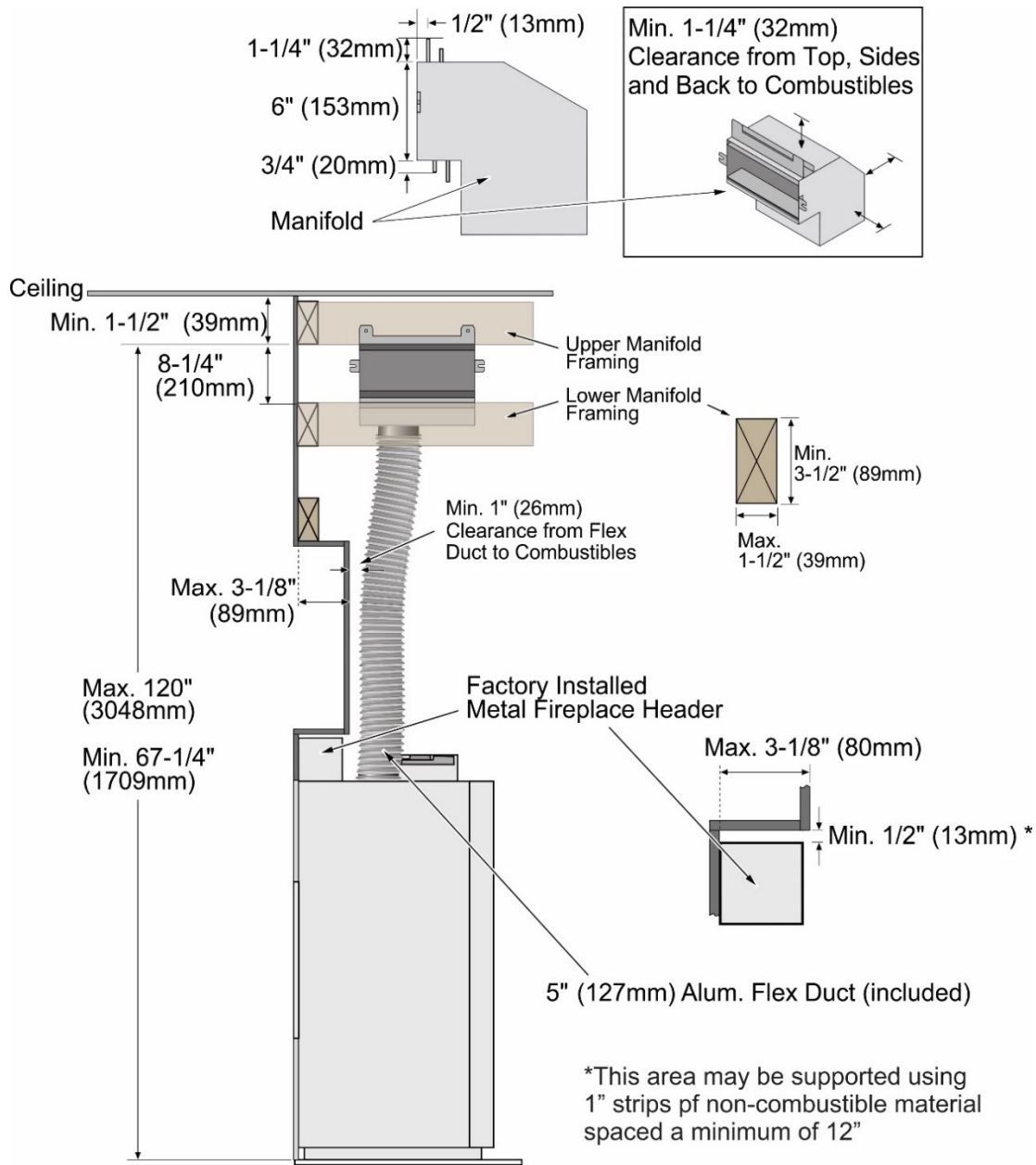
3615 HO - Details

3615 HO - Installation Overview

The CoolSmart system is designed to redirect the convective heat of the fireplaces from the front of the unit, just above the glass, to a location higher on the wall. The use of this kit allows for reduced clearances to televisions and a recessed cavity above the fireplace. When using this kit, disregard the standard framing dimensions and follow the framing instructions for the CoolSmart kit.



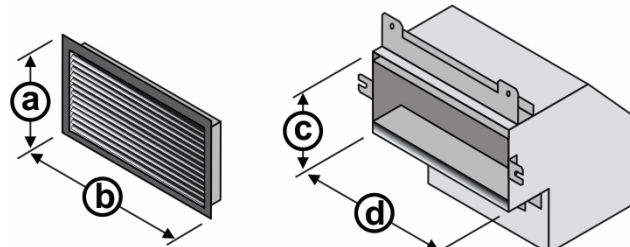
3615 HO - Installation Requirements



Grille and Manifold Dimensions

The grille may be installed over the facing to provide an aesthetic opening for the convection outlet. (2) #8 x 1-1/2" screws attach the trim to the finish material.

Dimensions



a	b	c	d
7-3/4" (197mm)	13-3/4" (350mm)	6" (153mm)	11-1/2" (293mm)

3615 HO - Combustible "Over-Facing" (Optional)

! WARNING !

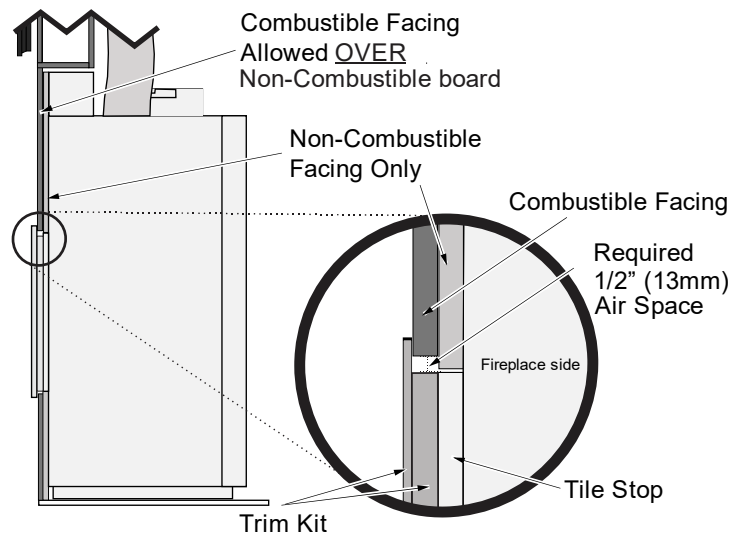
When using the CoolSmart TV kit, Combustible material can be installed over the non-combustible board on the front of the fireplace. To be clear, there will be (2) layers of board over the front of the appliance, one **non-combustible that covers the entire front of the fireplace**, and a second layer that can be combustible material that is placed on top of the non-combustible board.

The combustible material MUST be installed OVER 1/2" of non-combustible board.

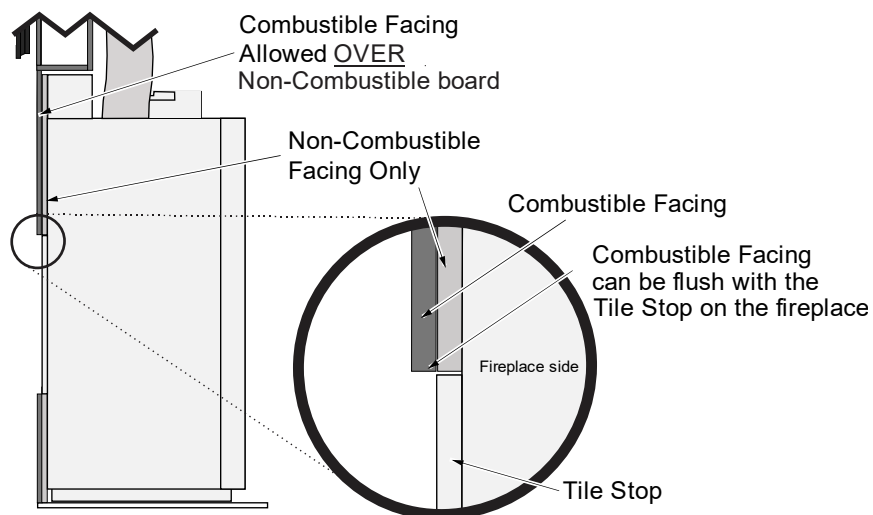
WARNING: If using a trim kit or the Gallery face, a 1/2" air space is required from all four sides of the tile stop on the fireplace. If no trim is being used, the airspace is not required (see below for details).

NOTE: The maximum facing depth (combustible + non-combustible facing) is 1-1/4". Any facing that extends farther than 1-1/4" must meet mantel clearances.

Over Facing WITH Trim Kit



Over Facing WITH OUT Trim Kit

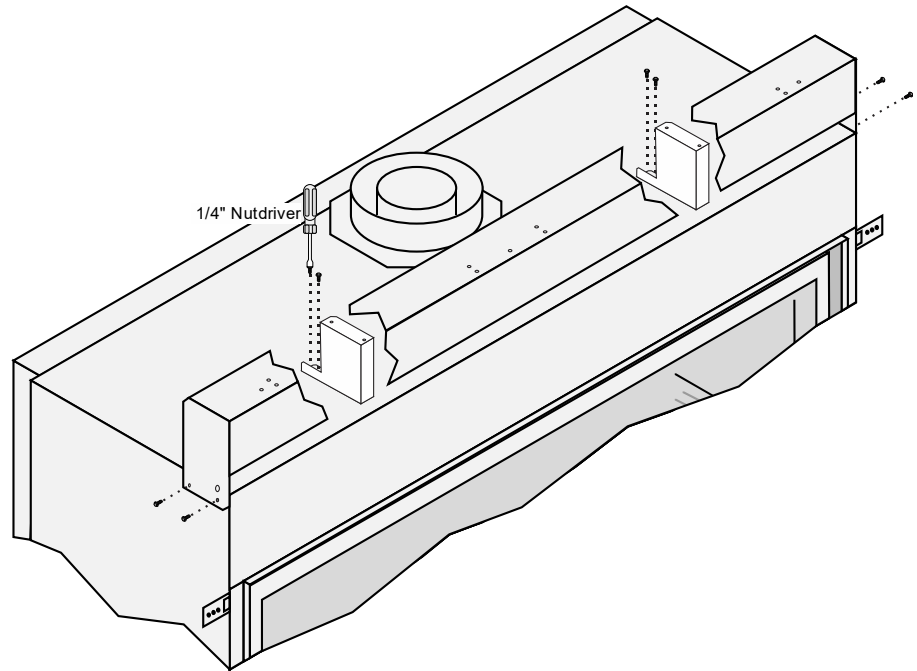


WARNING: The front of the appliance is subject to high temperatures which may cause discoloration and/or material degradation. Take this into account when choosing finishing materials.

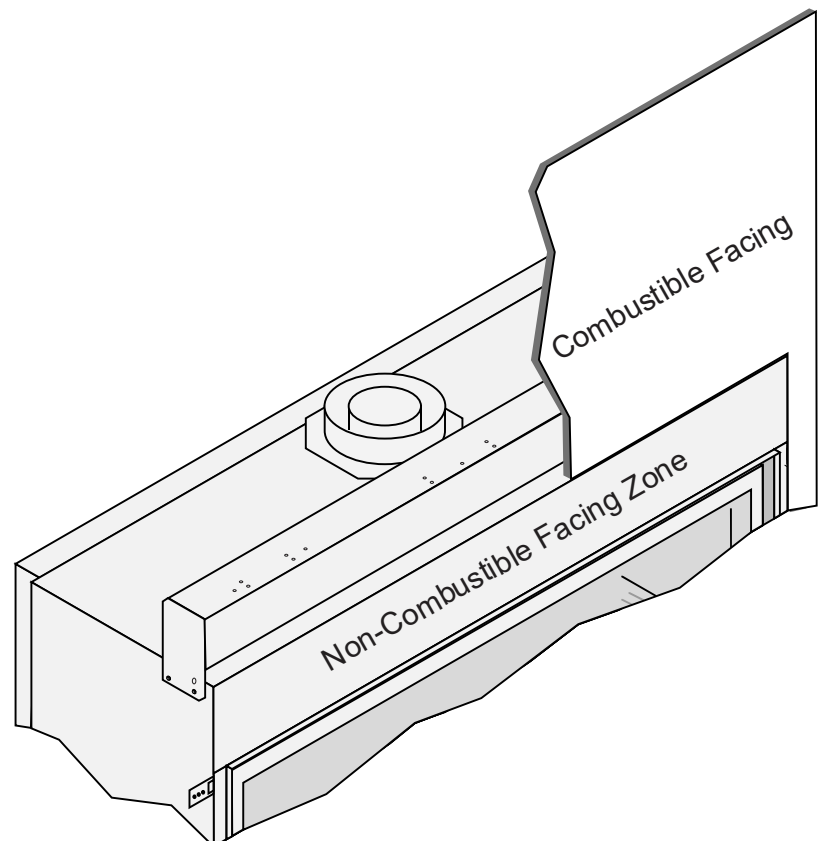
3615 HO - Flush Facing Header Configuration and Facing

For installations where only non-combustible facing will cover the front of the appliance, the metal header can be moved back $\frac{1}{2}$ " to accommodate drywall installed flush with the front of the fireplace. The drywall can contact the top $\frac{1}{2}$ " of the fireplace top.

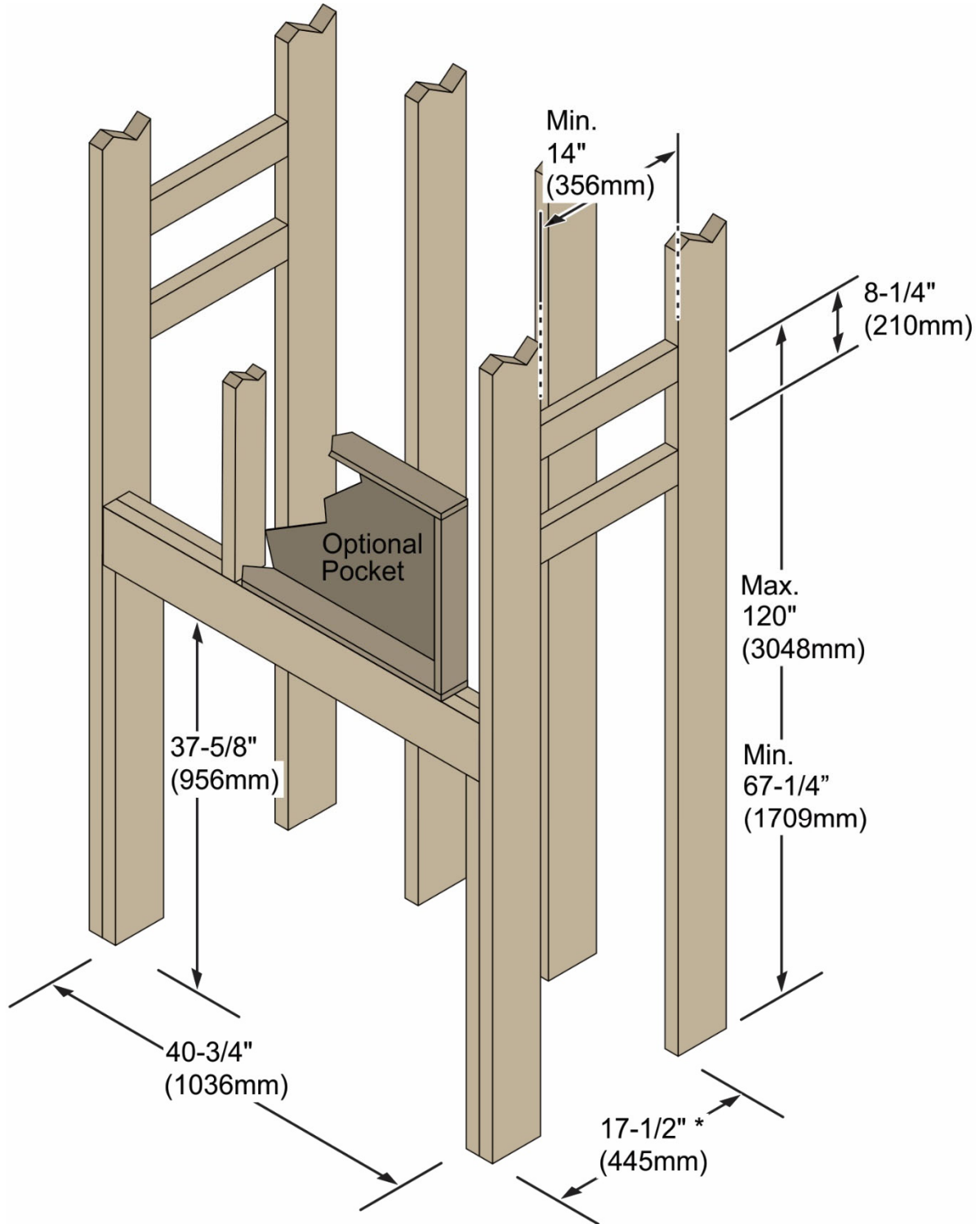
- Use a $\frac{1}{4}$ " nut driver to remove the (8) screws that secure the header assembly to the top of the fireplace
- Slide the header assembly back $\frac{1}{2}$ ".
- Align the header assembly with the second set of holes in the fireplace. Reattach the assembly to the fireplace (use the screws removed in the first step).



WARNING: For flush installations, combustible facing can touch the first $\frac{1}{2}$ " of the fireplace box. **ONLY NON-COMBUSTIBLE FACING** can cover the front of the appliance.



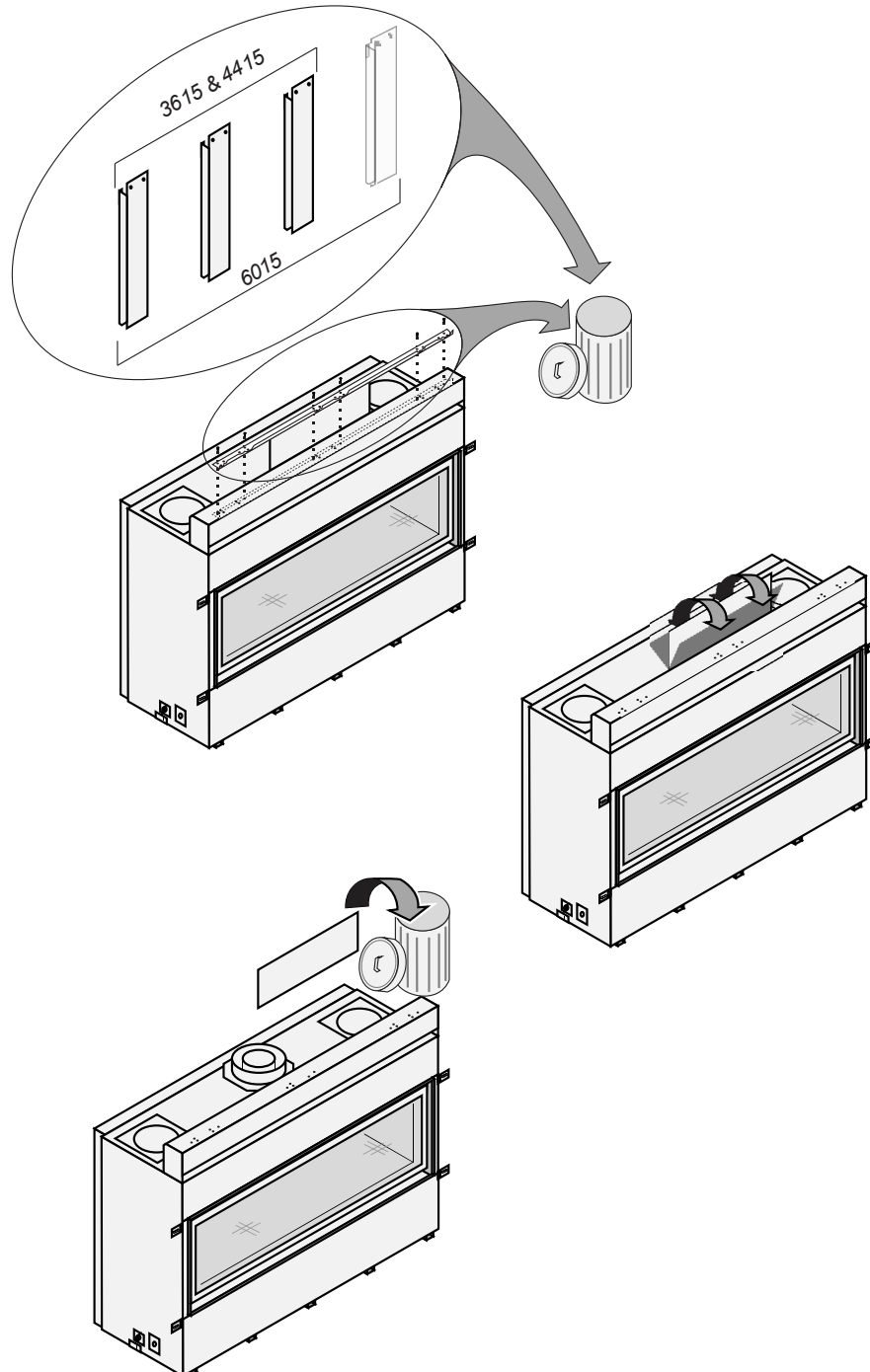
3615 HO - Framing the Chase



* The dimension shown is the minimum depth when the manifold is installed in the typical orientation to the side of the chase (based on the width of the manifold). If installing the manifolds in an alternate location or different orientation, the chase may be framed to the fireplaces minimum framing depth (see appliance manual for details).

3615 HO - Fireplace Preparation

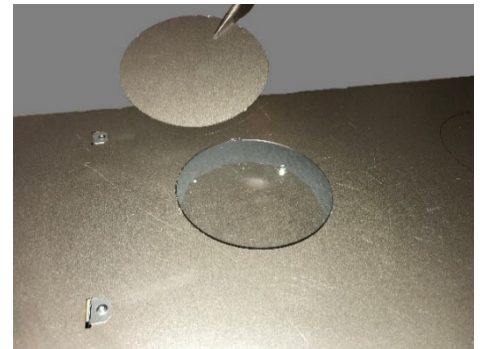
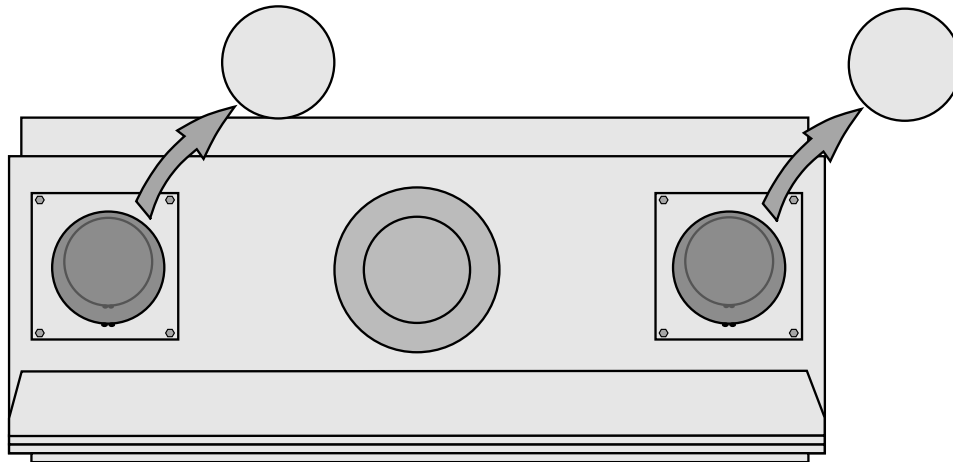
- When using the CoolSmart TV kit, you may discard the metal framing members included with the fireplace (3615 and 4415 have (3) and 6015 has (4)).
- Remove the screws that secure the sheetrock backer ("L" shaped metal bracket secured to the metal header of the unit) and discard the backer (see first illustration below). Bend the pipe heat shield back and forth until it snaps off of the metal header. Discard the heat shield (see middle and right illustrations below).



WARNING: In order to extract the heat properly from around the firebox, you must remove (3) layers of cover plates for each of the flex attachment points on the top of the fireplace. Not removing all of the cover plates can create hazardous conditions.

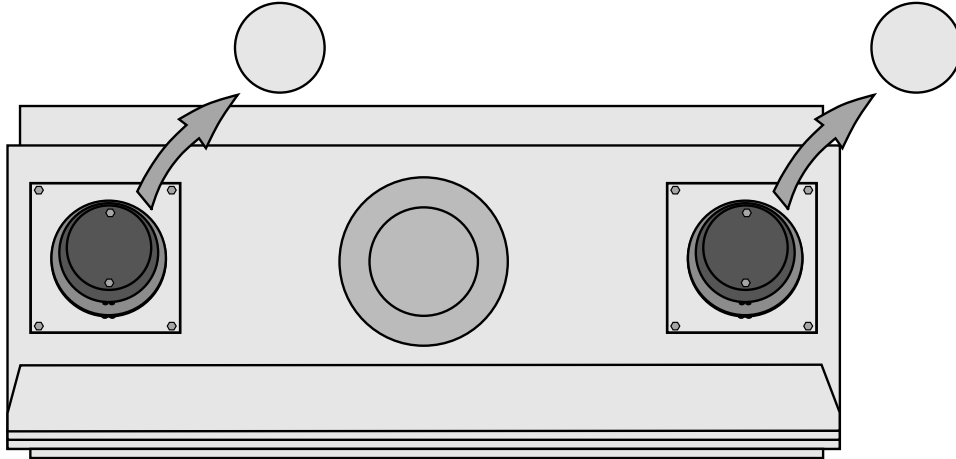
First Layer

- Remove the (2) 5" knockouts (leave the square cover plates in place). Use snips or diagonal cutters to snip the tab on the knockouts. Press on the far side away from the tab to pop the edge of the knockout up. Grab on to the knockout with pliers and bend it back and forth until the remaining tabs break free. Discard the knock out plate.



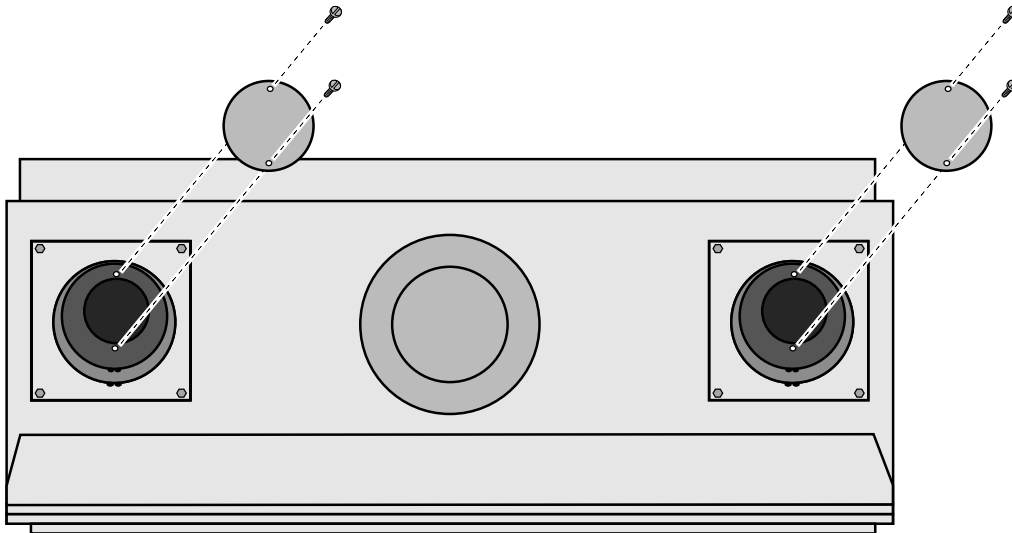
Second Layer

- Under the first layer of knockout plates, you will see another set of knockouts. Remove these knockouts using the same technique described above.

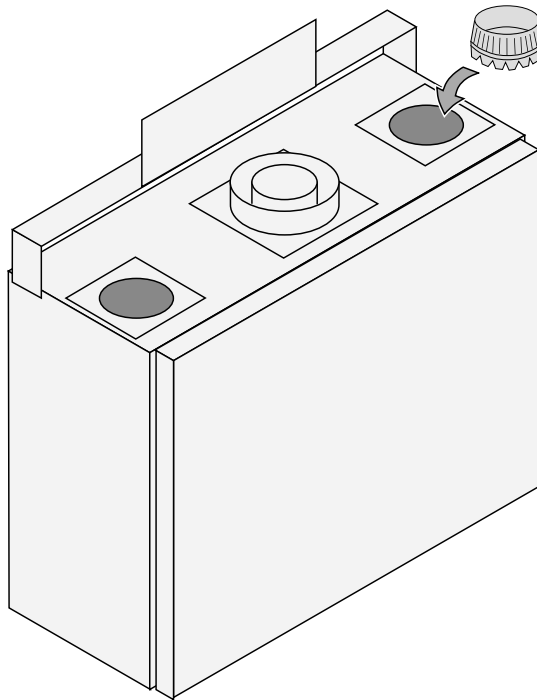


Third (final) Layer

- Under the second layer of knockout plates, you will find cover plates held in place with (2) ¼" screws. Use a nut driver or drill with an extension to remove the (2) screws. Reach in and remove the cover plate. You may discard the plates.

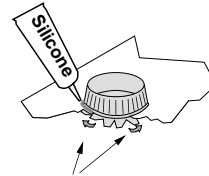


- Install the starter collars onto the fireplace (see below).



Starter Collar

Use silicone to seal the starter collar to the top of the fireplace.



Bend the tabs on the bottom of the starter collar up to lock it in place.

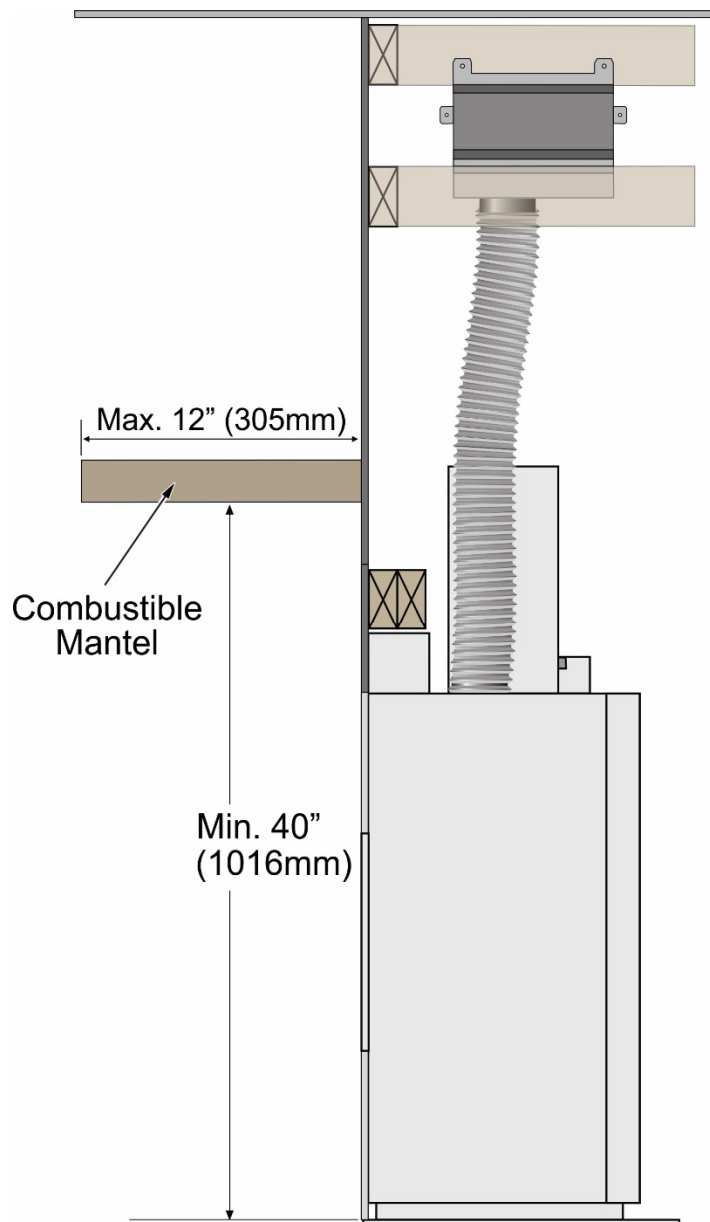
- Install the fireplace into the framed chase. See section "Installation" in the manual.

3615 HO - Reduced Mantel Clearance

When using this kit, disregard the combustible mantel requirements in the manual and follow the requirements shown to the right.

If you wish to place a TV above the mantel, it must meet the following requirements:

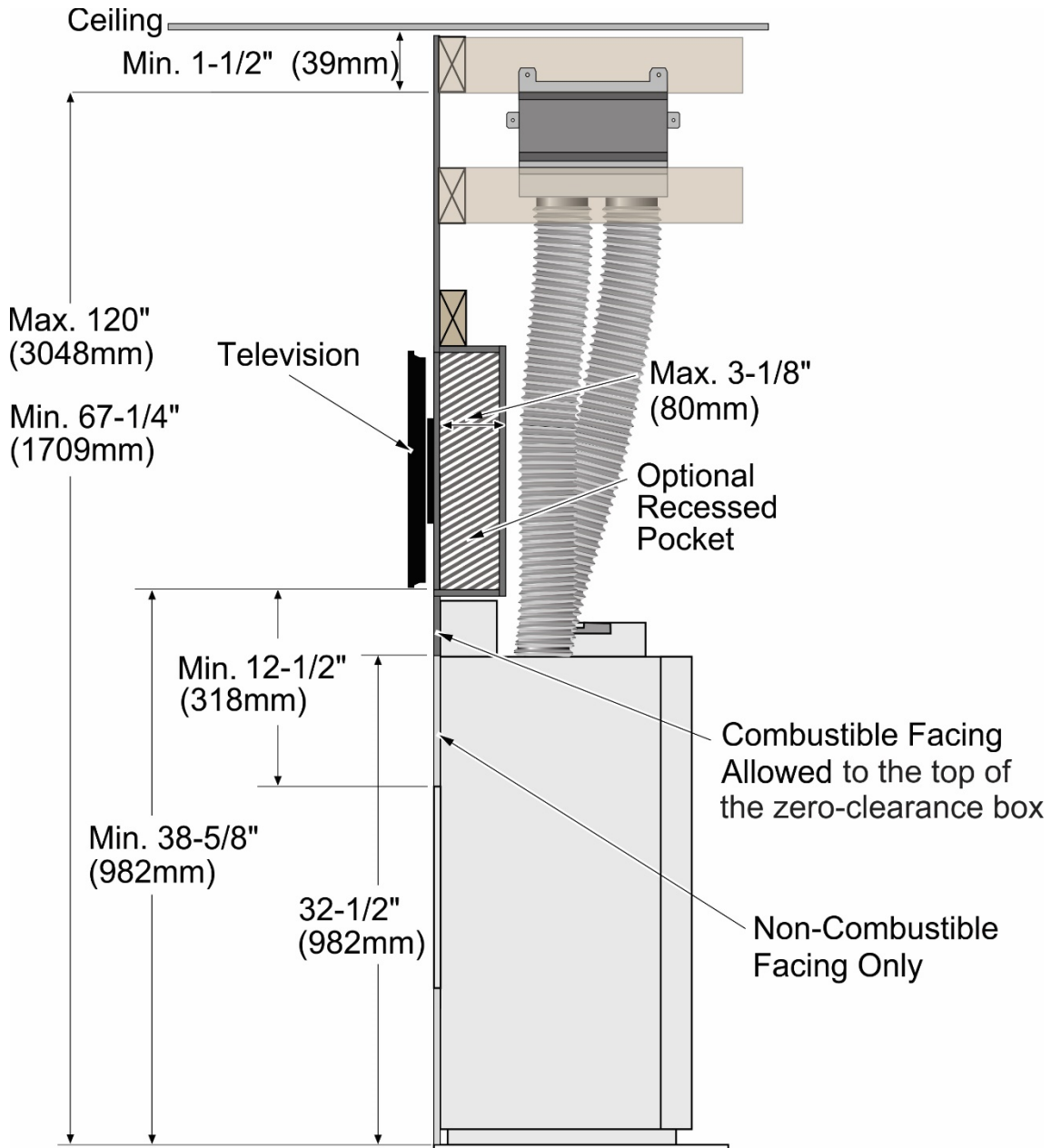
- Minimum 1" air gap behind the TV to the wall.
- The mantel must extend 2" in front of the TV and 1" to both sides.



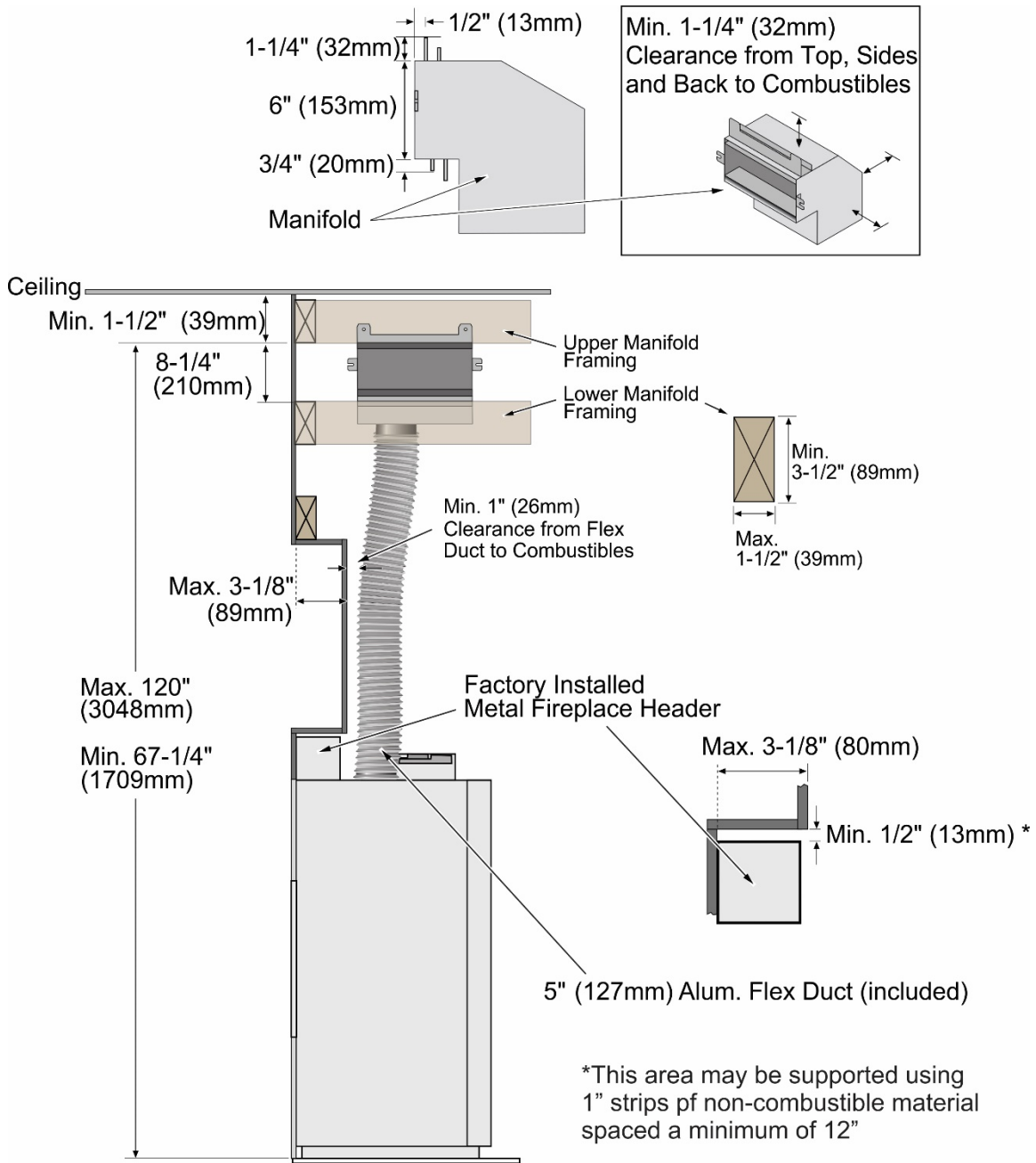
4415 HO Linear – Details

4415 HO Linear - Installation Overview

The CoolSmart system is designed to redirect the convective heat of the fireplaces from the front of the unit, just above the glass, to a location higher on the wall. The use of this kit allows for reduced clearances to televisions and a recessed cavity above the fireplace. When using this kit, disregard the standard framing dimensions and follow the framing instructions for the CoolSmart kit.

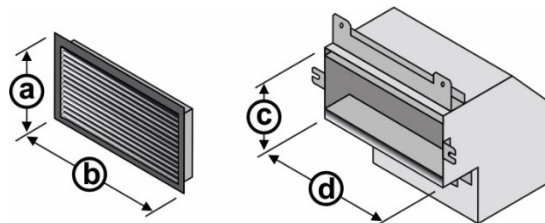


4415 HO - Installation Requirements



Grille and Manifold Dimensions

The grille may be installed over the facing to provide an aesthetic opening for the convection outlet. (2) #8 x 1-1/2" screws attach the trim to the finish material.



Dimensions

a	b	c	d
7-3/4" (197mm)	13-3/4" (350mm)	6" (153mm)	11-1/2" (293mm)

4415 HO - Combustible "Over-Facing" (Optional)

! WARNING !

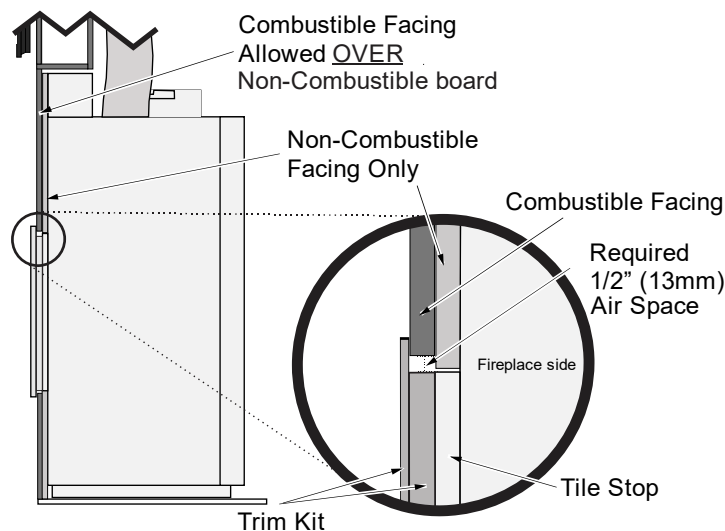
When using the CoolSmart TV kit, Combustible material can be installed over the non-combustible board on the front of the fireplace. To be clear, there will be (2) layers of board over the front of the appliance, one **non-combustible that covers the entire front of the fireplace**, and a second layer that can be combustible material that is placed on top of the non-combustible board.

The combustible material MUST be installed OVER 1/2" of non-combustible board.

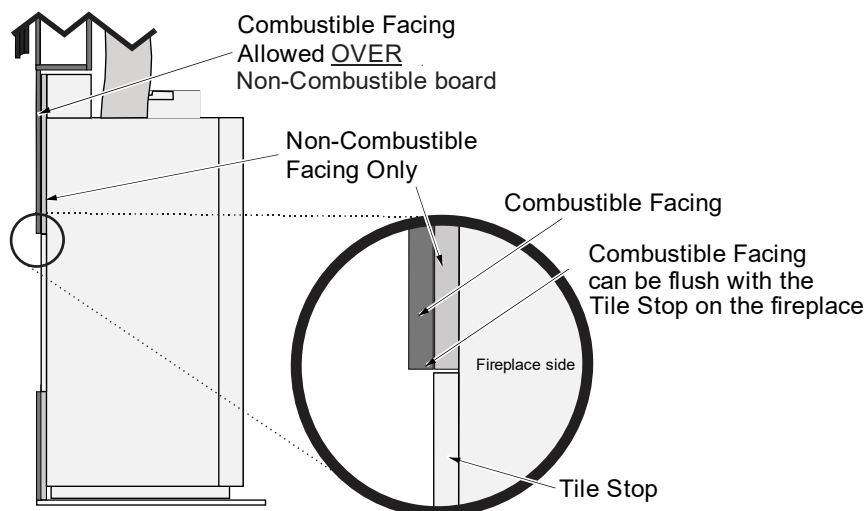
WARNING: If using a trim kit or the Gallery face, a 1/2" air space is required from all four sides of the tile stop on the fireplace. If no trim is being used, the airspace is not required (see below for details).

NOTE: The maximum facing depth (combustible + non-combustible facing) is 1-1/4". Any facing that extends farther than 1-1/4" must meet mantel clearances.

Over Facing WITH Trim Kit



Over Facing WITH OUT Trim Kit

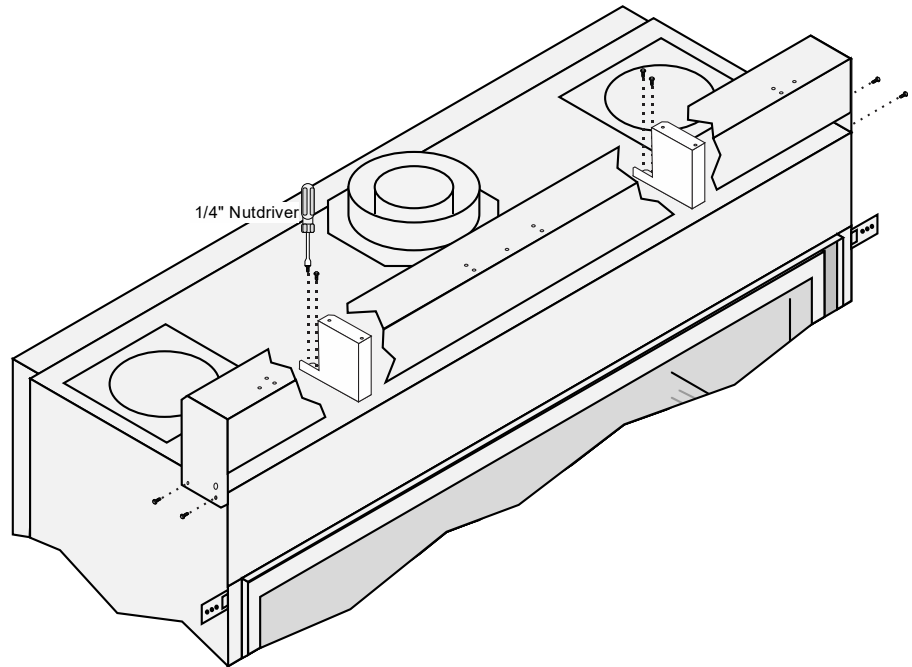


WARNING: The front of the appliance is subject to high temperatures which may cause discoloration and/or material degradation. Take this into account when choosing finishing materials.

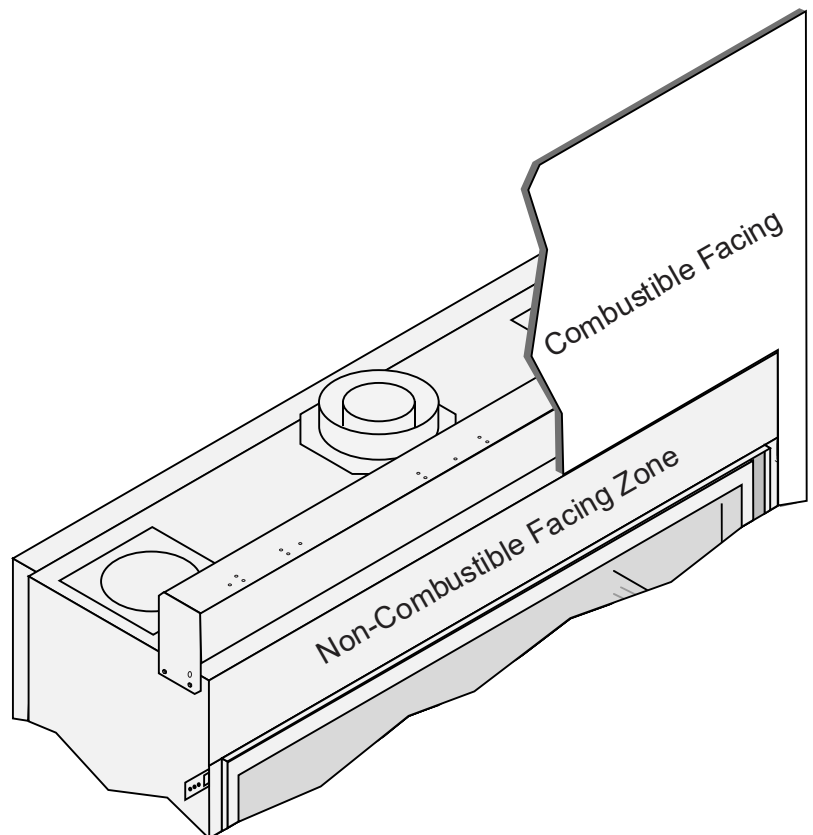
4415 HO - Flush Facing Header Configuration and Facing

For installations where only non-combustible facing will cover the front of the appliance, the metal header can be moved back $\frac{1}{2}$ " to accommodate drywall installed flush with the front of the fireplace. The drywall can contact the top $\frac{1}{2}$ " of the fireplace top.

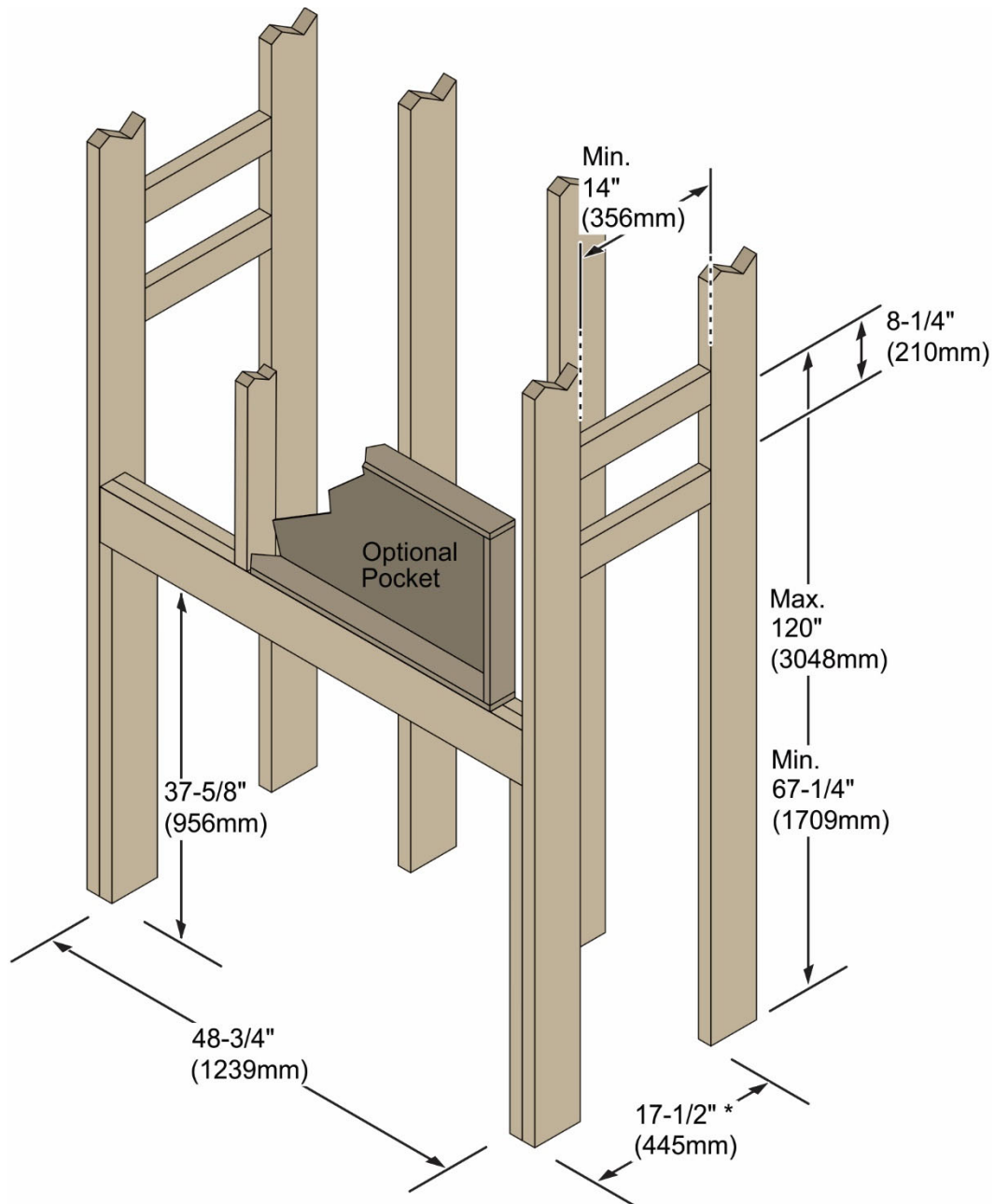
- Use a $\frac{1}{4}$ " nut driver to remove the (8) screws that secure the header assembly to the top of the fireplace
- Slide the header assembly back $\frac{1}{2}$ ".
- Align the header assembly with the second set of holes in the fireplace. Reattach the assembly to the fireplace (use the screws removed in the first step).



WARNING: For flush installations, combustible facing can touch the first $\frac{1}{2}$ " of the fireplace box. **ONLY NON-COMBUSTIBLE FACING** can cover the front of the appliance.



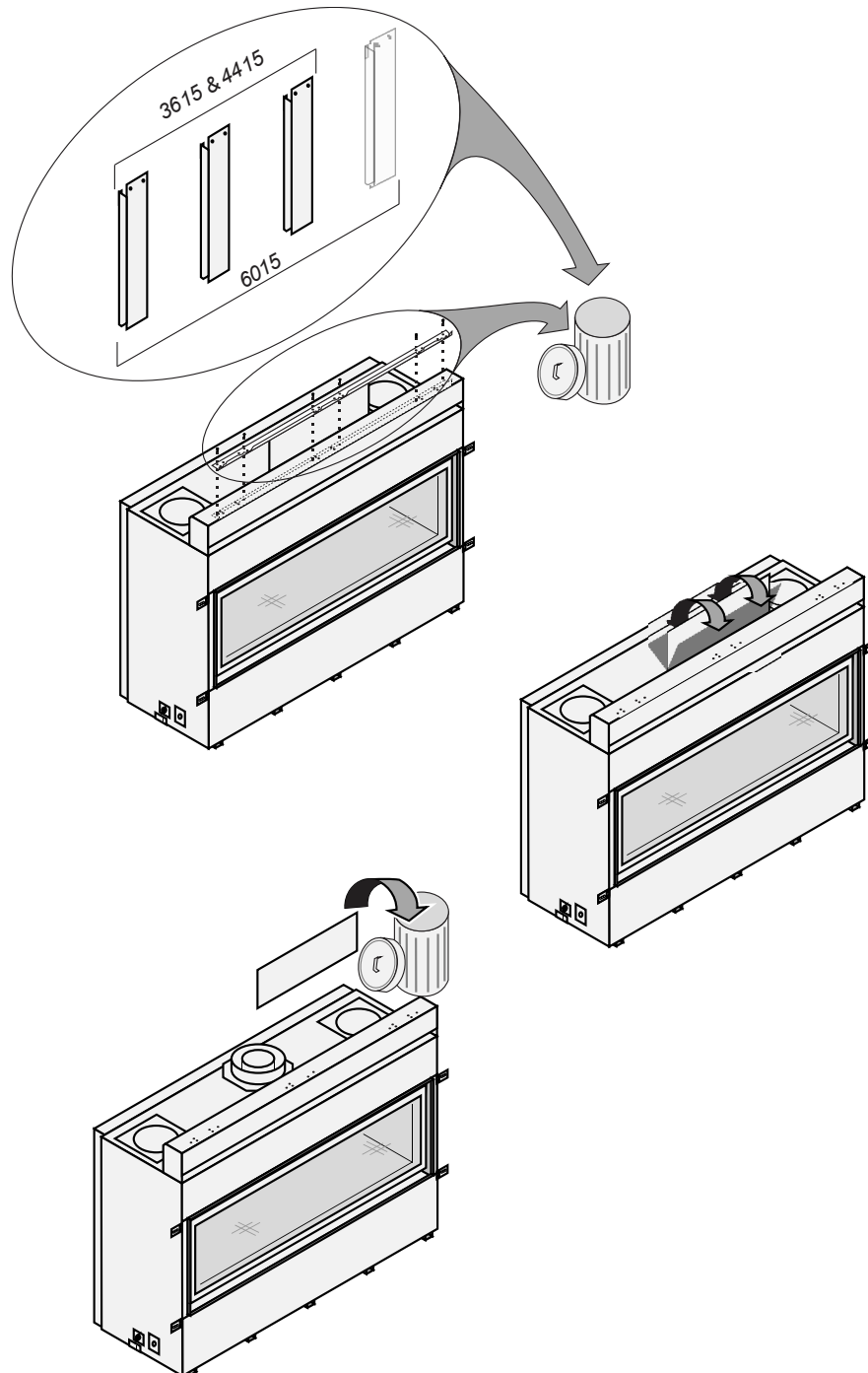
4415 HO - Framing the Chase



* The dimension shown is the minimum depth when the manifold is installed in the typical orientation to the side of the chase (based on the width of the manifold). If installing the manifolds in an alternate location or different orientation, the chase may be framed to the fireplaces minimum framing depth (see appliance manual for details).

4415 HO - Fireplace Preparation

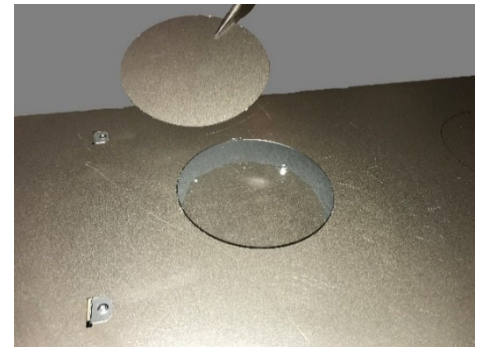
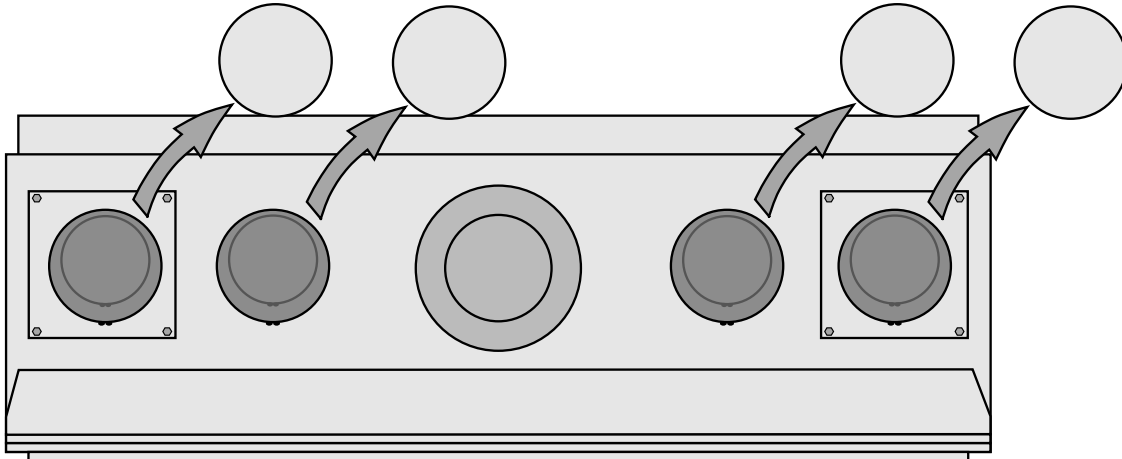
- When using the CoolSmart TV kit, you may discard the metal framing members included with the fireplace (3615 and 4415 have (3) and 6015 has (4)).
- Remove the screws that secure the sheetrock backer ("L" shaped metal bracket secured to the metal header of the unit) and discard the backer (see first illustration below). Bend the pipe heat shield back and forth until it snaps off of the metal header. Discard the heat shield (see middle and right illustrations below).



WARNING: In order to extract the heat properly from around the firebox, you must remove (4) layers of cover plates for each of the flex attachment points on the top of the fireplace. Not removing all of the cover plates can create hazardous conditions.

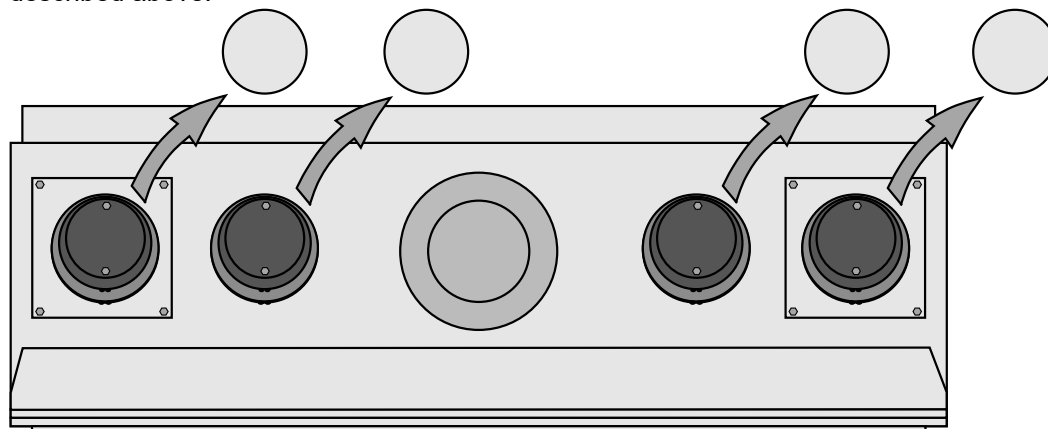
First Layer

- Remove all (4) of the 5" knockouts (leave the square cover plates in place). Use snips or diagonal cutters to snip the tab on the knockouts. Press on the far side away from the tab to pop the edge of the knockout up. Grab on to the knockout with pliers and bend it back and forth until the remaining tabs break free. Discard the knock out plate.



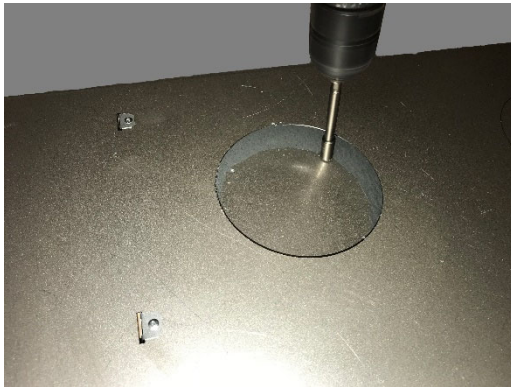
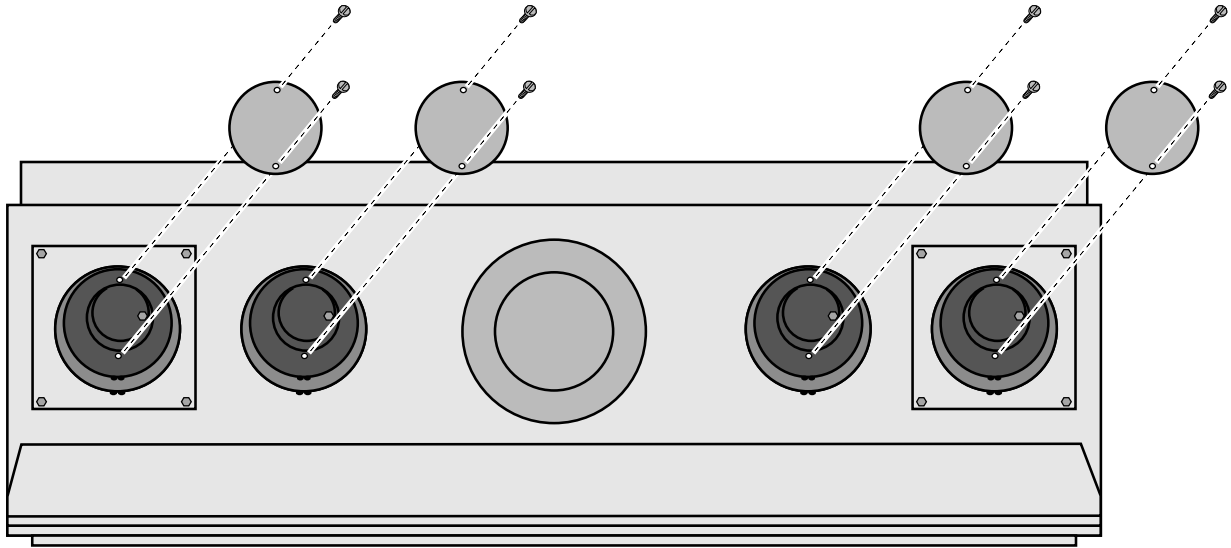
Second Layer

- In each of the four holes, you will see the next layer of knockouts. Remove the knockouts using the same technique described above.



Third Layer

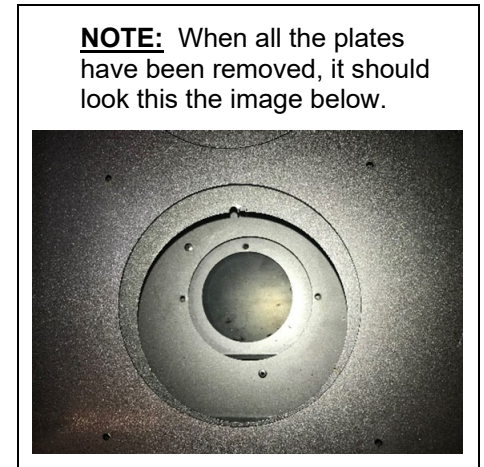
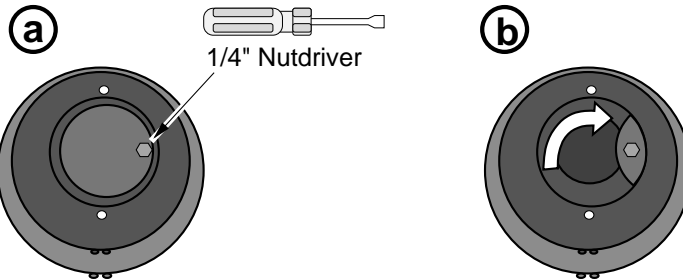
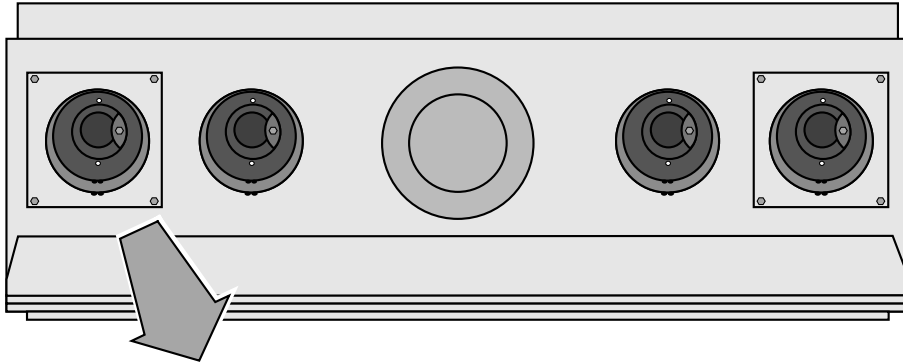
- Under the second layer of knockout plates, you will find cover plates held in place with (2) ¼" screws. Use a nut driver or drill with an extension to remove the (2) screws. Reach in and remove the cover plate. You may discard the plates.



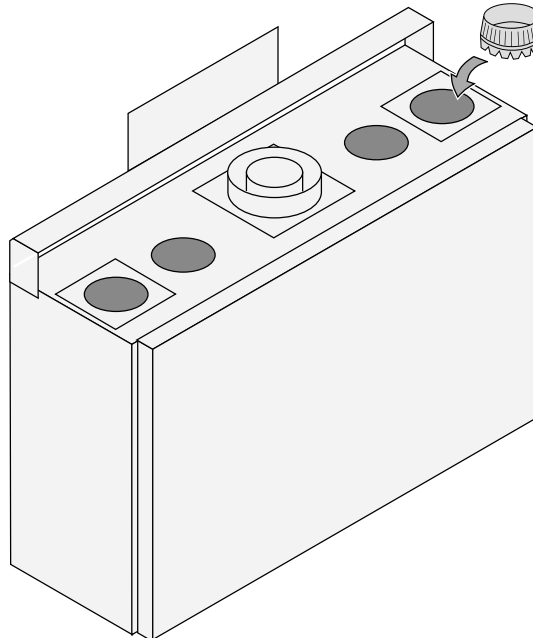
Fourth (final) Layer

- Once the third layer is removed, a final cover plate will be visible. Use a 1/4" nut driver to loosen the screw securing the plate. Reach in and rotate the cover plate to uncover the final hole.

NOTE: The final plate does not get removed from the fireplace, just rotated to uncover the hole. Once the plate has been rotated, tighten the screw to lock the plate in place.

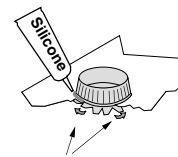


- Install the starter collars onto the fireplace (see below).



Starter Collar

Use silicone to seal the starter collar to the top of the fireplace.



Bend the tabs on the bottom of the starter collar up to lock it in place.

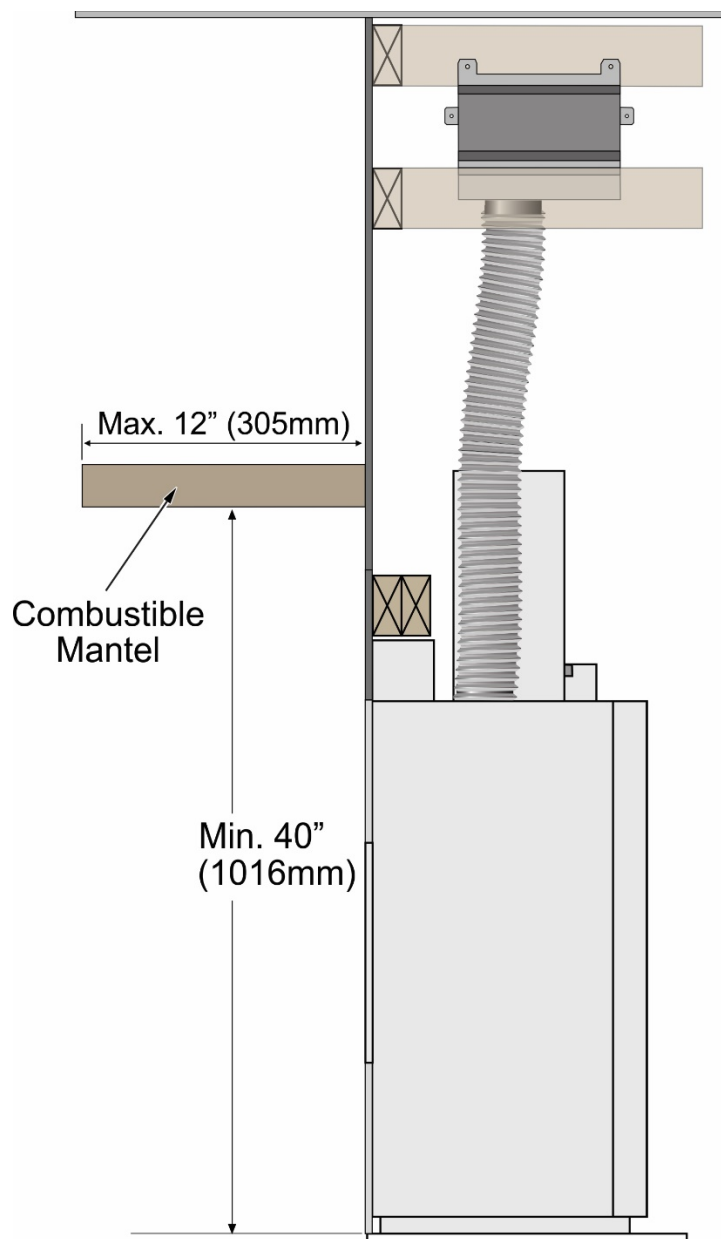
- Install the fireplace into the framed chase. See section "Installation" in the manual.

4415 HO - Reduced Mantel Clearance

When using this kit, disregard the combustible mantel requirements in the manual and follow the requirements shown to the right.

If you wish to place a TV above the mantel, it must meet the following requirements:

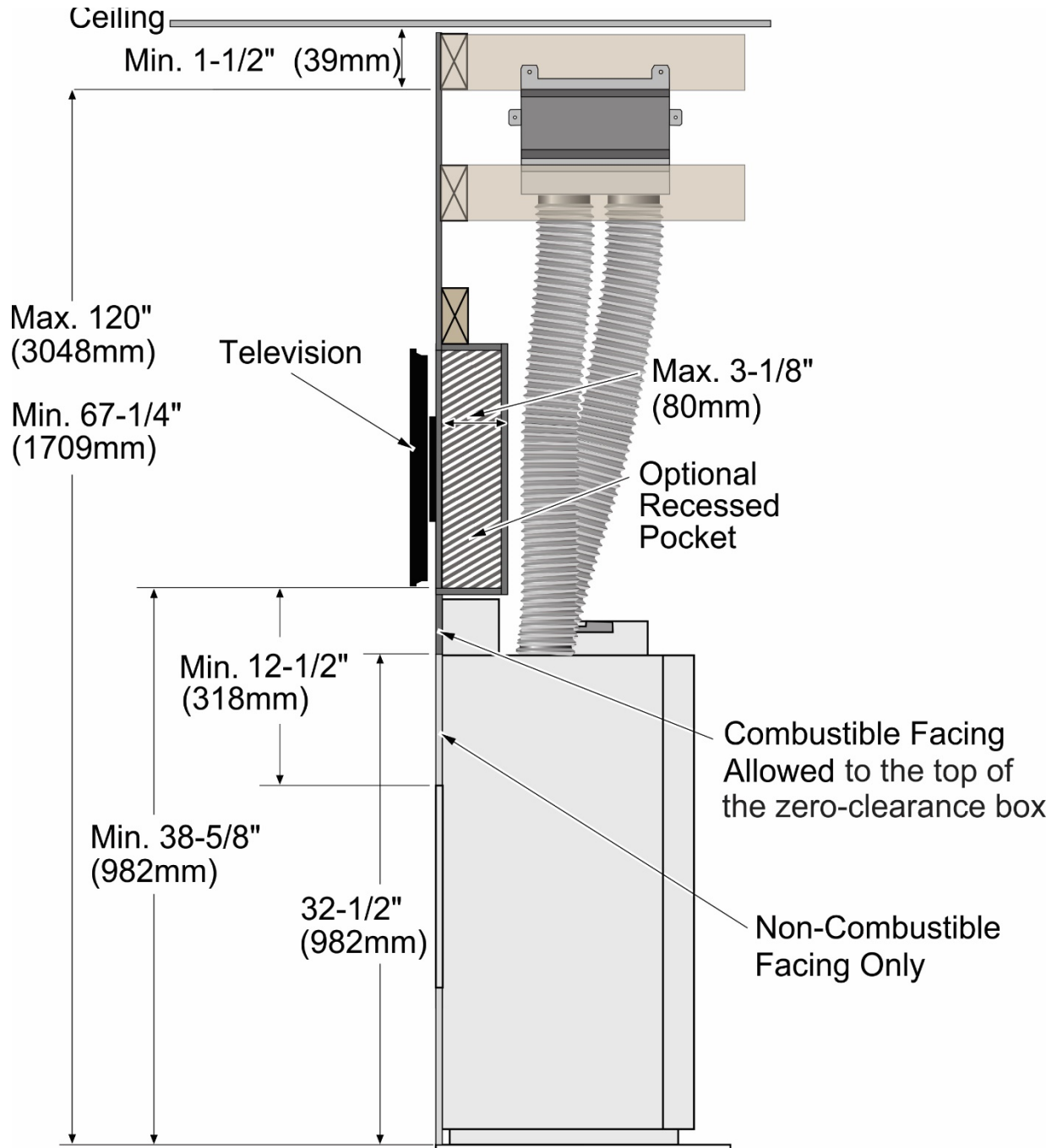
- Minimum 1" air gap behind the TV to the wall.
- The mantel must extend 2" in front of the TV and 1" to both sides.



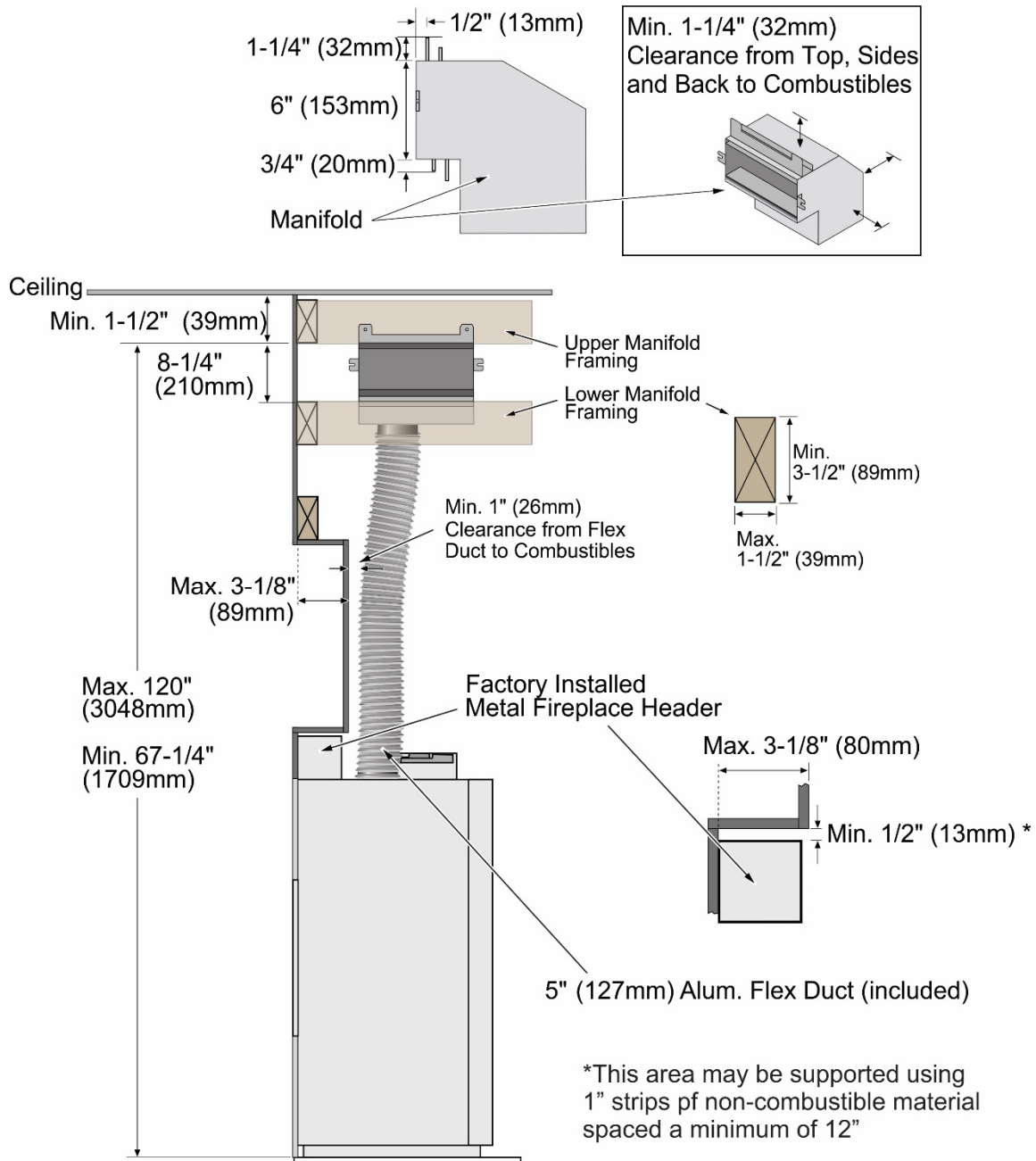
6015 HO Linear - Details

6015 HO Linear - Installation Overview

The CoolSmart system is designed to redirect the convective heat of the fireplaces from the front of the unit, just above the glass, to a location higher on the wall. The use of this kit allows for reduced clearances to televisions and a recessed cavity above the fireplace. When using this kit, disregard the standard framing dimensions and follow the framing instructions for the CoolSmart kit.

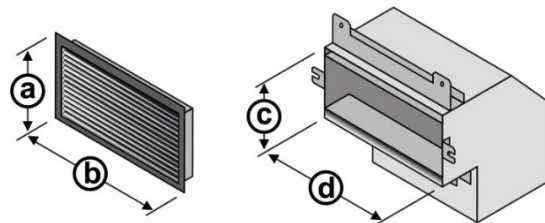


6015 HO Linear - Installation Requirements



Grille and Manifold Dimensions

The grille may be installed over the facing to provide an aesthetic opening for the convection outlet. (2) #8 x 1-1/2" screws attach the trim to the finish material.



Dimensions

a	b	c	d
7-3/4" (197mm)	13-3/4" (350mm)	6" (153mm)	11-1/2" (293mm)

6015 HO Linear - Combustible "Over-Facing" (Optional)

! WARNING !

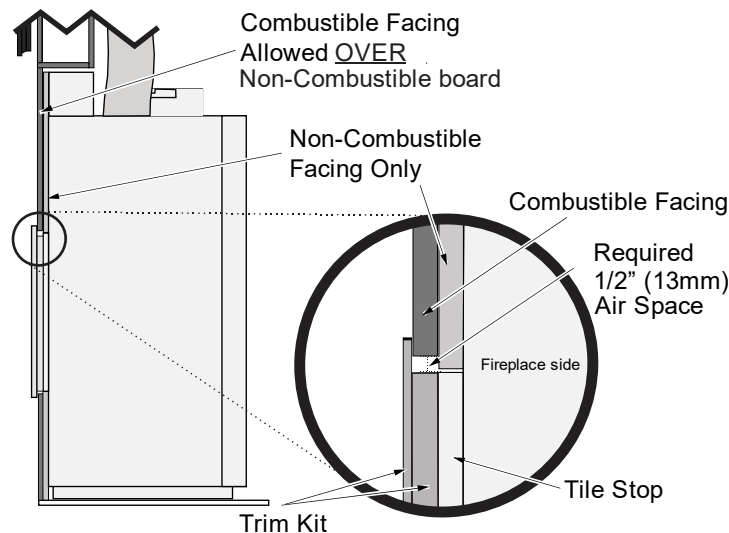
When using the CoolSmart TV kit, Combustible material can be installed over the non-combustible board on the front of the fireplace. To be clear, there will be (2) layers of board over the front of the appliance, one **non-combustible that covers the entire front of the fireplace**, and a second layer that can be combustible material that is placed on top of the non-combustible board.

The combustible material MUST be installed OVER 1/2" of non-combustible board.

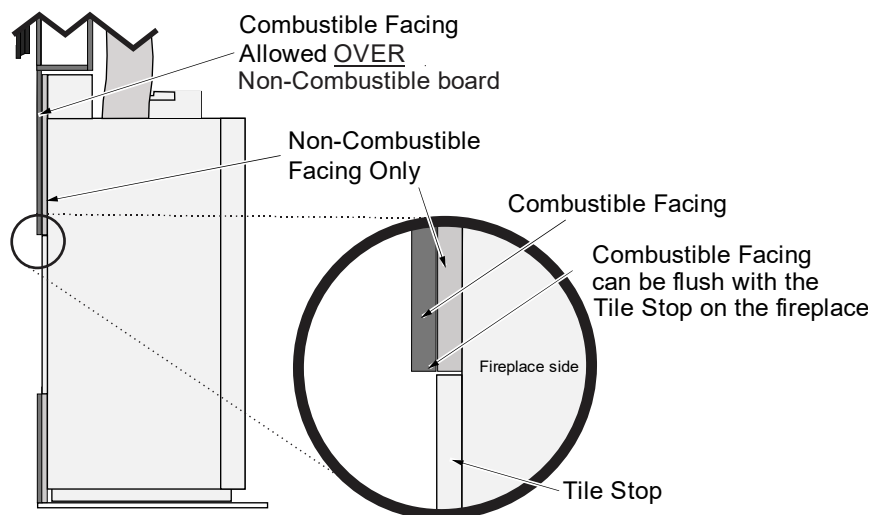
WARNING: If using a trim kit or the Gallery face, a 1/2" air space is required from all four sides of the tile stop on the fireplace. If no trim is being used, the airspace is not required (see below for details).

NOTE: The maximum facing depth (combustible + non-combustible facing) is 1-1/4". Any facing that extends farther than 1-1/4" must meet mantel clearances.

Over Facing WITH Trim Kit



Over Facing WITH OUT Trim Kit

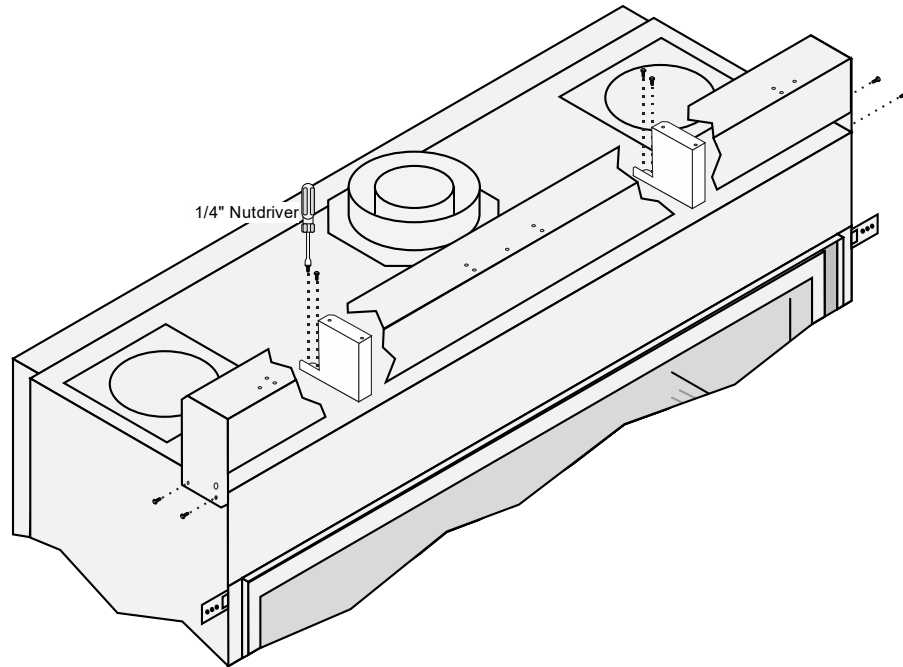


WARNING: The front of the appliance is subject to high temperatures which may cause discoloration and/or material degradation. Take this into account when choosing finishing materials.

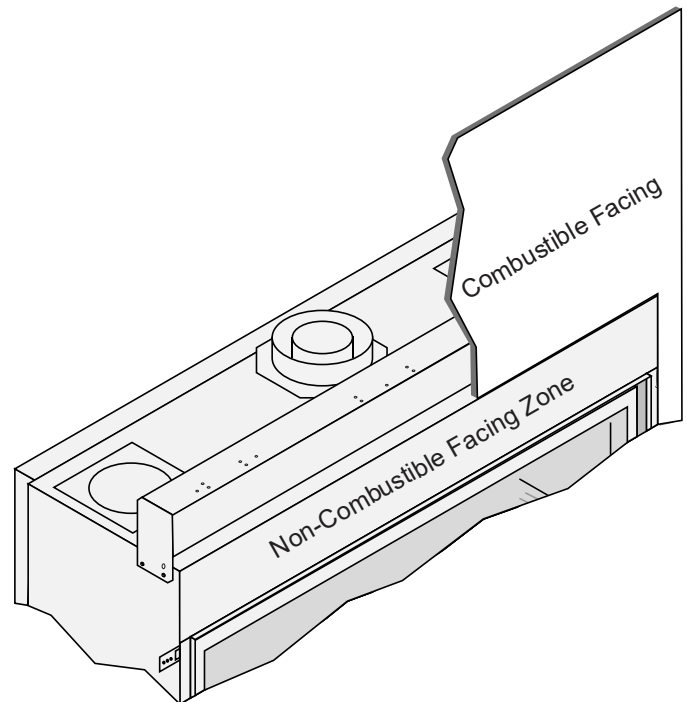
6015 HO Linear - Flush Facing Header Configuration & Facing

For installations where only non-combustible facing will cover the front of the appliance, the metal header can be moved back $\frac{1}{2}$ " to accommodate drywall installed flush with the front of the fireplace. The drywall can contact the top $\frac{1}{2}$ " of the fireplace top.

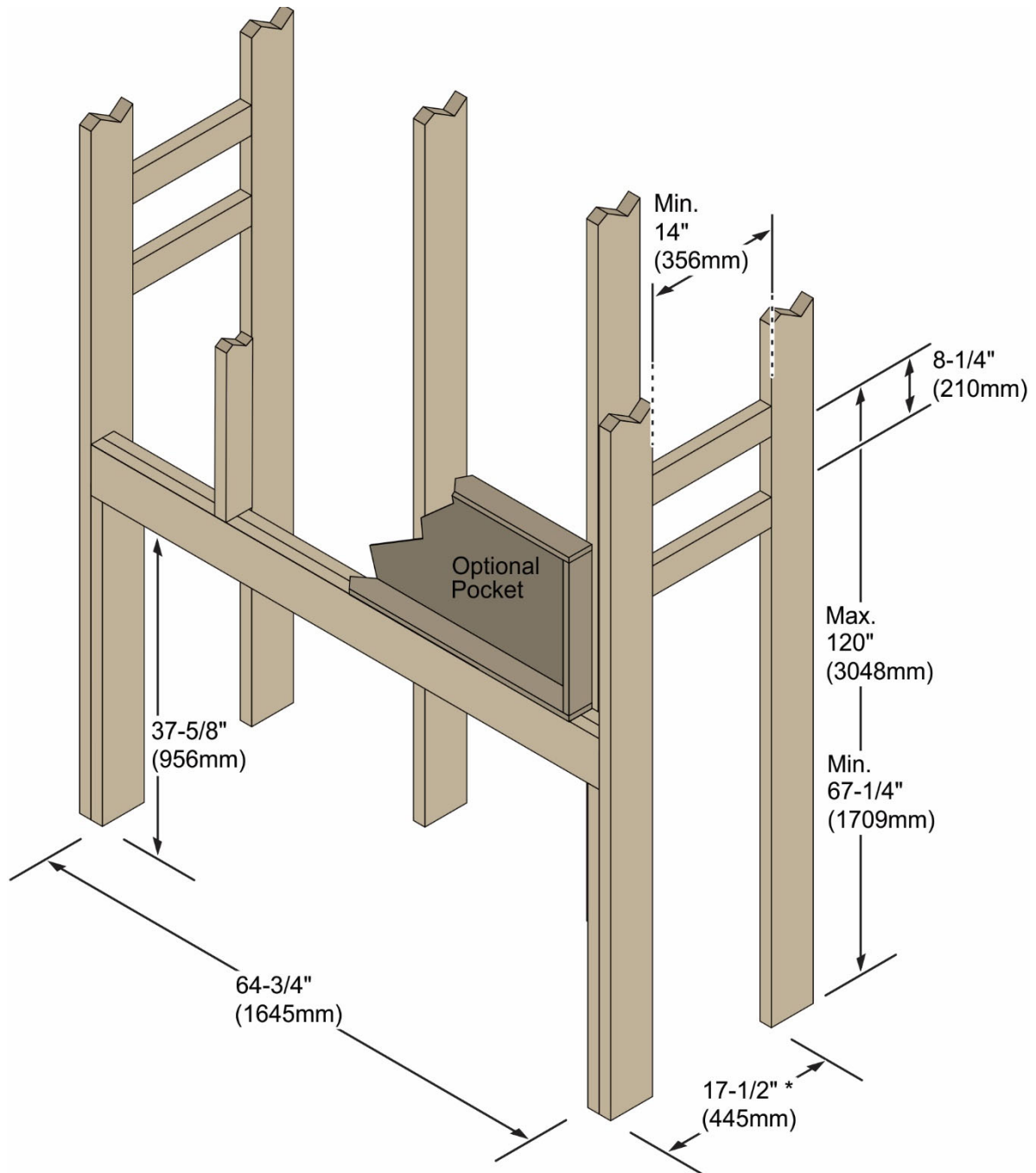
- Use a $\frac{1}{4}$ " nut driver to remove the (8) screws that secure the header assembly to the top of the fireplace
- Slide the header assembly back $\frac{1}{2}$ ".
- Align the header assembly with the second set of holes in the fireplace. Reattach the assembly to the fireplace (use the screws removed in the first step).



WARNING: For flush installations, combustible facing can touch the first $\frac{1}{2}$ " of the fireplace box. **ONLY NON-COMBUSTIBLE FACING** can cover the front of the appliance.



6015 HO Linear - Framing the Chase



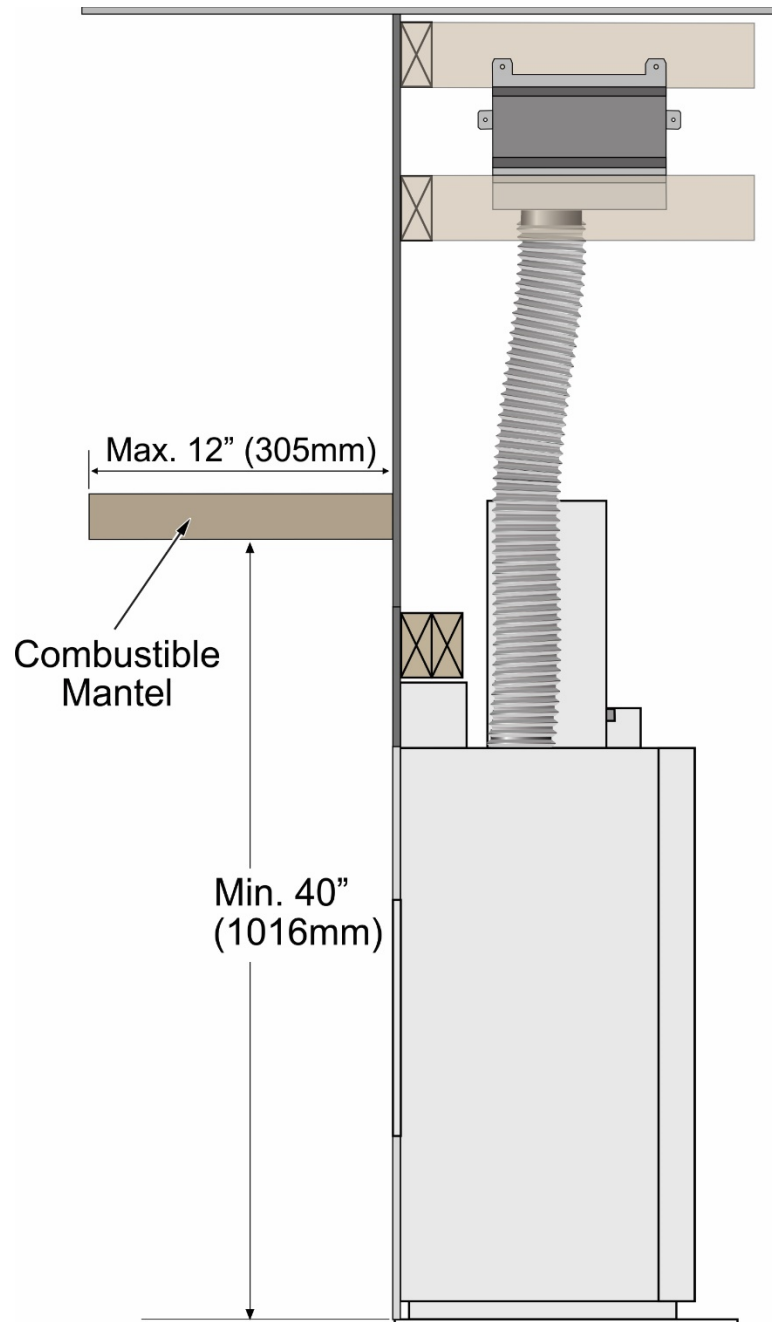
* The dimension shown is the minimum depth when the manifold is installed in the typical orientation to the side of the chase (based on the width of the manifold). If installing the manifolds in an alternate location or different orientation, the chase may be framed to the fireplaces minimum framing depth (see appliance manual for details).

6015 HO Linear - Reduced Mantel Clearance

When using this kit, disregard the combustible mantel requirements in the manual and follow the requirements shown below.

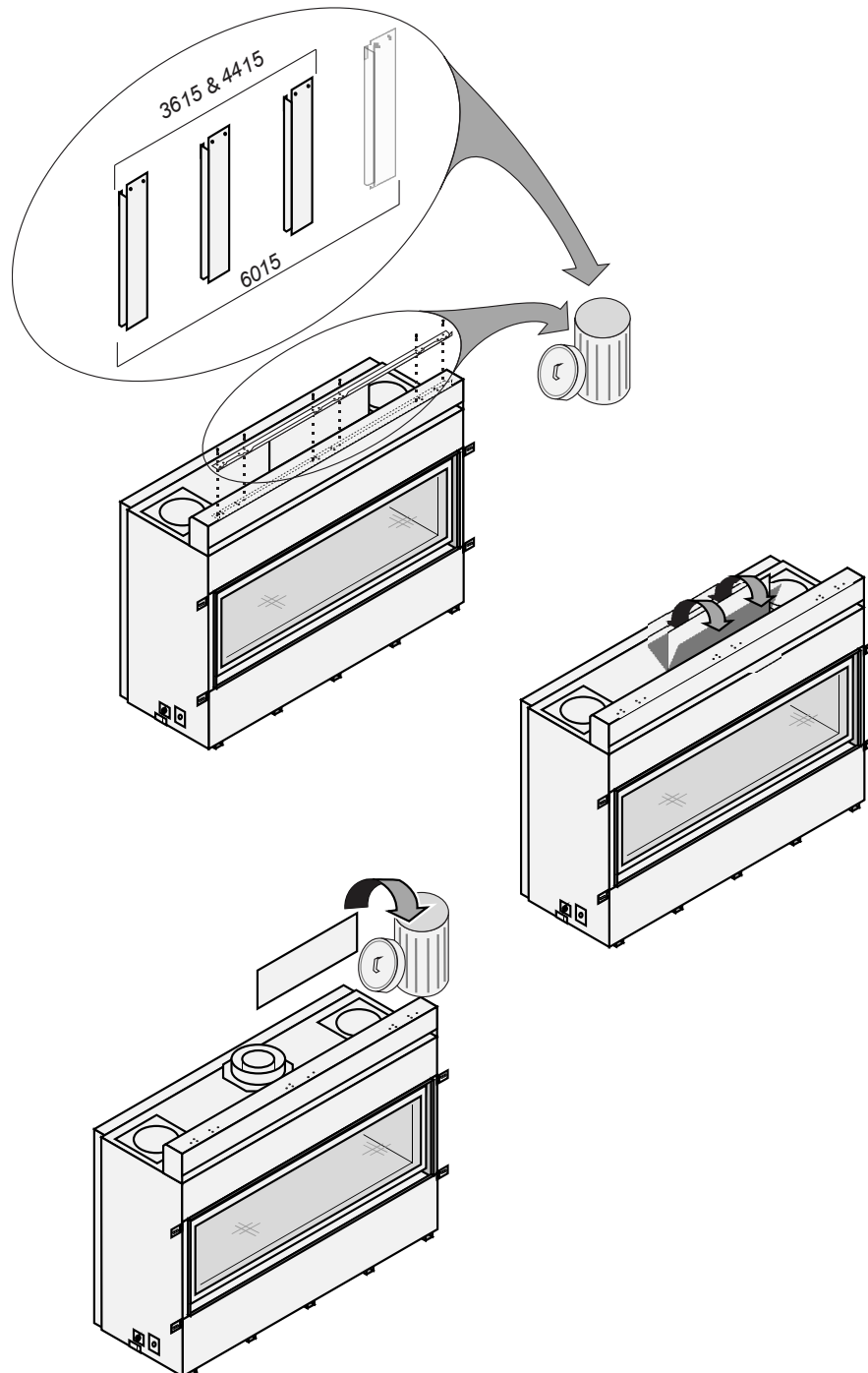
If you wish to place a TV above the mantel, it must meet the following requirements:

- Minimum 1" air gap behind the TV to the wall.
- The mantel must extend 2" in front of the TV and 1" to both sides.



6015 HO Linear - Fireplace Preparation

- When using the CoolSmart TV kit, you may discard the metal framing members included with the fireplace (3615 and 4415 have (3) and 6015 has (4)).
- Remove the screws that secure the sheetrock backer ("L" shaped metal bracket secured to the metal header of the unit) and discard the backer (see first illustration below). Bend the pipe heat shield back and forth until it snaps off of the metal header. Discard the heat shield (see middle and right illustrations below).

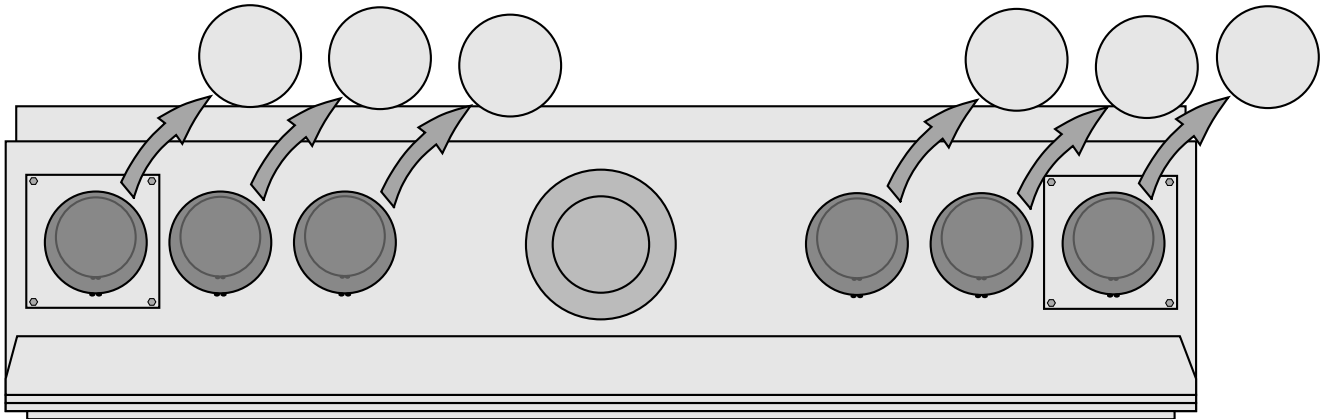


6015 HO - Knockout Removal

WARNING: In order to extract the heat properly from around the firebox, you must remove (2) layers of cover plates for each of the flex attachment points on the top of the fireplace. Not removing all of the cover plates can create hazardous conditions.

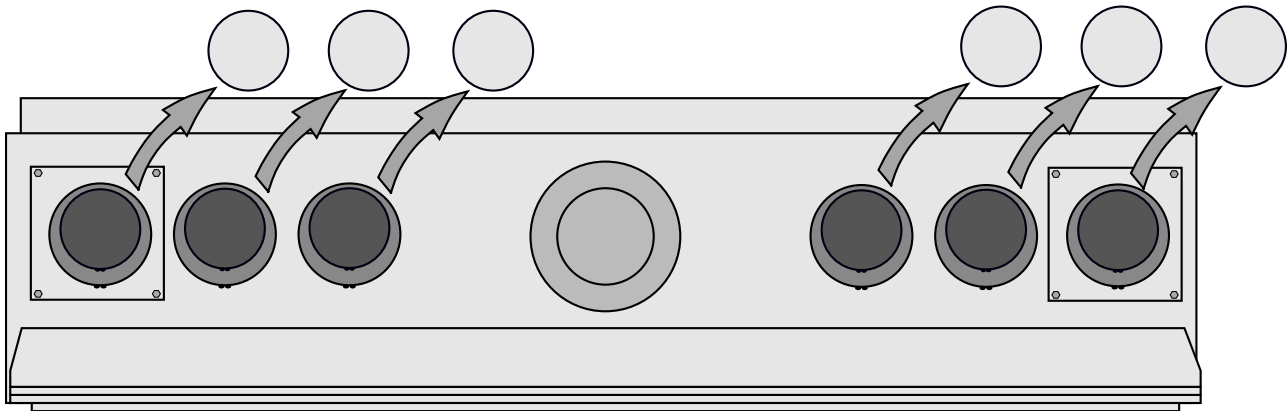
CoolSmart TV Knockouts

Remove all 6 of the 5" knockouts (leave the square cover plates in place). The knockouts below will also be removed (see instructions).



Inner Knockouts

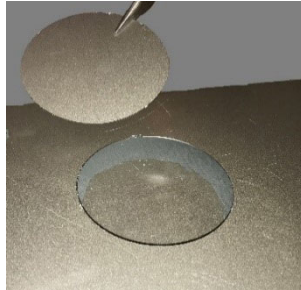
Remove the 6 inner knockouts as well.



- 1 Use snips or diagonal cutters to snip the tab on the knockouts. Press on the far side away from the tap to pop the edge of the knockout up.



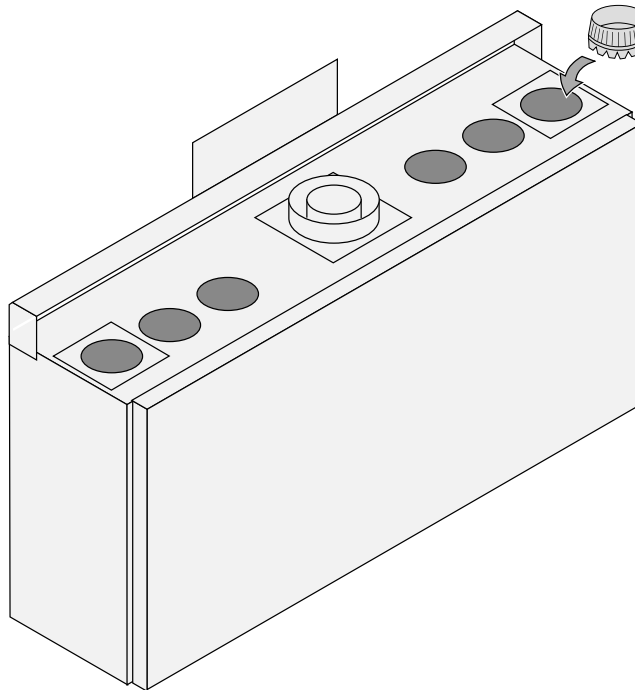
- 2 Grab on to the knockout with pliers and bend it back and forth until the remaining tabs break free. Discard the knock out plate.



- 3 Under each knock out plate on the outer layer of the fireplace, you will find a second knockout. Remove the inner knockout using the same method. You may discard the knockout plates.

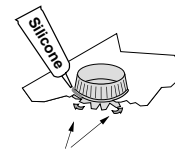


- 4 Insert a starter collar into each of the holes that were uncovered in the previous step and bend the tabs to secure the starter collar to the fireplace. Seal the joints with silicone caulk or aluminum (U.L. 181A-P) tape



Starter Collar

Use silicone to seal the starter collar to the top of the fireplace.

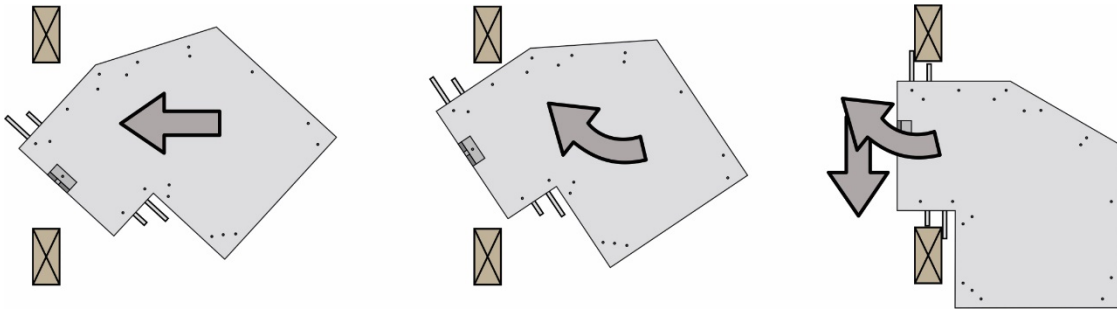


Bend the tabs on the bottom of the starter collar up to lock it in place.

- 5 Install the fireplace into the framed chase. See section "Installation" in the manual.

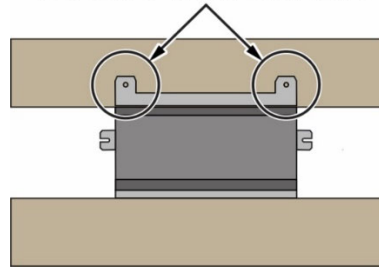
CoolSmart TV Kit Installation (all fireplaces)

- 1 Determine the desired location of the bottom of the convection air outlet. Install a horizontal framing member at the desired height. Install a second horizontal framing member 8-1/4" above the first. These two framing members will support the manifold in the following steps.
- 2 Hold the manifold with the outlet facing the back of the framing members installed in the previous step. Tilt the outlet of the manifold downward until the outlet of the manifold and the two mounting tabs can fit between the two framing members. Slide the outlet into the gap and allow it to sit level again. The two mounting tabs will support the manifold.

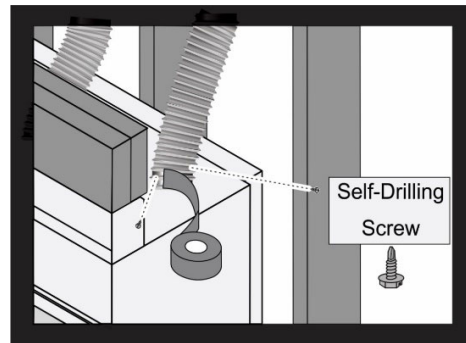


- 3 Secure the manifold to the upper framing using screws

Secure with Screws



- 4 Stretch the included flex to its maximum length. Measure the distance between the starter collars on the fireplace and the inlets on the convection manifold. Cut the flex to the appropriate length and install between the fireplace and the manifold. Secure using (3) screws at every connection and seal the joints with silicone caulk or aluminum (U.L. 181A-P) tape.



- 5 Cover the face of the fireplace and the outlet of the manifold to ensure no construction debris or sheetrock dust enters the unit.
- 6 Once all finish work is complete around the outlet of the manifold, install the outlet grille assembly using (2) screws (one at each end).

NOTE: The manifold opening protrudes 1/2" (13mm) proud of the framing

Using oval pipe to get past an obstruction

If a situation arises that obstructs the CoolSmart flex vent runs (such as getting past a minimum sideways vent) you may transition the 5" flex vent to a ridged nominal 6" oval pipe to get past the obstruction. Transition back to the 5" round flex and continue to the manifold.

The adapters and ridged pipe should be factory ovalized, not field ovalized.

NOTE: All clearances to combustibles must be maintained.

