

Compatibility

- 564 25K
- 564 CF 25K
- 564 35K
- 564 CF 35K

Packing List

- Rear Fireback
- (2) Side Firebacks



The firebacks are fragile (especially the rear fireback). Take care when handling the firebacks.

WARNING

Turn off gas to the appliance and make sure it has fully cooled prior to conducting service.

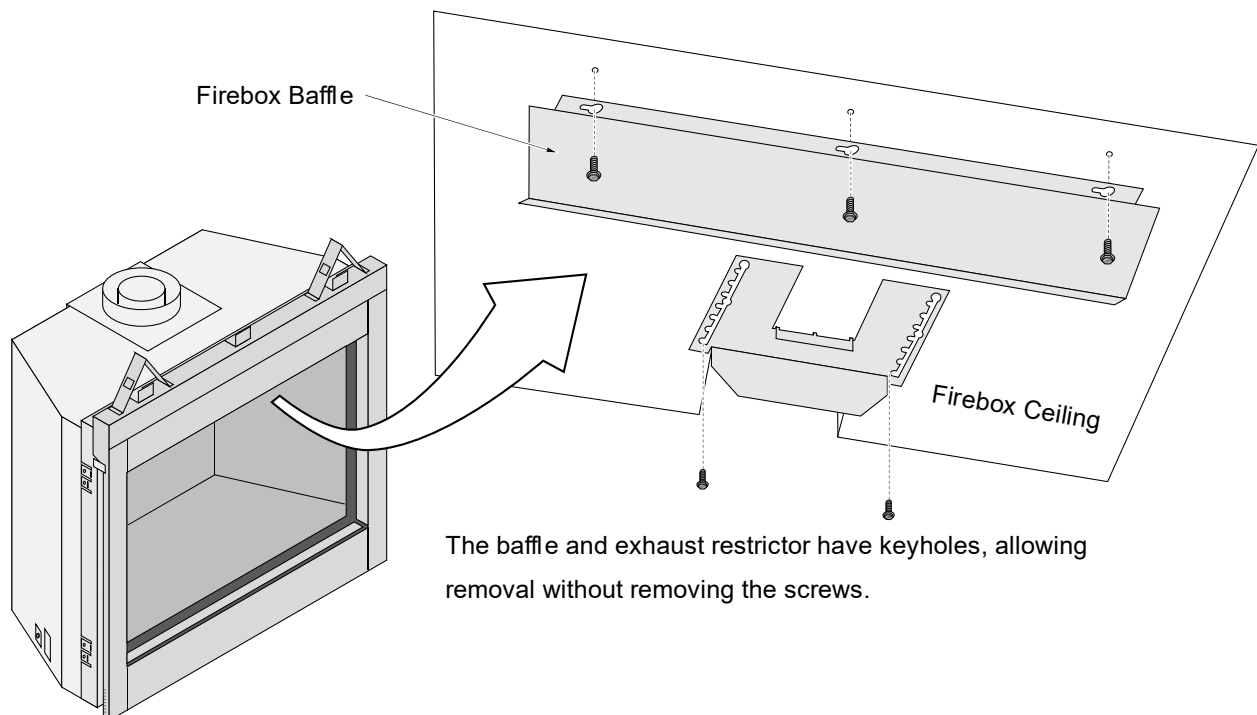
Standard and CleanFace Fireback Installation

NOTE On two-sided firebacks make sure to use the desired pattern.

NOTE: If using an optional fireback install the kit prior to performing any other firebox setup.

WARNING: Turn off gas to the appliance and make sure it has fully cooled prior to conducting service.

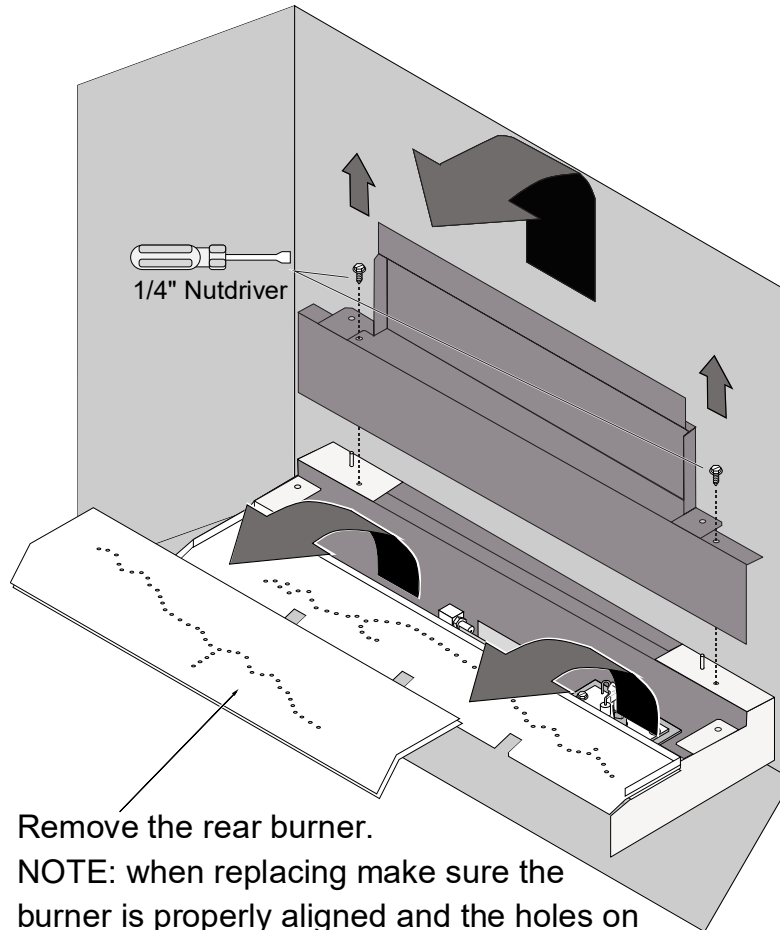
1. Remove the glass frame and logs (see the installation manual for details).
2. Firebox baffle and exhaust restrictor must be removed to install firebacks (replace once firebacks are in place).



564 25K & 35K Fireback Installation

96100191, 96100198, 96100199, 96100200, 96100201, 96100202

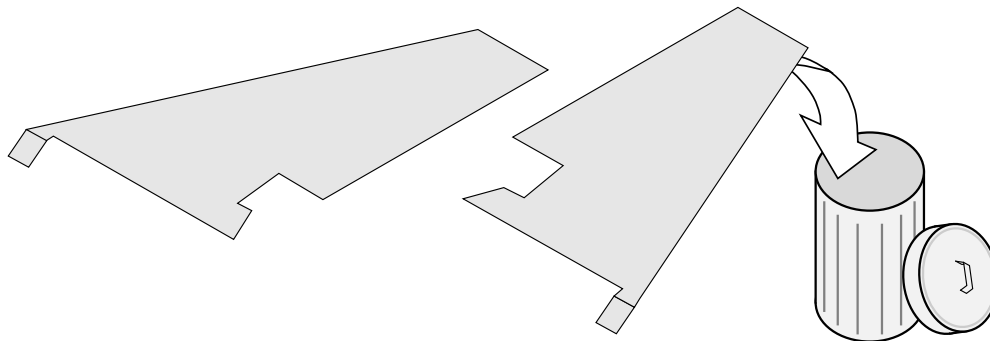
3. Rear Air Deflector (behind the rear log) must be removed (replace after firebacks are in place)



Remove the rear burner.

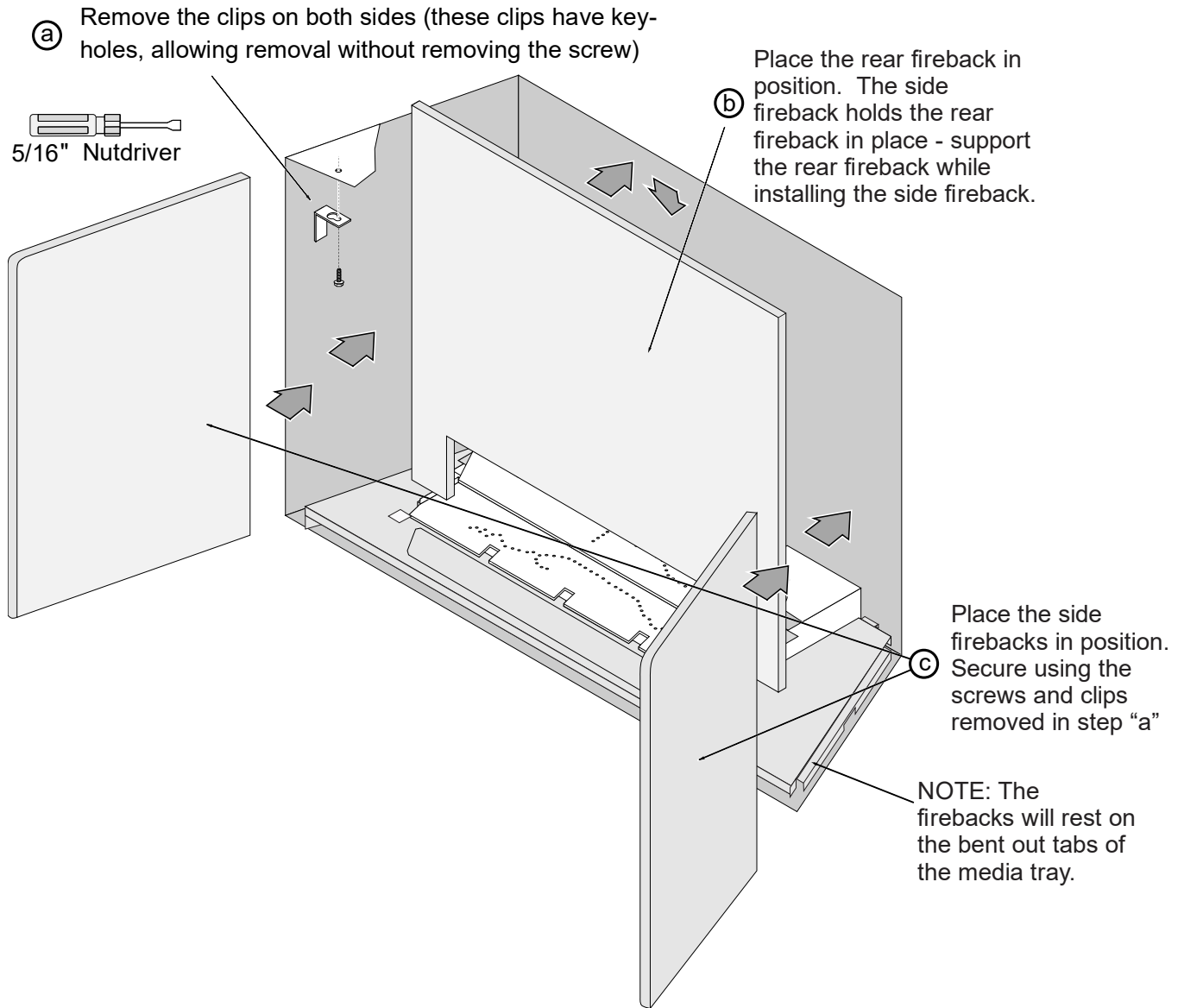
NOTE: when replacing make sure the burner is properly aligned and the holes on the tabs on the burner insert over the pins on the burner stand.

4. Remove and discard the media tray covers



564 25K & 35K Fireback Installation

96100191, 96100198, 96100199, 96100200, 96100201, 96100202



5. Restore the fireplace to the correct configuration