



1-Piece Surround Panel (DVL/33 DVI)

Compatibility

- DVL GSR
- 33 DVI

Part Numbers

- 96100319 – DVL 34" x 44"
- 96100323 – DVL 30.5" x 42"

Packing List

- Surround Panel
- Right and Left Upper Mounting Bracket
- Right and Left Lower Mounting Bracket
- (6) 10-24 Type F Thread-Cutting Screws

Inside Fit Panels

The panels may be cut down in size and placed within the fireplace opening.

Rheostat and On/Off Switch Placement on 33 DVI

Install the rheostat and On/Off switch in the control panel under the firebox (see the Owner's Manual for details).

Fireplace Sizing

When using the 1-piece panel, make sure to accommodate the additional space required inside the fireplace. See the table below for details.

| Fireplace Sizing | Height | Width | Depth | Protrusion onto Hearth |
|------------------|---------|---------|---------|------------------------|
| 3-Piece Panels | 23-3/4" | 31-1/2" | 14-1/2" | 1-1/4" |
| 1-Piece Panel | 24-7/8" | 32-1/2" | 15-3/4" | 0" |

Routing the Power Cord

Because this panel fits flush against the fireplace facing, the panel does not have a notch allowing the power cord to exit the fireplace. We recommend using the insert wiring kit (sku 97200315) to route power to the insert. Otherwise, route the power cord behind the panel to the right side (the panel or fireplace may be notched, if required).

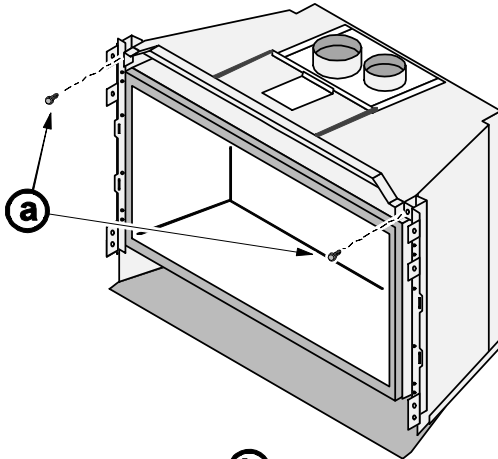


1-Piece Surround Panel (DVL/33 DVI)

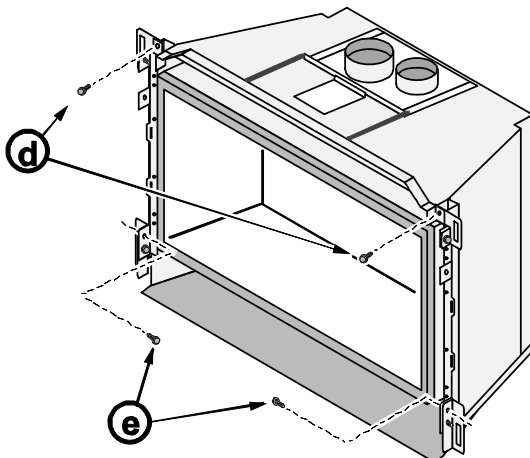
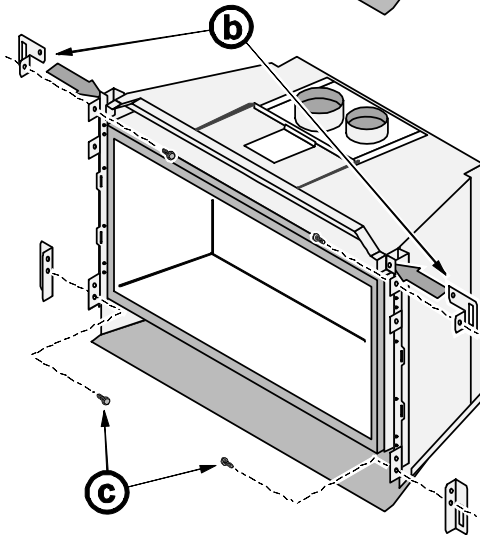
Installation

Before installation the insert should be in place with the gas line and vent attached. Pull the insert out slightly to assist in the installation.

1. Attach the mounting brackets as shown below (NOTE: Remove glass frame prior to installing brackets).



- a. Remove the two screws from the air deflector.
- b. Slide the upper mounting brackets into place. NOTE: The brackets slide under the air deflector. Secure the upper brackets with the included screws.
- c. Attach the lower mounting brackets with two screws (use the lower holes).
- d. Replace the two screws removed in step "a".
- e. Install two screws into the upper holes on the mounting brackets. NOTE: The upper screws keep the brackets from swiveling.





1-Piece Surround Panel (DVL/33 DVI)

2. Attach the surround panel as shown below.

