



TRAVIS INDUSTRIES  
HOUSE OF FIRE

# DVS/DVL EG Surround Panel Installation Instructions

## Compatibility

DVS EG Only (Do <b>NOT</b> use on Non-EG units)			
Desc.	Width	Height	Sku#
Small	38" (966mm)	25" (635mm)	96100361
Large	40" (1016mm)	28-1/2" (724mm)	96100362

DVL EG Only (Do <b>NOT</b> use on Non-EG units)			
Desc.	Width	Height	Sku#
Small	42" (1067mm)	30-1/2" (775mm)	96100364
Large	44" (1118mm)	34" (867mm)	96100365

## Packing List

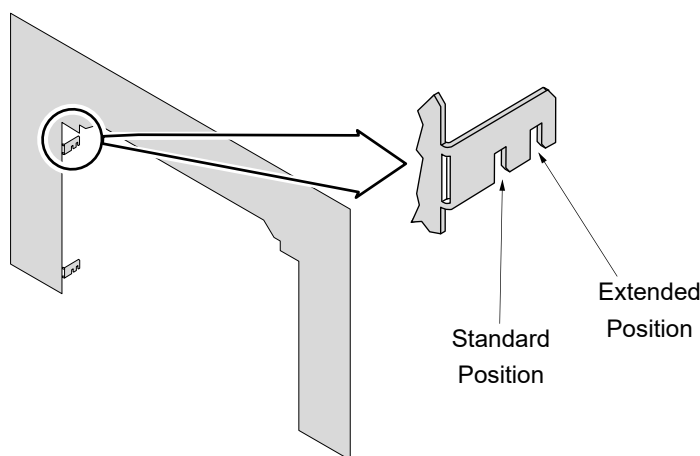
- Surround Panel

## Panel Position - Standard vs. Extended

This surround panel has 2 notches. Notch position is determined by the face being used (see below)

**Standard Position** – All faces with the exception of arched faces use the standard position notch. If you are uncertain, use the standard position.

**Extended Position** – Used only for arched faces. The extended position allows room for the screen and eliminates the 1/2" gap to the panel. The extended position notch positions the insert 1/2" farther into the fireplace cavity.



## Inside Fit Panels

The panels may be cut down in size and placed within the fireplace opening.

## Routing the Power Cord

Because this panel fits flush against the fireplace facing, the panel does not have a notch allowing the power cord to exit the fireplace. We recommend using the insert wiring kit (sku 97200315) to route power to the insert. Otherwise, route the power cord behind the panel to the right side (the panel or fireplace may be notched, if required).



# DVS/DVL EG Surround Panel Installation Instructions

## Installation

Before installation the insert should be in place with the gas line and vent attached. Pull the insert out slightly to assist in the installation.

### Ember-Glo Only - Panel Installation

Before installation the insert should be in place with the gas line and vent attached. Pull the insert out slightly to assist in the installation.

1. Bend all (4) mounting tabs back 90° (see illustration below). Attach the surround panel as shown below.

